



SERVICE PARTS LIST

BUL. 54-00-0020

IDLEMATIC SPEED CONTROL KIT

REVISED BUL.

DATE
April '79

Catalog No.

48-72-0010

WIRING INSTRUCTIONS

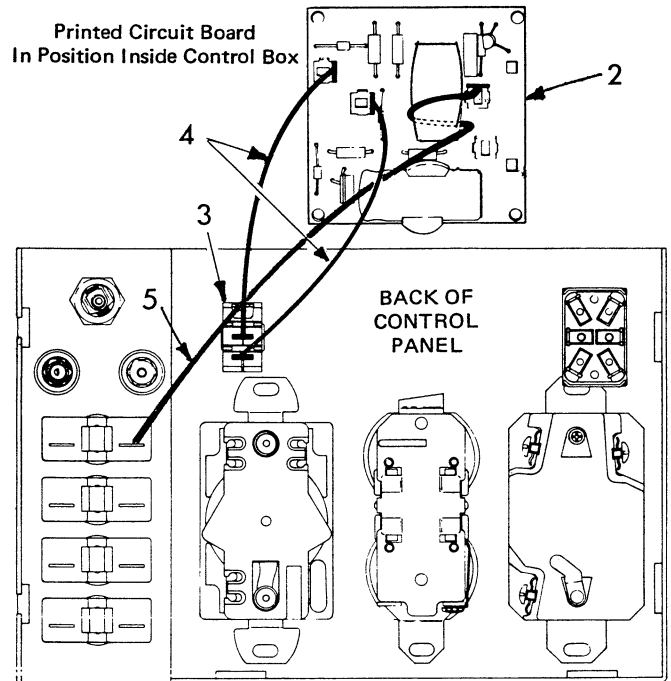
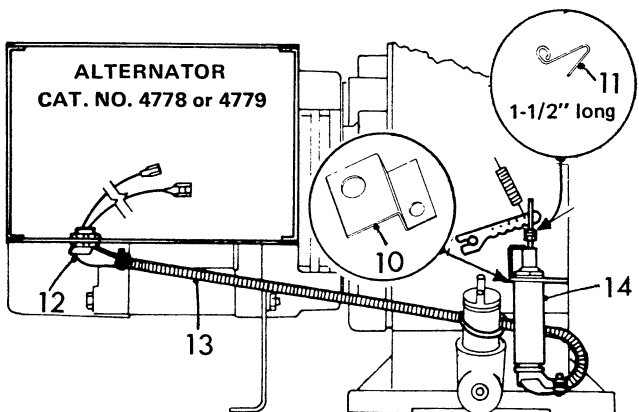
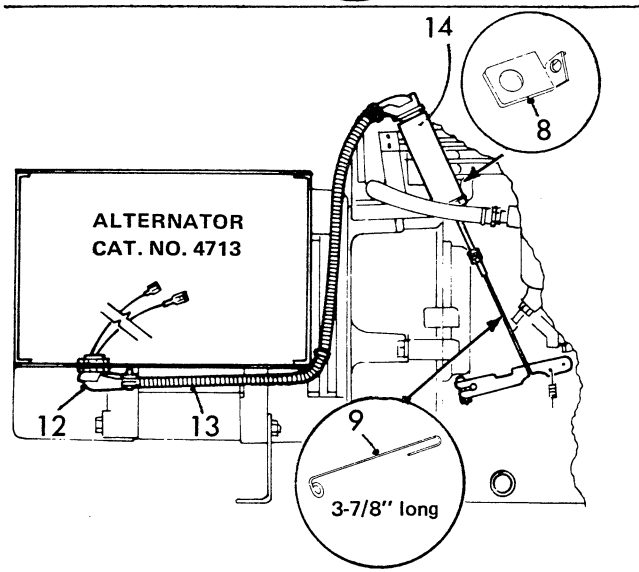
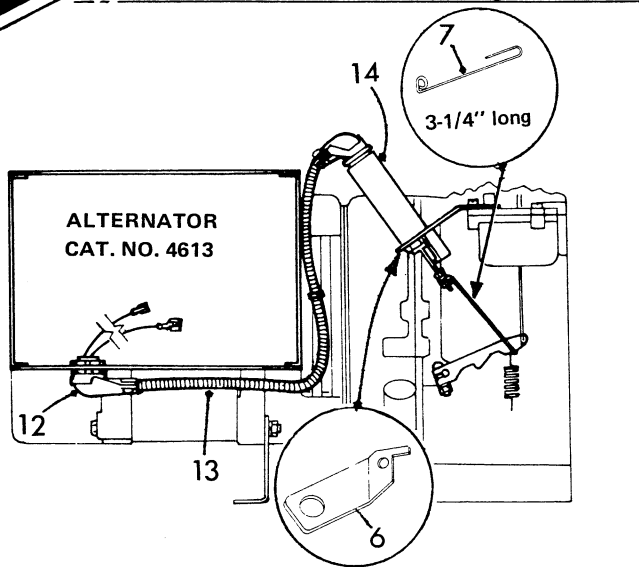


FIG.	PART NO.	DESCRIPTION OF PART	NO. REQ.
1	48-72-0010	Idlematic Speed Control Kit (Includes Fig. Nos. 2 Thru 22)	(1)
2	22-09-0225	Printed Circuit Board	(1)
3	23-66-1135	Toggle Switch (On-Off)	(1)
4	23-94-9675	6" Lead Assembly	(2)
5	23-94-9680	9" Lead Assembly	(1)
6	42-36-1150	Solenoid Bracket (Cat. No. 4613 Only)	(1)
7	44-14-0120	Solenoid Linkage (Cat. No. 4613 Only)	(1)
8	42-36-1140	Solenoid Bracket (Cat. No. 4713 Only)	(1)
9	44-14-0110	Solenoid Linkage (Cat. No. 4713 Only)	(1)
10	42-36-1130	Solenoid Bracket (Cat. No. 4778 or 4779)	(1)
11	44-14-0100	Solenoid Linkage (Cat. No. 4778 or 4779)	(1)
12	22-56-0060	90° Connector	(2)
13	22-54-0060	Flex-Conduit - 24" Long	(1)
14	23-84-0070	Solenoid Assembly	(1)

PARTS NOT SHOWN

15	06-81-4552	6-32x 1/2 Rd. Hd. Machine Screw	(4)
16	06-97-3175	No. 6 Lockwasher	(4)
17	23-78-0120	Cable Tie (Plastic)	(2)
18	06-97-2730	5/8" Lockwasher	(1)
19	06-81-4655	No. 10-32x 7/8 Screw	(1)
20	06-75-0075	1/4-20x 1/2" Hex. Hd. Cap Screw	(1)
21	06-97-3400	No. 10 Lockwasher	(1)
22	06-97-4050	1/4" Lockwasher	(1)