

SERVICE PARTS LIST

BULLETIN NO.
54-34-0250

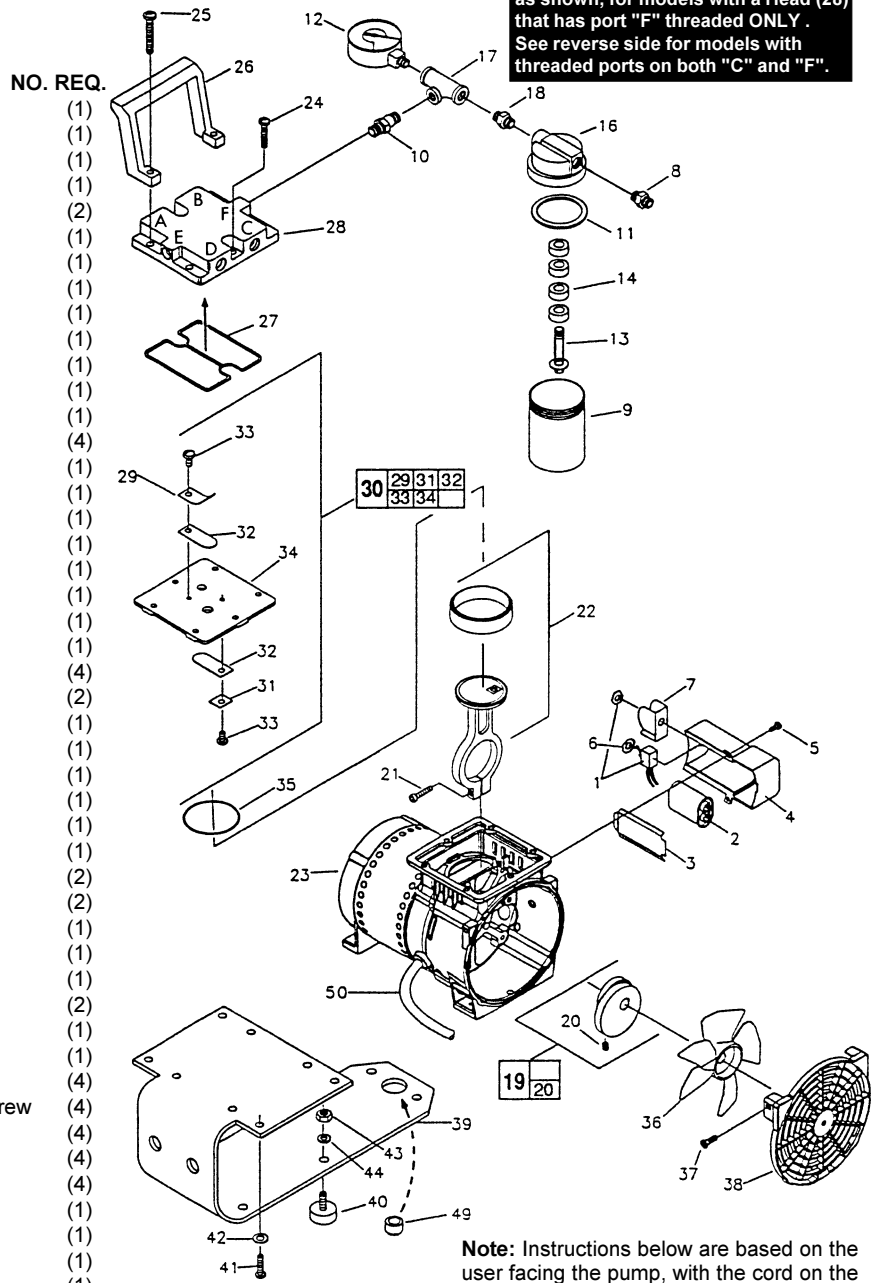
SPECIFY CATALOG NO. AND SERIAL NO. WHEN ORDERING PARTS		REVISED BULLETIN	DATE
VACUUM PUMP ASSEMBLY			Jan. 2001
CATALOG NO. 49-50-0200	SERIAL NUMBER 908A	WIRING INSTRUCTION SEE BELOW	

EXAMPLE:
Component Parts (Small #)
Are Included When Ordering
The Assembly (Large #).



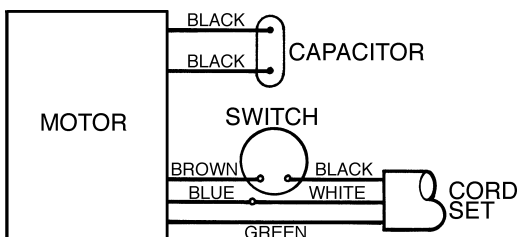
Assemble Vacuum Gauge / Filter Jar as shown, for models with a Head (28) that has port "F" threaded ONLY. See reverse side for models with threaded ports on both "C" and "F".

FIG.	PART NO.	DESCRIPTION OF PART	NO. REQ.
1	23-66-0030	Switch On/Off	(1)
2	22-33-0025	Capacitor	(1)
3	23-16-0010	Insulation Insert	(1)
4	31-15-0010	Capacitor Cover	(1)
5	06-82-2295	8-32 x 3/8" Screw T-20	(2)
6	06-97-0050	Lockwasher	(1)
7	43-54-0025	Switch Guard	(1)
8	43-33-0020	Hose Fitting	(1)
9	42-96-0010	Filter Jar	(1)
10	45-80-0010	Check Valve	(1)
11	43-44-0025	Jar Gasket	(1)
12	43-46-0010	Vacuum Gauge	(1)
13	43-31-0020	Filter Core	(1)
14	43-31-0030	Filter Felt	(4)
16	42-92-0080	Manifold Cover	(1)
17	43-33-0010	Tee Fitting	(1)
18	43-33-0015	Fitting	(1)
19	43-16-0020	Eccentric and Bearing Assembly	(1)
20	06-83-0010	1/4-28 Set Screw	(1)
21	06-75-2105	10-24 x 3/4" Hex Socket Screw	(1)
22	44-94-0010	Connecting Rod Assembly	(1)
23	42-52-0055	Motor End Cap	(1)
24	06-82-5575	10-24 x 7/8" Screw T-25	(4)
25	06-82-5580	10-24 x 1-1/4" Screw T-25	(2)
26	43-62-0015	Handle	(1)
27	34-40-0100	Head Gasket	(1)
28	43-64-0127	Head	(1)
29	-----	Valve Restriant	(1)
30	14-46-0050	Valve Plate Assembly	(1)
31	-----	Valve Keeper Strip	(1)
32	-----	Valve Flapper	(2)
33	-----	6-32 x 3/16" Slotted Head Screw	(2)
34	-----	Valve Plate Kit	(1)
35	34-40-0105	O-Ring	(1)
36	22-84-0025	Fan	(1)
37	06-82-2295	8-32 x 3/8" Screw T-20	(2)
38	43-52-0070	Front Cover Grille	(1)
39	42-36-0015	Bracket	(1)
40	22-90-0020	Vibration Mount Grommet	(4)
41	06-81-1080	10-24 x 5/8" Hex Head Machine Screw	(4)
42	06-97-0060	Lockwasher	(4)
43	06-55-0100	Hex Nut	(4)
44	06-97-0055	Lockwasher	(4)
45	14-37-0122	Hose Assembly	(1)
46	43-75-0020	Hose	(1)
47	43-33-0020	Hose Fitting	(1)
48	42-90-0050	Female Coupling	(1)
49	45-36-0050	Spacer	(1)
50	-----	Cord Set	(1)
51	10-20-6900	Warning Label-Filter Jar (Not Shown)	(1)
52	10-20-6905	Warning Label-Head (Not Shown)	(1)
53	10-20-6910	Arrow Decal (Not Shown)	(1)
54	10-20-6920	Warning Label-Capacitor Cover (Not Shown)	(1)
55	12-70-0145	Stator Label (Not Shown)	(1)
56	61-10-0680	Pump Service Tool (Not Shown)	(1)



Note: Instructions below are based on the user facing the pump, with the cord on the left side and the capacitor on the right side.

1. Indent on top of connecting rod assembly, #22 (44-94-0010), should face toward fan.
2. Clamp ring on fan, #36 (22-84-0025), must face in towards motor.
3. Ribs on valve plate assembly, #30 (14-46-0050), will face down toward connecting rod assembly, #22 (44-94-0010), Valve on top side should be closer to cord side than capacitor side.
4. The letter "E" on the head, #28 (43-64-0125), should be on the cord side of the pump for proper orientation.



MILWAUKEE ELECTRIC TOOL CORPORATION
13135 W. LISBON RD., BROOKFIELD, WI 53005



SERVICE PARTS LIST

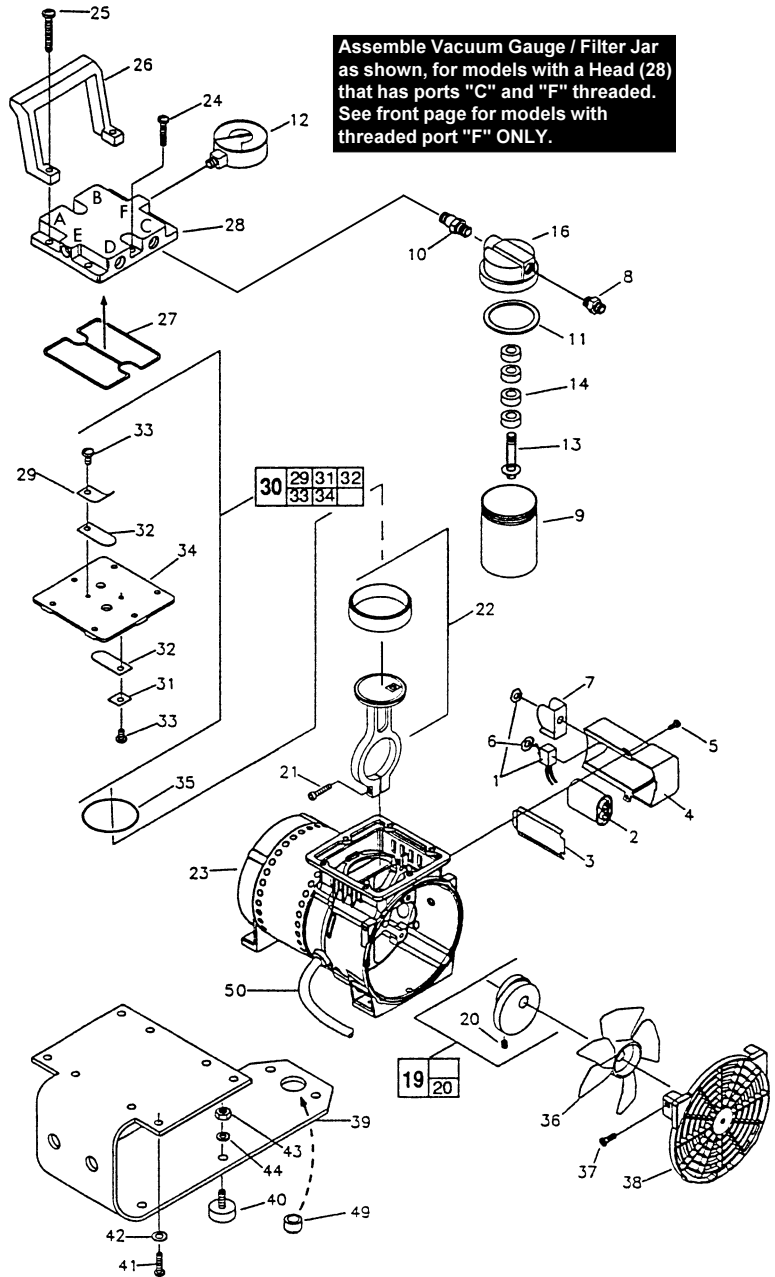
BULLETIN NO.

SPECIFY CATALOG NO. AND SERIAL NO. WHEN ORDERING PARTS		REVISED BULLETIN	DATE
VACUUM PUMP ASSEMBLY			
CATALOG NO. 49-50-0200	SERIAL NUMBER 908A	WIRING INSTRUCTION SEE BELOW	

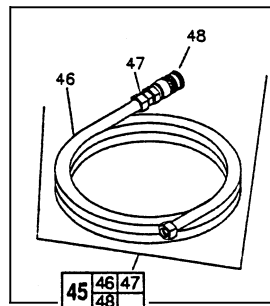
EXAMPLE:
 Component Parts (Small #)
 Are Included When Ordering
 The Assembly (Large #).



FIG.	PART NO.	DESCRIPTION OF PART	NO. REQ.
1	23-66-0030	Switch On/Off	(1)
2	22-33-0025	Capacitor	(1)
3	23-16-0010	Insulation Insert	(1)
4	31-15-0010	Capacitor Cover	(1)
5	06-82-2295	8-32 x 3/8" Screw T-20	(2)
6	06-97-0050	Lockwasher	(1)
7	43-54-0025	Switch Guard	(1)
8	43-33-0020	Hose Fitting	(1)
9	42-96-0010	Filter Jar	(1)
10	45-80-0010	Check Valve	(1)
11	43-44-0025	Jar Gasket	(1)
12	43-46-0010	Vacuum Gauge	(1)
13	43-31-0020	Filter Core	(1)
14	43-31-0030	Filter Felt	(4)
16	42-92-0080	Manifold Cover	(1)
19	43-16-0020	Eccentric and Bearing Assembly	(1)
20	06-83-0010	1/4-28 Set Screw	(1)
21	06-75-2105	10-24 x 3/4" Hex Socket Screw	(1)
22	44-94-0010	Connecting Rod Assembly	(1)
23	42-52-0055	Motor End Cap	(1)
24	06-82-5575	10-24 x 7/8" Screw T-25	(4)
25	06-82-5580	10-24 x 1-1/4" Screw T-25	(2)
26	43-62-0015	Handle	(1)
27	34-40-0100	Head Gasket	(1)
28	43-64-0127	Head	(1)
29	-----	Valve Restriant	(1)
30	14-46-0050	Valve Plate Assembly	(1)
31	-----	Valve Keeper Strip	(1)
32	-----	Valve Flapper	(2)
33	-----	6-32 x 3/16" Slotted Head Screw	(2)
34	-----	Valve Plate Kit	(1)
35	34-40-0105	O-Ring	(1)
36	22-84-0025	Fan	(1)
37	06-82-2295	8-32 x 3/8" Screw T-20	(2)
38	43-52-0070	Front Cover Grille	(1)
39	42-36-0015	Bracket	(1)
40	22-90-0020	Vibration Mount Grommet	(4)
41	06-81-1080	10-24 x 5/8" Hex Head Machine Screw	(4)
42	06-97-0060	Lockwasher	(4)
43	06-55-0100	Hex Nut	(4)
44	06-97-0055	Lockwasher	(4)
45	14-37-0122	Hose Assembly	(1)
46	43-75-0020	Hose	(1)
47	43-33-0020	Hose Fitting	(1)
48	42-90-0050	Female Coupling	(1)
49	45-36-0050	Spacer	(1)
50	-----	Cord Set	(1)
51	10-20-6900	Warning Label-Filter Jar (Not Shown)	(1)
52	10-20-6905	Warning Label-Head (Not Shown)	(1)
53	10-20-6910	Arrow Decal (Not Shown)	(1)
54	10-20-6920	Warning Label-Capacitor Cover (Not Shown)	(1)
55	12-70-0145	Stator Label (Not Shown)	(1)
56	61-10-0680	Pump Service Tool (Not Shown)	(1)



Assemble Vacuum Gauge / Filter Jar as shown, for models with a Head (28) that has ports "C" and "F" threaded. See front page for models with threaded port "F" ONLY.



Note: Instructions below are based on the user facing the pump, with the cord on the left side and the capacitor on the right side.

1. Indent on top of connecting rod assembly, #22 (44-94-0010), should face toward fan.
2. Clamp ring on fan, #36 (22-84-0025), must face in towards motor.
3. Ribs on valve plate assembly, #30 (14-46-0050), will face down toward connecting rod assembly, #22 (44-94-0010), Valve on top side should be closer to cord side than capacitor side.
4. The letter "E" on the head, #28 (43-64-0125), should be on the cord side of the pump for proper orientation.

