



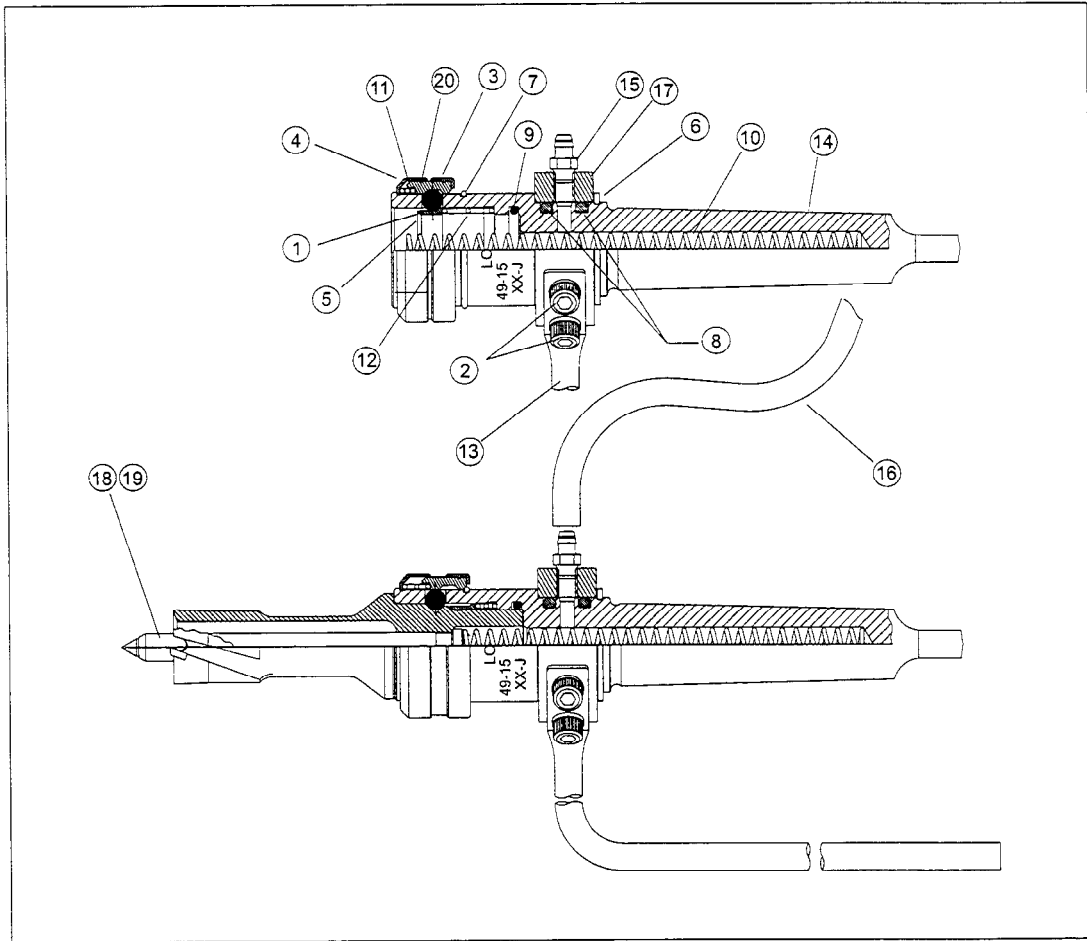
SERVICE PARTS LIST

BULLETIN NO.
54-14-0115

SPECIFY CATALOG NO. AND SERIAL NO. WHEN ORDERING PARTS		REVISED BULLETIN	DATE
ARBOR ASSY. WITH #3 MORSE TAPER SHANK			Jan. '98
CATALOG NO. 49-57-0014	STARTING SERIAL NO.	WIRING INSTRUCTION	

00 0

EXAMPLE:
Component Parts
(Small #) Are Included
When Ordering The
Assembly (Large #).



Item	Part No.	Description	Qty	Item	Part No.	Description	Qty
1	02-02-0135	Steel Ball, .236 Spherical Dia.	6	11	40-50-0025	Guide Spring	1
2	05-74-0085	Socket HD. Cap Screw, M5 Thread	2	12	40-50-0035	Sleeve Spring	1
3	31-15-0015	Plastic Cover	1	13	42-09-0145	Arbor Arm	1
4	31-15-0020	Spring Cover	1	14	42-30-0375	MT-3 Shank	1
5	31-58-0035	Sleeve	1	15	42-86-0075	Hose Connector	1
6	34-60-0310	Retaining Ring, 1.021 I.D. X .059 Wide	1	16	43-75-0015	Oil Hose	1
7	34-60-0315	Retaining Ring, 1.237 I.D. X .063 Wide	1	17	43-83-0015	Lubricant Inductor	1
8	34-40-0115	"O" Ring, .855 I.D. X 1.131 O.D.	2	18	44-60-0006	Pilot Pin, 6mm Carbide Tip	1
9	34-60-0115	"O" Ring, .820 I.D. X 1.009 O.D.	1	19	44-60-0008	Pilot Pin, 8mm Carbide Tip	1
10	40-50-0015	Pilot Pin Spring	1	20	44-90-0055	Release Ring	1
				21	49-96-0350	4mm Hex Wrench (not shown)	1