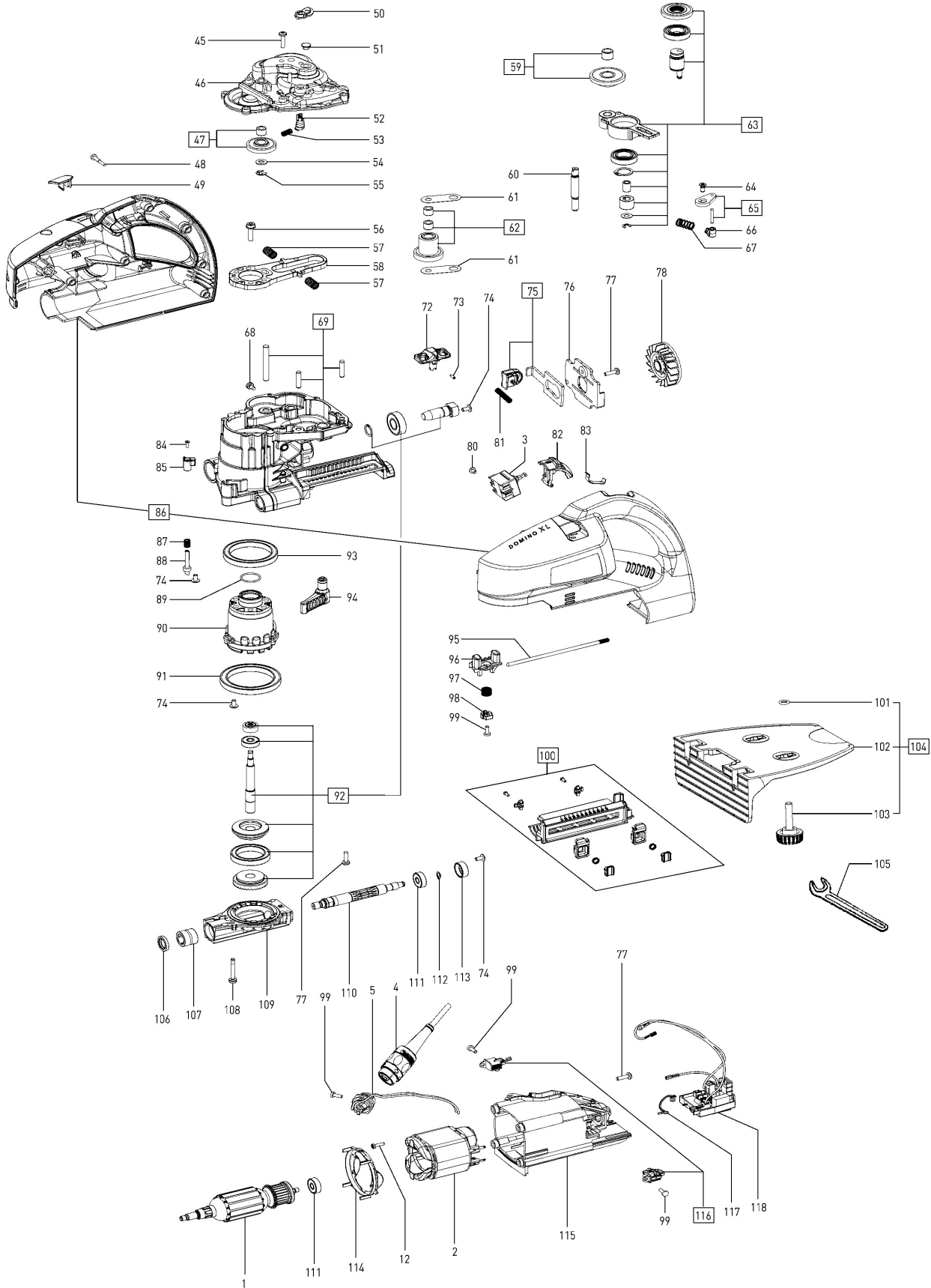
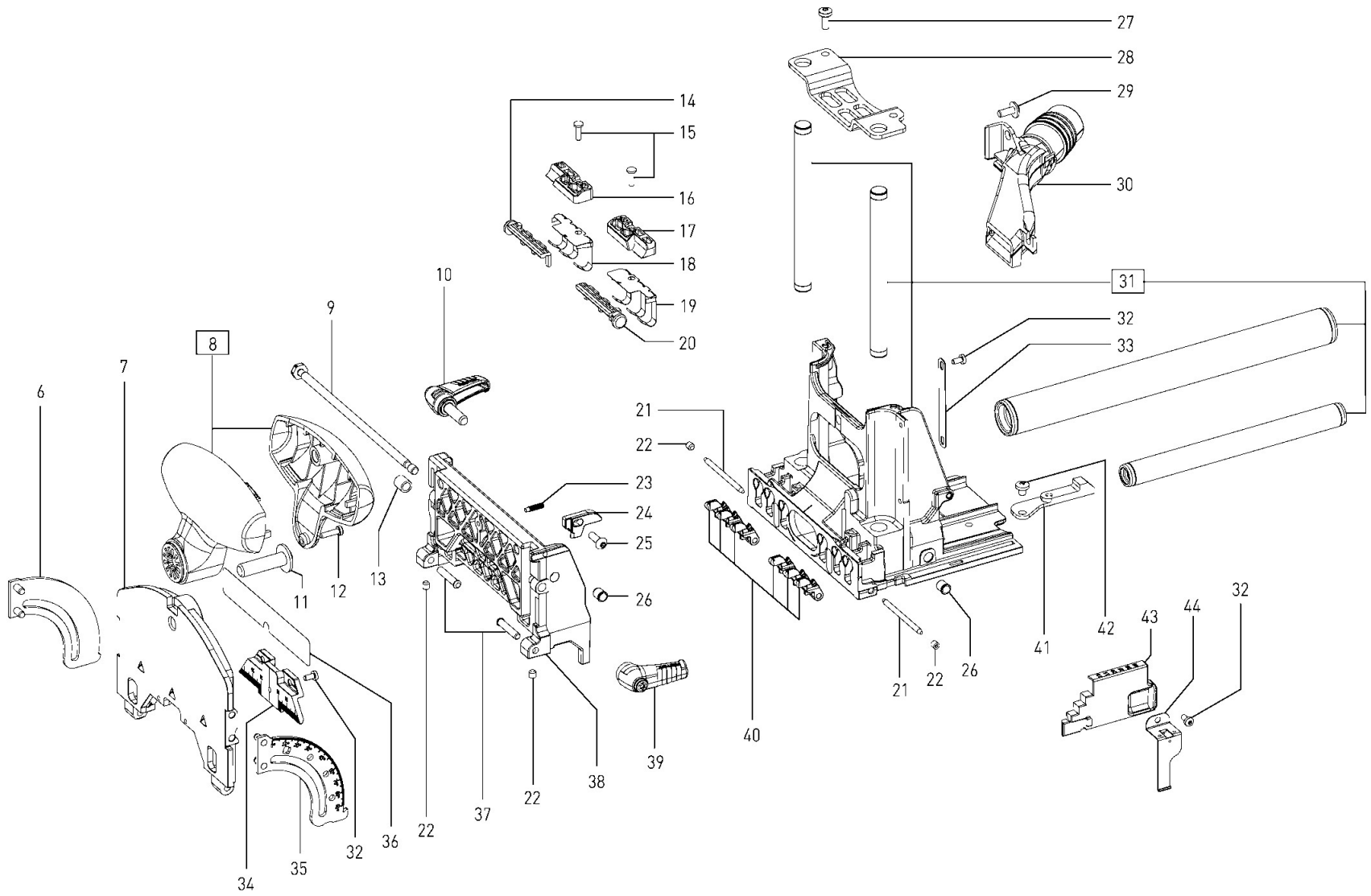


499248 - DF 700 EQ 120V





Pos	Part No.	Description	Quantity
1	498770	Armature	1
2	10008029	Field assembly	1
3	451383	Switch	1
4	---	See catalogue	1
5	700021	Socket housing	1
6	493779	R - segment	1
7	10001284	Base	1
8	498695	Grip	1
9	478995	Threaded pin	1
10	498316	Clamp lever	1
11	401076	Screw	1
12	219069	Raised-head screw 3,0 x 12 mm	3
13	401111	Threaded insert	1
14	478981	Lock-out mechanism	1
15	10003527	Raised-head screw	2
16	700563	Cover	1
17	700564	Cover	1
18	478982	Spring plate	1
19	478979	Spring plate	1
20	478978	Lock-out mechanism	1
21	479264	Cylinder pin	2
22	401104	Threaded pin	2
23	203387	Threaded pin M4 x 12	1
24	10000925	Indicator	1
25	470216	Raised-head screw M4 x 12	1
26	400286	Pressure clamping element	2
27	228582	Raised-head screw M4 x 10	2
28	478973	Cover	1
29	401117	Round-head screw	2
30	10027826	Extractor connector	1
31	499260	Base	1
32	400983	Raised-head screw	5
33	478966	Scale	1
34	701458	Scale	1
35	10001040	Segment	1
36	701872	Label	1
37	469141	Pin	2
38	497651	Slide	1
39	498315	Clamp lever	1
40	702486	Stop	6
41	10002459	Tie rod	1
42	228616	Raised-head screw M4 x 5	1
43	478969	Slide	1
44	478970	Holding plate	1
45	400904	Raised-head screw M4 x 18	8
46	479956	Gear cover	1
47	497305	Cylinder gear	1
48	473901	Raised-head screw 3,5 x 22 mm	9
49	479661	Cover	1

50	700376	Indicator washer	1
51	10001078	Plug	1
51	479612	Pressure spring	1
52	700374	Swivel arm	1
53	700375	Pressure spring	1
54	236065	Shim ring	1
55	208623	Washer	1
56	700032	Screw	6
57	479606	Pressure spring	2
58	701282	Connecting member	1
59	497307	Cylinder gear	1
60	479628	Axle	1
61	700178	Screen	2
62	497306	Cylinder gear	1
63	498700	Bearing plate	1
64	400681	Flat head screw M4 x 10	1
65	497344	Sheet metal	1
66	479637	Spring holder	1
67	479639	Pressure spring	1
68	10001832	Cheese head screw	1
69	498699	Gear housing	1
72	479649	Slide	1
73	400882	Threaded pin	1
74	401063	Cheese-head screw	7
75	497347	Slide	1
76	479610	Cover	1
77	445566	Raised-head screw M4 x 14	8
78	700718	Fan wheel	1
80	455593	Raised-head screw M3,5 x 5	1
82	479674	Switch lever	1
83	700658	Catch spring	1
84	401127	Flat head screw	1
85	479619	Cap	1
86	498698	Housing	1
87	436528	Pressure spring	1
88	479618	Lock bolt	1
89	200942	O-ring	1
90	703502	Inside pot	1
91	401073	Ball bearing	1
92	205159	Gear	1
93	401072	Ball bearing	1
94	700505	Lever	1
95	479656	Tappet	1
96	479650	Catch	1
97	715027	Pressure spring	1
98	700458	Support	1
99	219031	Raised-head screw 3,5 x 10 mm	5
100	497593	Cover	1
101	200911	O-ring	2
102	469159	Stop angle	1
103	469620	Clamping screw	2

104	498885	Stop angle	1
105	401081	Open ended spanner	1
106	700027	Sealing ring	1
107	401057	Needle bearing	1
108	400094	Raised-head screw M4 x 30	8
109	703503	Spindle housing	1
110	201684	Cutter spindle	1
111	228672	Ball bearing	2
112	200616	Snap ring	1
113	479644	Cover	1
114	479698	Air guide washer	1
115	700020	Motor housing	1
116	498978	Carbon set	1
117	xxx	No longer available	1
118	497468	Electronic	1
9999	xxx	No longer available	1