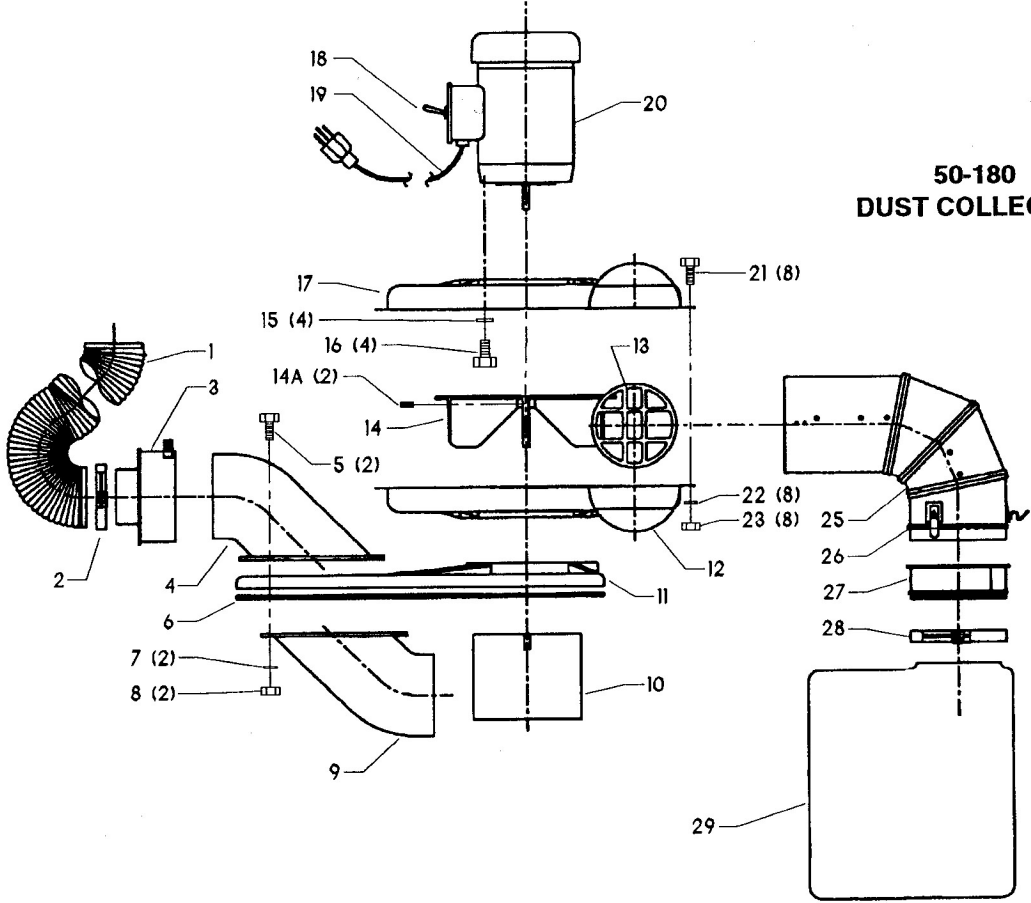


50-180 DUST COLLECTOR



NOTE:
BLOWER DISCHARGE GUARD (REF NO 13) MUST BE IN POSITION AT ALL TIMES