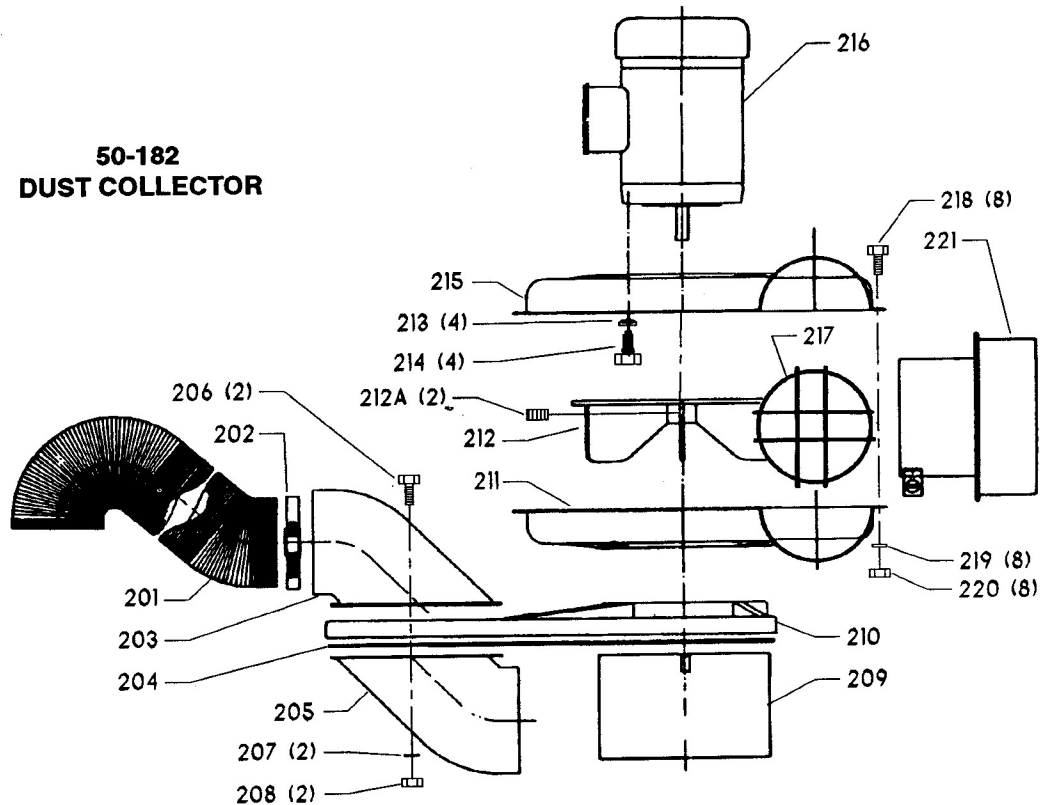


**50-182
DUST COLLECTOR**



NOTE:

BLOWER DISCHARGE GUARD (REF NO 217) MUST BE IN POSITION AT ALL TIMES