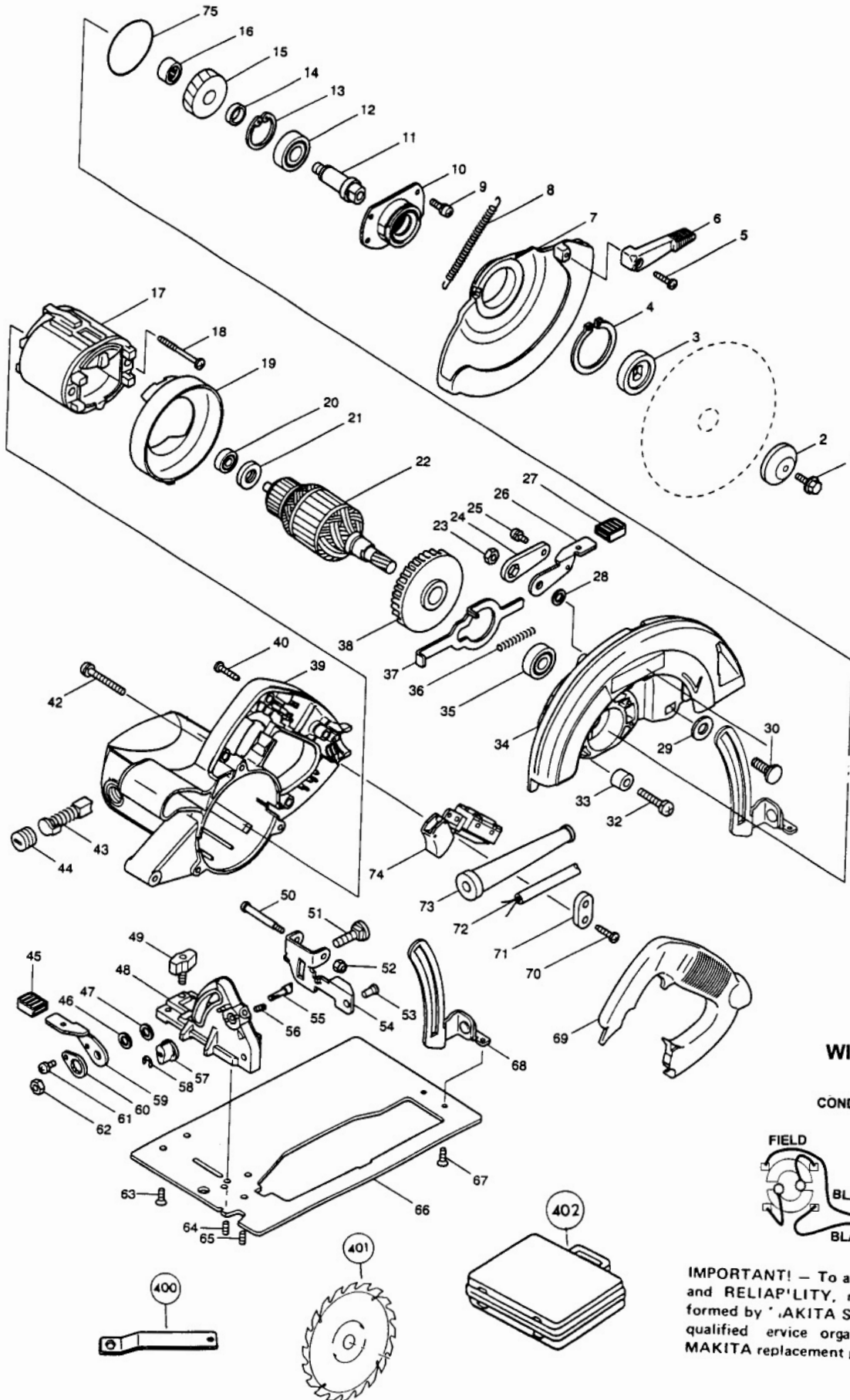


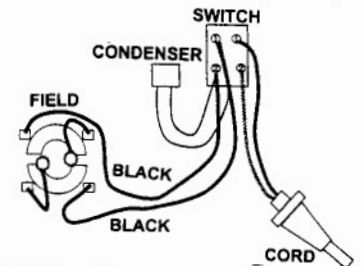


7-1/4"(185MM) CIRCULAR SAW

MODEL 5007NLK



WIRING DIAGRAM



IMPORTANT! — To assure product SAFETY and RELIABILITY, repairs should be performed by MAKITA Service Centers or other qualified service organizations. Always use MAKITA replacement parts.

Fig.	Part No.	Qty. Used	Description	Fig.	Part No.	Qty. Used	Description
1	265315-4	1	HEX. F. HEAD BOLT M8X20	40	265995-6	4	TAPPING SCREW 4X18
2	224275-9	1	OUTER FLANGE 40	42	911273-9	3	PAN HEAD SCREW M5X50
3	224151-7	1	INNER FLANGE 40	43	181047-4	1	CARBON BRUSH CB-154
4	961201-4	1	RETAINING RING S-42	44	643650-4	2	BRUSH HOLDER CAP 6.5-13.5
5	266034-5	1	TAPPING SCREW CT 4X16	45	421746-9	1	RUBBER CAP
6	417290-2	1	LEVER	46	941201-0	1	FLAT WASHER 8
7	317371-1	1	SAFETY COVER	47	941201-0	1	FLAT WASHER 8
8	231806-7	1	TENSION SPRING 4	48	317372-9	1	ANGULAR PLATE
9	911126-2	4	PAN HEAD SCREW M4X16	49	251858-2	1	SCREW M6X15
10	316700-5	1	BEARING BOX	50	265075-8	1	PAN HEAD SCREW M5
11	324045-7	1	SPINDLE	51	266253-3	1	CAP S. NECK BOLT M8X30
12	211228-7	1	BALL BEARING 6202DDW	52	252103-8	1	HEX. LOCK NUT M5-8
13	962153-2	1	RETAINING RING R-35	53	256442-8	1	SHOULDER PIN 6-7
14	257064-7	1	RING 15	54	344883-1	1	ANGULAR GUIDE
15	226532-1	1	HELICAL GEAR 39	55	324027-9	1	STOPPER PIN
16	212052-1	1	NEEDLE BEARING 1010	56	266180-4	1	SCREW M5X12
17	596221-5	1	FIELD ASS'Y 115V (INCL. 2 EA. RING TERMINAL 654020-2, CONNECTOR 34137 654553-7)	57	417264-3	1	DIAL
18	266046-8	2	TAPPING SCREW 5X50	58	961017-7	1	STOP RING E-3
19	417260-1	1	BAFFLE PLATE	59	344896-2	1	LEVER PLATE
20	210005-4	1	BALL BEARING 608DDW	60	344906-5	1	LOCK PLATE
21	681625-5	1	INSULATION WASHER	61	911108-4	1	PAN HEAD SCREW M4X8
22	516831-2	1	ARMATURE ASS'Y 115V (INCL. FIG. 20,21,35,38)	62	252154-1	1	HEX. NUT M8-13
23	252154-1	1	HEX. NUT M8-13	63	912212-2	4	C.SUNK HEAD SCREW M5X12
24	343458-3	1	LOCK PLATE	64	266180-4	1	SCREW M5X12
25	911108-4	1	PAN HEAD SCREW M4X8	65	266180-4	1	SCREW M5X12
26	344885-7	1	LEVER PLATE	66	344882-3	1	BASE
27	421746-9	1	RUBBER CAP	67	912107-9	2	C.SUNK HEAD SCREW M4X8
28	941201-0	1	FLAT WASHER 8	68	151942-2	1	DEPTH GUIDE COMPLETE
29	267113-2	1	FLAT WASHER 12	69	417259-6	1	HANDLE COVER
30	266254-1	1	CAP S. NECK BOLT M8X24	70	265995-6	2	TAPPING SCREW 4X18
32	251247-1	1	PAN HEAD SCREW M6X20	71	687052-4	1	STRAIN RELIEF
33	262502-6	1	RUBBER SLEEVE 6	72	664463-0	1	P. S. CORD AWG#14-2-2.5
34	152630-4	1	BLADE CASE COMPLETE (INC. 1 EA. O RING 32 213459-4)	73	682564-2	1	CORD GUARD
35	211129-9	1	BALL BEARING 6201DDW	74	651162-3	1	SWITCH
36	233264-3	1	COMPRESSION SPRING 5	75	213621-1	1	O RING 46
37	344884-9	1	SHAFT LOCK				
38	240003-4	1	FAN 80				
39	152631-2	1	MOTOR HOUSING CPL. (INC. 2 EA. BRUSH HOLDER 6.5-13.5 643660-1)				
				ACCESSORIES			
				400	782016-4	1	OFFSET WRENCH 13
				401	A-90940	1	7-1/4" T.C.T SAW BLADE 24T
				402	824592-3	1	PLASTIC TOOL CASE