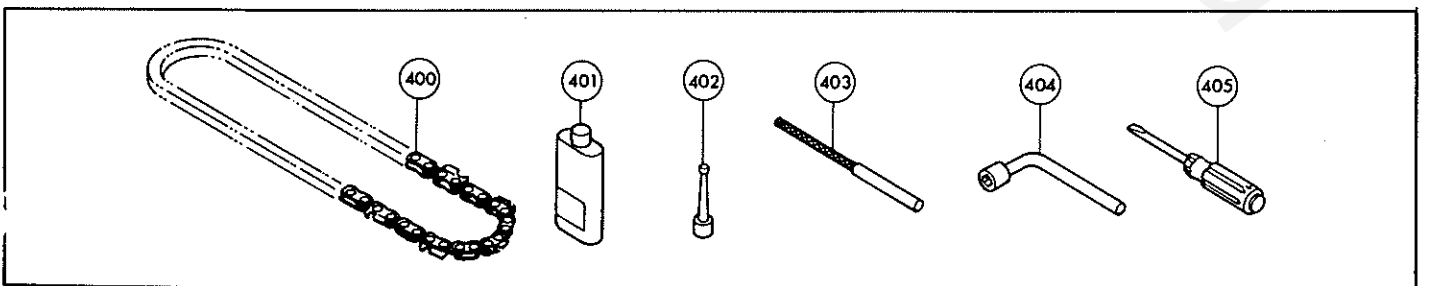
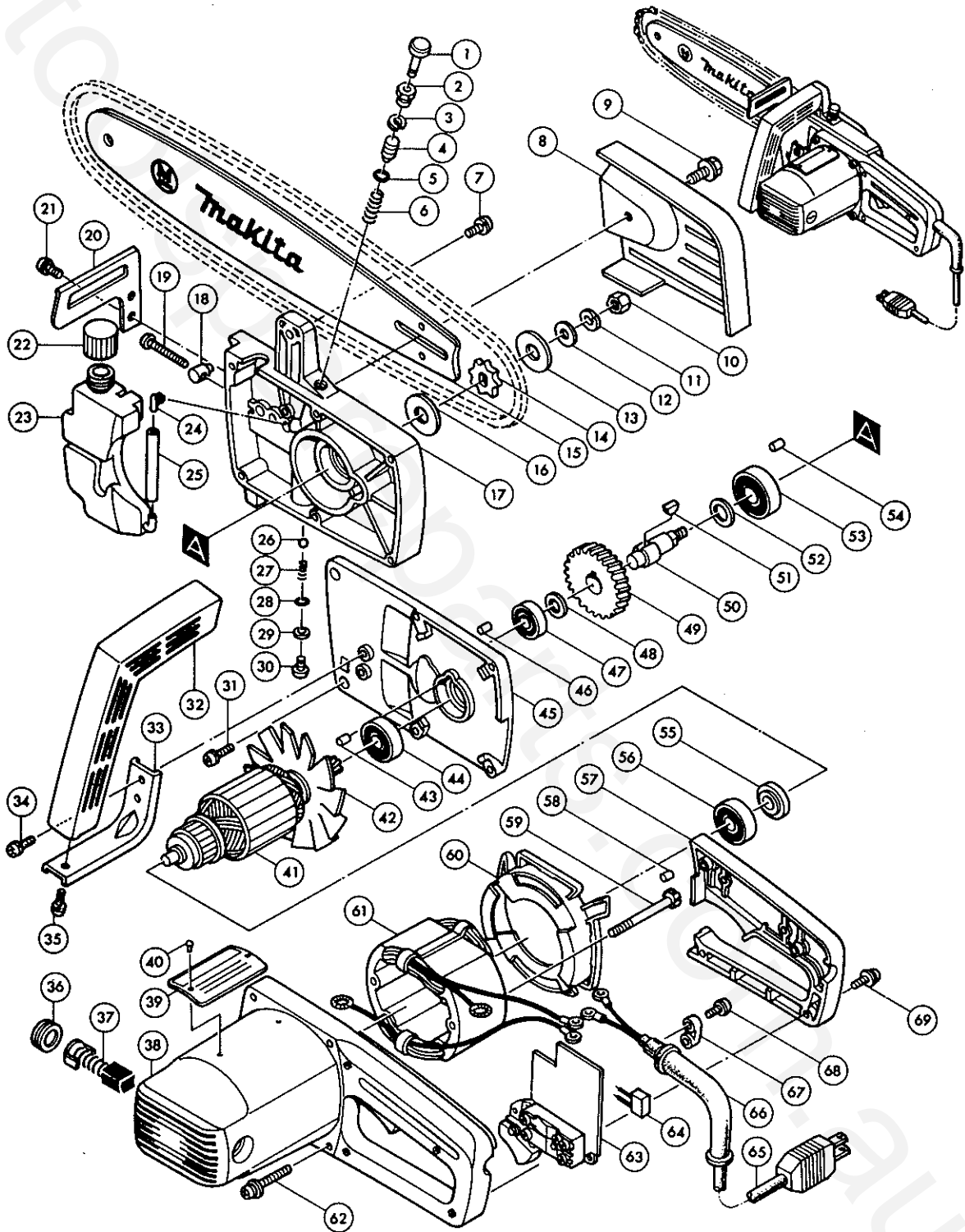




CHAIN SAWS

335 mm (13 1/8") Model 5014B
405 mm (16") Model 5016B



ITEM NO.	PART NO.	NO. USED	DESCRIPTION	ITEM NO.	PART NO.	NO. USED	DESCRIPTION
MACHINE				MACHINE			
1	323585-2	1	Oil Button	41		1	ARMATURE ASSEMBLY (Assembled Items 41, 42, 44, 55 & 56)
2	252032-5	1	H. Nut M12-13				100 V., 115 V. - 130 V.
3	961011-9	1	Stop Ring E-4	514555-4			200 V., 220 V.
4	323583-6	1	Piston	514557-0			230 V. - 250 V.
5	213003-7	1	O Ring 6				
6	231202-9	1	Compression Spring 7	42	241093-0	1	Fan 97
7	911221-8	1	P. H. Screw M5x16	43	263005-3	1	Rubber Pin 6
8	345160-4	1	Chain Cover	44	211106-1	1	Ball Bearing 6201LLB
9	251697-0	1	H. F. H. Bolt M8x17	45	312968-1	1	Gear Housing Cover
10	252043-0	1	H. Nut M8-13	46	263002-9	1	Rubber Pin 4
11	942201-3	1	S. Washer 8	47	211101-1	1	Ball Bearing 6001LLB
12	941201-0	1	F. Washer 8	48	253052-2	1	F. Washer 12
13		1	F. Washer 12	49	221636-4	1	Helical Gear 53
	253753-2		For Model 5014B	50	325550-7	1	Spindle
	253813-0		For Model 5016B	51	254032-1	1	Woodruff Key 5
14		1	Sprocket	52	253147-1	1	F. Washer 15
	221504-1		9 For Model 5014B	53	211206-7	1	Ball Bearing 6202LLB
	221514-8		6 For Model 5016B	54	263005-3	1	Rubber Pin 6
15		1	Guide Bar	55	681607-7	1	Insulation Washer
	345159-9		For Model 5014B	56	211068-3	1	Ball Bearing 6200LB
	341650-5		For Model 5016B	57	411461-3	1	Handle Cover
16		1	F. Washer 12	58	263002-9	1	Rubber Pin 4
	253753-2		For Model 5014B	59	925288-0	2	H. Bolt M5x65
	253813-0		For Model 5016B	60	411462-1	1	Baffle Plate
17	156437-0	1	Gear Housing	61		1	FIELD ASSEMBLY (With Garter Spring 654020-2 x 2)
18	325549-2	1	Adjust Pin				100 V.
19	251426-1	1	(-) Screw M5x40		524505-1		115 V. - 130 V.
20	341383-2	1	Protector		524506-9		200 V.
21	911211-1	2	P. H. Screw M5x12 (With Washer)		524507-7		220 V.
22		1	Cap		524508-5		230 V. - 250 V.
	155295-1				524509-3		
	155294-3		For France	62	911268-2	4	P. H. Screw M5x45
23	242503-0	1	Oil Vessel	63		1	Switch
	133022-6		PIPE ASSEMBLY (Assembled Items 24 & 25)		651022-9		Single Pole (Without Lock Button) NPAH2-2S
24	412025-6	1	Pipe 4		651023-7		Single Pole (With Squared Washer & Without Lock Button) HPAH2-2S
25	412030-3	1	Tube 3		651103-9		Double Pole (Without Lock Button) RPAHR-3W-N For SECC
26	216008-6	1	Steel Ball 4		651119-4		Double Pole (Without Lock Button) RPAHR-3W-NS
27	231241-9	1	Compression Spring 3				
28	213003-7	1	O Ring 6	64	645006-7	1	Noise Suppressor 100 V. - 250 V.
29	941152-7	1	F. Washer 6	65		1	CORD ASSEMBLY (Assembled Cord, Plug & Cord Guard)
30	911307-8	1	P. H. Screw M6x10				Black-White (With Plug)
31	911231-5	2	P. H. Screw M5x20 (With Washer)		541072-1		Black-White (With French Type Plug)
32	273603-5	1	Grip		556027-3		Black-White (Without Plug)
33	322046-9	1	Grip Holder		545028-6		Blue-Brown (Without Plug)
34	911216-1	2	P. H. Screw M5x14 (With Washer)		548034-0		UL & CSA Listed (SJT Type With Plug)
35	911211-1	1	P. H. Screw M5x12 (With Washer)		551029-4		UL & CSA Listed (SJ Type With Plug)
36	643650-4	2	Brush Holder Cap		551051-1		SEV Listed (With Plug)
37		2	Carbon Brush		554024-3		SAA Listed A-12 Ordinary Duty (With Plug)
	643150-4		CB-150 For 100 V.		546019-0		SAA Listed A-22 Heavy Duty (With Plug) For Australia
	643152-0		CB-152 For 115 V. - 250 V.		546042-5		SAA Listed A-11 Ordinary Duty (With Plug) For New Zealand
38	156438-8	1	Motor Housing (With Brush Holder 643653-8 x 2 & S. Screw M5x8 913206-0 x 2)		546608-1		Draka (With Plug)
39		1	Name Plate		553020-8		Italian Type (With Plug)
	815100-1		For Model 5014B		552540-9		Spanish Type (With Plug)
	815555-0		For Model 5016B		555015-7		
40	953106-2	2	Rivet 0-5				

ITEM NO.	PART NO.	NO. USED	DESCRIPTION	ITEM NO.	PART NO.	NO. USED	DESCRIPTION
MACHINE				ACCESSORIES			
66		1	Cord Guard	400		1	Chain Blade
	682506-6		For SEV Listed Cord		713009-0		14 For Model 5014B
	682503-2		For SAA Listed (A-12 & A-11), Italian Type & Spanish Type Cord		713011-3		16 For Model 5016B
	682505-8		For Black-White, Blue-Brown, UL & CSA Listed (SJT & SJ Type), SAA Listed (A-22) and Draka Cord	401	181117-9	1	Oil Supply
				402	242012-9	1	Nozzle
67		1	Strain Relief	403	744003-1	1	File 4
	687005-3		For SEV Listed Cord	404	782212-4	1	Socket Wrench 13
	687000-3		For Black-White, UL & CSA Listed (SJT Type) Cord	405	783001-0	1	(-) Screwdriver 6
	687001-1		For Blue-Brown, UL & CSA Listed (SJ Type), SAA Listed (A-11, A-12 & A-22) and Italian Type Cord				
	687002-9		For Draka & Spanish Type Cord				
68	911131-9	2	P. H. Screw M4x18 (With Washer)				
69	911153-9	4	P. H. Screw M4x28 (With Washer)				