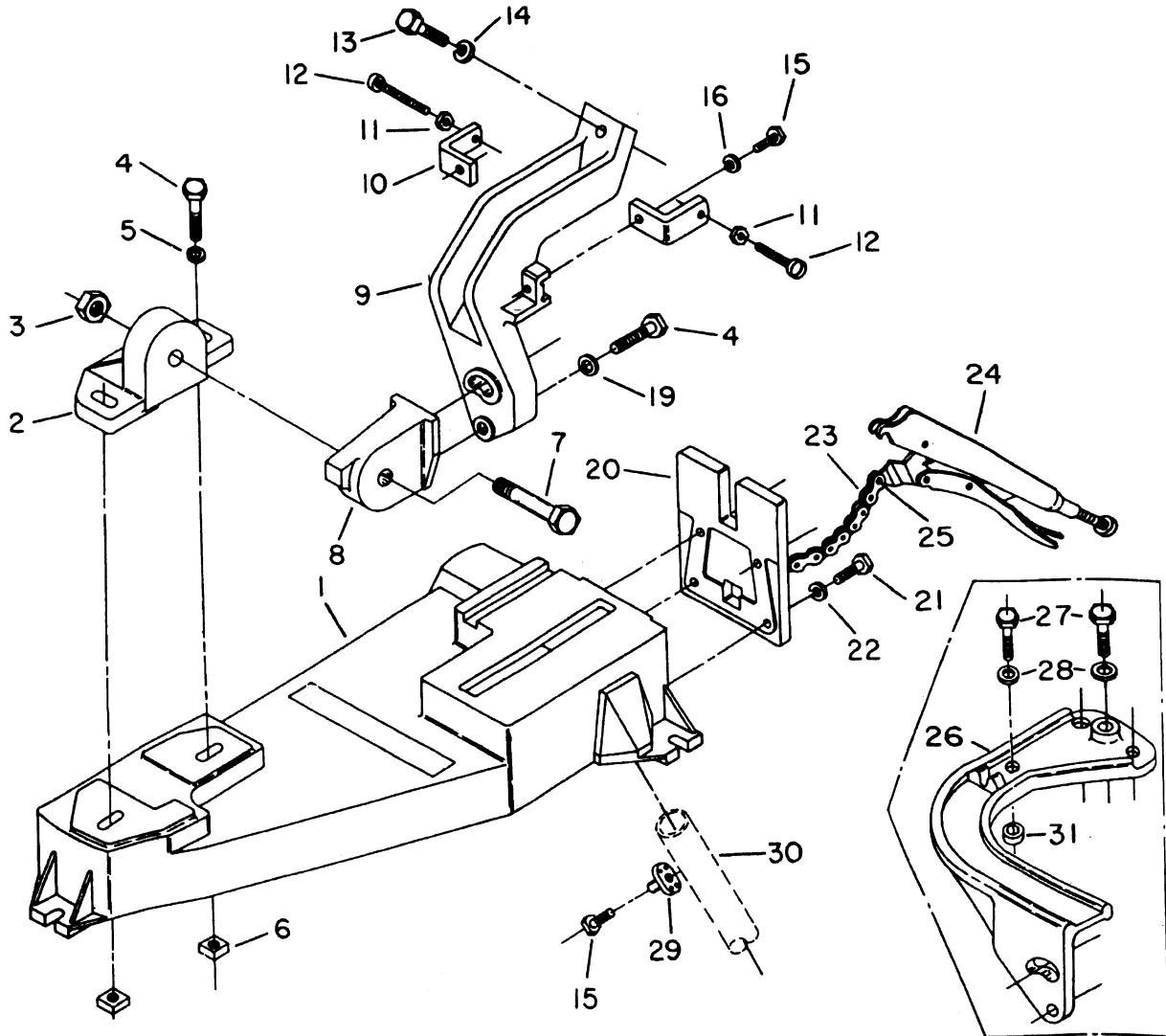


PORTER-CABLE

BANDSAW STAND

5032
5038



Ref. No.	Part No.	Description
1	846240	Base
2	846243	Hinge Bracket
3	822159	Lock Nut
4	826485	Screw
5	803424	Washer
6	828811	Nut
7	846235	Pivot Shaft
8	846242	Hinge
9	846241	Saw Arm (5032)
10	846246	Bracket (5032)
11	804469	Lock Nut (5032)
12	838733	Screw (5032)
13	829716	Screw (5032)
14	857901	Lock Washer (5032)
15	824317	Screw
16	822133	Lock Washer (5032)
19	823968	Washer
20	878751	Stationary Jaw

Ref. No.	Part No.	Description
21	823193	Screw
22	822195	Lock Washer
23	846234	Vise Grip Chain
24	846915	Vise Grip Clamp
25	846221	Chain Anchor
26	864851	Saw Arm (5038)
27	861849	Screw (5038)
28	801687	Washer (5038)
29	846226	Weld Nut
30		Standard 3/4" pipe - (Not Supplied by Porter-Cable)
31	866102	Spacer (5038)
*	846222	Trigger Latch Spring
*	846231	Trigger Latch Spring Tube
*	801896	Spec. Plate Screw (Early)

* Not Shown