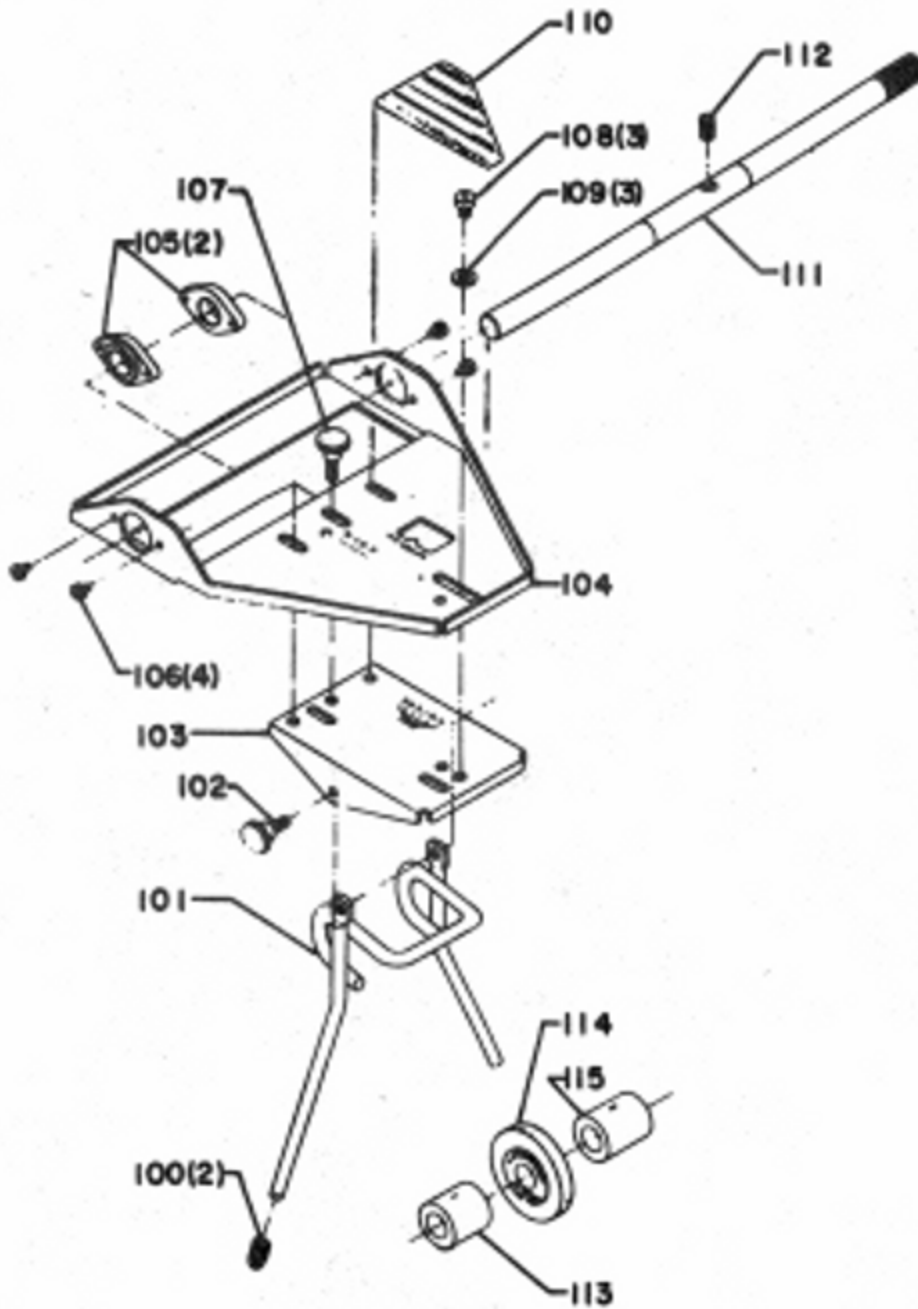


**PORTER-CABLE
CUTTER SHARPENING ATTACHMENT**



Ref. No.	Part No.	Description
100	802026	Foot
101	849548	Leg
102	849550	Leg Thumb Screw
103	849476	Frame Support
104	849475	Frame
105	810353	Frame Bearing
106	844107	Frame Bearing Screw
107	849551	Cutter Adjusting Thumb Screw
108	841862	Frame Screw
109	846613	Frame Washer
110		Specification Plate By Request
111	849553	Cutter Arbor
112	850843	Cutter Arbor Screw
113	849556	Grinding Wheel Short Spacer
114	853290	Grinding Wheel
115	849555	Grinding Wheel Long Spacer