



SERVICE PARTS LIST

BUL. 54-22-0042

3/4 H.P. BENCH GRINDER

REVISED BUL DATE May '93

Catalog No. **5040**

MODEL REF. NO. **60064-R**

WIRING INSTR.

PARTS ORDERS MUST INCLUDE:

CATALOG NO. _____
 MODEL REF. NO. _____ (FROM NAMEPLATE)
 PART NO. _____
 DESCRIPTION _____
 QUANTITY REQUIRED _____

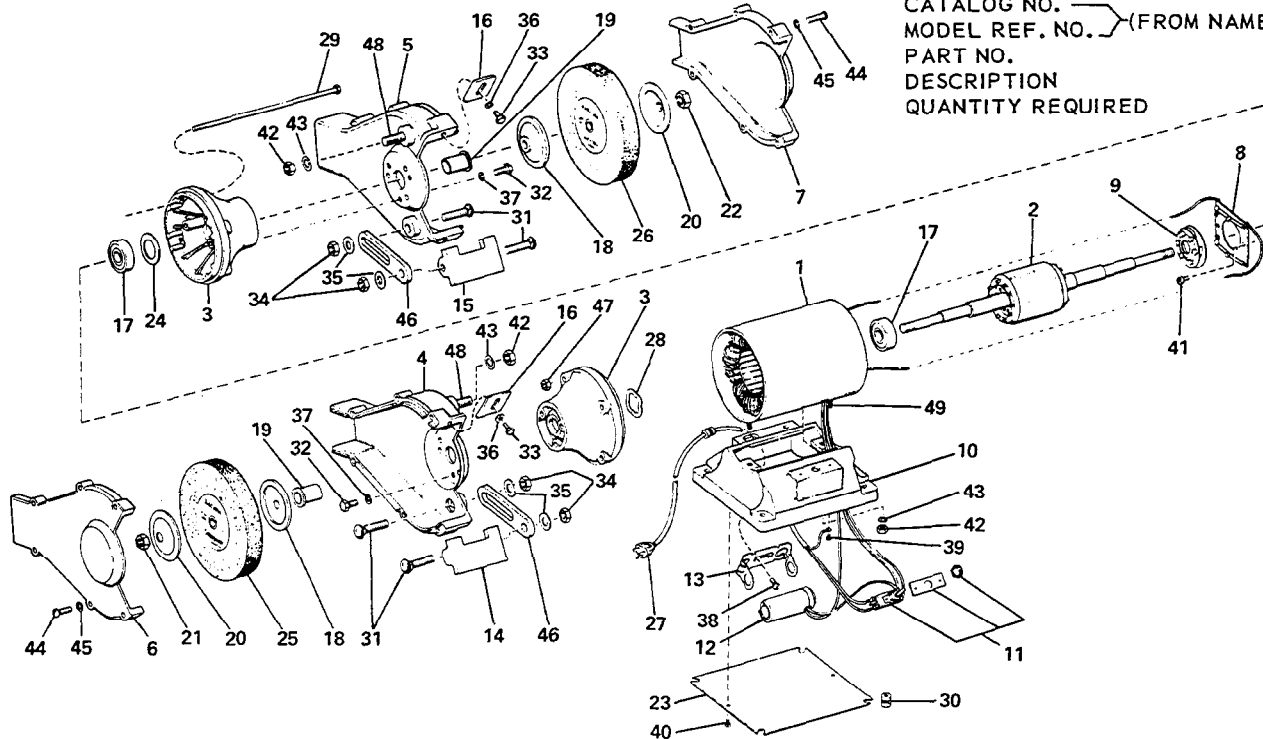


FIG.	PART NO.	DESCRIPTION	NO. REQ.	FIG.	PART NO.	DESCRIPTION	NO. REQ.
1	—	Wound Stator with Frame	(1)	26	—	Grinding Wheel (See Catalog)	(1)
2	23-40-0371	Rotor and Shaft Assembly	(1)	27	22-64-0080	Cord with Plug	(1)
3	42-25-0245	End Shield	(2)	28	40-50-7661	Finger Spring	(1)
4	43-54-0136	L.H. Wheel Guard	(1)	29	06-75-0068	10-32x10 Long thru Bolt	(4)
5	43-54-0135	R.H. Wheel Guard	(1)	30	42-38-0086	Rubber Base Bumper	(4)
6	42-92-0105	Wheel Guard Cover	(1)	31	06-10-1300	3/8-16x1-1/2 Carriage Bolt	(4)
7	42-92-0105	Wheel Guard Cover	(1)	32	06-81-0035	5/16-18x 1 Hex. Hd. Bolt	(6)
8	23-66-0670	Stationary Switch	(1)	33	06-75-0075	1/4-20x1/2 Hex. Hd. Bolt	(2)
9	23-66-0058	Rotating Switch	(1)	34	06-57-5165	3/8-16 Hex Lock Nut	(4)
10	42-20-0275	Base	(1)	35	45-88-5261	3/8 Flat Washer	(4)
11	23-66-0100	On-Off Switch	(1)	36	06-97-4000	1/4 Lock Washer	(2)
12	22-33-0200	Capacitor	(1)	37	06-97-4100	5/16 Lock Washer	(6)
13	22-40-0025	Capacitor Bracket	(1)	38	06-81-2810	10-32x1/2 Flat Hd. Screw	(1)
14	44-85-0125	Tool Rest	(1)	39	06-81-4567	8-32x3/8 Brass Screw	(1)
15	44-85-0125	Tool Rest	(1)	40	06-81-0452	8-32x3/8 Pan Hd. Screw	(2)
16	45-12-0126	Spark Guard	(2)	41	06-81-0452	8-32x3/8 Pan Hd. Screw	(2)
17	02-04-5045	Bearing	(2)	42	06-55-1985	5/16-18 Hex. Nut	(4)
18	43-34-0026	Inner Flange	(2)	43	45-88-5245	5/16 Flat Washer	(4)
19	45-36-0635	Spacer Sleeve	(2)	44	06-81-4730	1/4-20x 7/8 Round Hd. Screw	(12)
20	43-34-0047	Outer Flange	(2)	45	06-97-4000	1/4 Lock Washer	(12)
21	06-55-3325	L.H. 5/8-18 Hex. Nut	(1)	46	42-36-0030	Tool Rest Support	(2)
22	06-55-3300	R.H. 5/8-18 Hex. Nut	(1)	47	06-57-6060	10-32 Whiz Lock Nut	(4)
23	42-92-0055	Base Cover	(1)	48	06-10-3230	5/16-18x1-3/8 Carriage Bolt	(2)
24	45-14-0111	Shim	(1)	49	06-10-3200	5/16-18x7/8 Carriage Bolt	(2)
25	—	Grinding Wheel (See Catalog)	(1)				