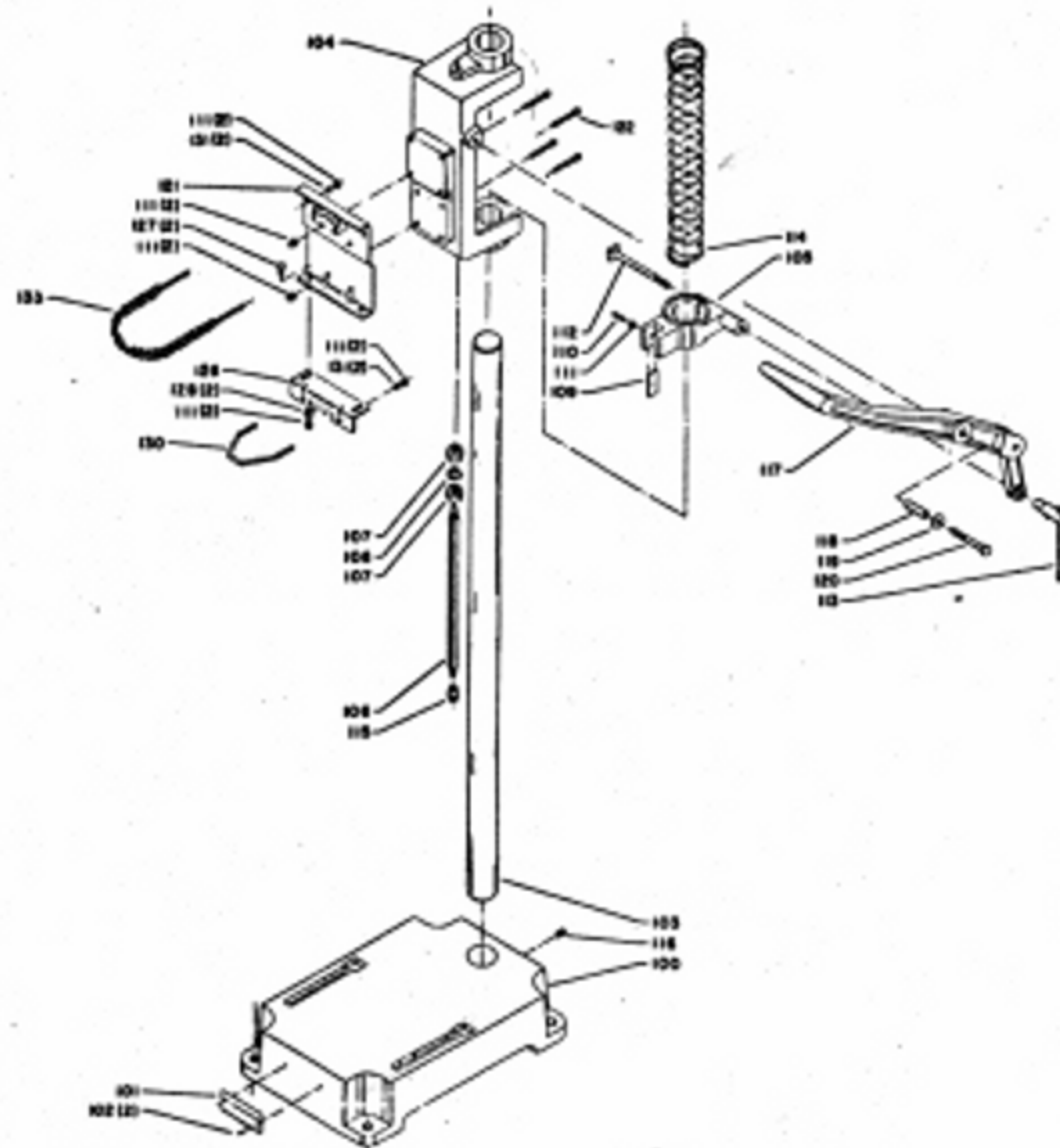


ROCKWELL DRILL STAND



Ref. No.	Part No.	Description	Ref. No.	Part No.	Description
100	859524	Base Assembly, Includes:	118	858696	Handle Bushing
101	860182	Specification Plate	119	854559	Handle Washer
102	801896	Specification Plate Screw	120	805101	Handle Screw
*	859523	Column & Carrier Assy., Incl:	121	859911	Drill Mounting Bracket Assy.
103	859745	Column	122	824565	Screw
104	860267	Carrier	126	859900	Adjustable Bracket
105	858031	Clamp Bracket	127	838652	Adjustable Bracket Bolt
106	860112	Stop Post	128	803060	Adjustable Bracket Washer
107	839624	Stop Nut	130	859897	Drill Front Clamp
108	848508	Stop Nut Spacer Washer	131	857531	Lock Washer
109	859963	Stop Post Gib	133	860108	Drill Rear Clamping Chain Assembly, Includes:
110	859964	Stop Post Gib Screw	*	859853	Chain
111	803149	Nut	*	860107	Swing Bolt (2)
112	859527	Clamp Bolt	*	860175	Chain Connecting Link (2)
113	859526	Clamp Nut Assembly	*	802905	Drill Mounting Bracket Screw & Column Set Screw Wrench (3/16" Hex.)
114	858697	Carrier Spring			
115	860111	Stop Post Bushing			
116	802950	Column Set Screw			
117	859525	Handle Assy., Incl:			
*	858698	Handle Link Pivot Pin			
*	860266	Handle Link			
*	860268	Handle			

* Not Shown