



Pneumatic Impact Wrench

#505120, JAT-120

#505121, JAT-121

#505122, JAT-122

#505123, JAT-123



JAT-120 shown

Operation & Parts Manual

M-505120

Edition 2

06/2015



Stock No.:
Serial No.:
Purchased from:
Date purchased:

JET

427 New Sanford Road

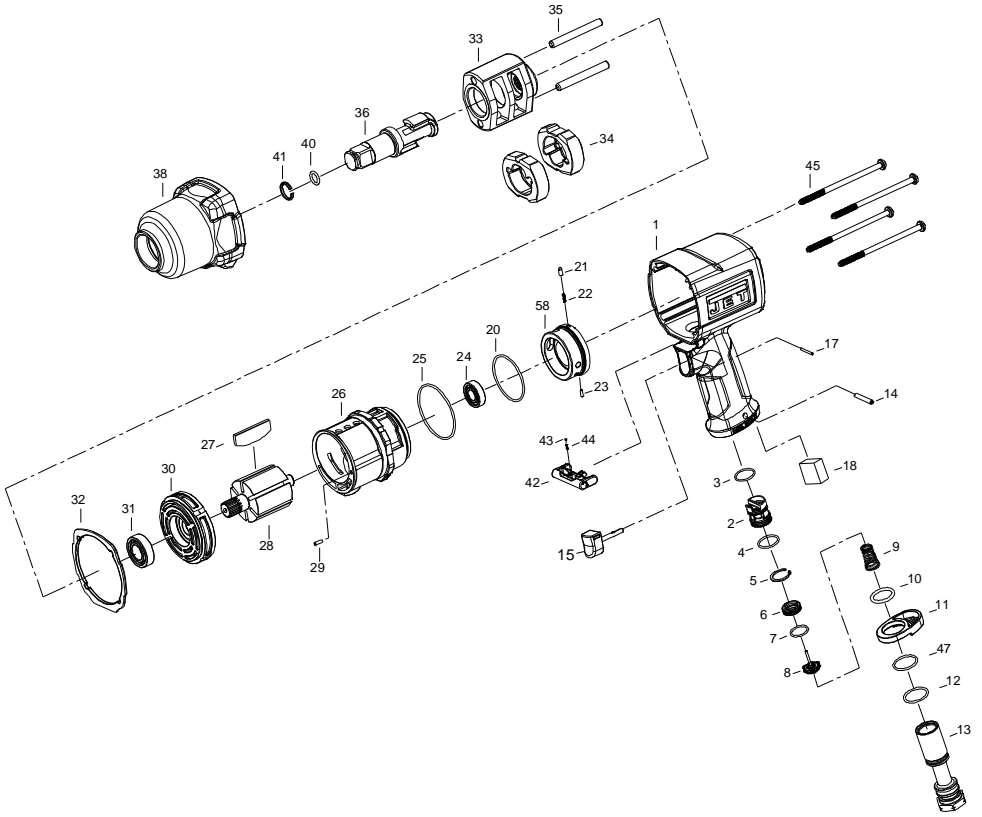
LaVergne, TN 37086

Ph.: 800-274-6848

www.jettools.com

Copyright © 2015 JET

#505123, JAT-123, 3/4-inch Impact Wrench – exploded view



#505123, JAT-123, 3/4-inch Impact Wrench – parts list

Index	Part No.	Description	Qty
1	JAT123-01	Motor housing	1
2	JAT123-02	Reverse valve	1
3	JAT123-03	O-Ring NBR ø19.8x1.9	1
4	JAT123-04	O-Ring NBR ø21.95x1.78	1
5	JAT123-05	Retainer IRTW-21 (SK7)	1
6	JAT123-06	Throttle valve seat	1
7	JAT123-07	O-Ring NBR ø17x1.7	1
8	JAT123-08	Throttle valve assembly	1
9	JAT123-09	Throttle valve spring	1
10	JAT123-10	O-Ring NBR ø20.5x3	1
11	JAT123-11	Exhaust deflector	1
12	JAT123-12	O-Ring S26 NBR ø25.5x2	1
13	JAT123-13	Air inlet	1
14	JAT123-14	Spring pin ø4x28	1
15	JAT123-15	Trigger kit	1
17	JAT120-14	Spring pin ø2x20	1
18	JAT123-18	Damping material	1
20	JAT123-20	O-Ring S50 NBRø49.5x2	1
21	JAT120-21	Pin 12L14	1
22	JAT123-22	Spring	1
23	JAT123-23	Spring pin ø2x7 SK5	1
24	JAT123-24	Ball bearing 6001 C3/L627	1

Index	Part No.	Description	Qty
25	JAT123-25	O-Ring	1
26	JAT123-26	Cylinder assembly	1
27	JAT123-27	Rotor vane	6
28	JAT123-28	Rotor	1
29	JAT123-29	Spring pin ø3.5x12 SK5	1
30	JAT123-30	Front end plate	1
31	JAT123-31	Ball bearing 6003 CMSM	1
32	JAT123-32	Hammer case gasket	1
33	JAT123-33	Hammer cage	1
34	JAT123-34	Hammer	2
35	JAT123-35	Hammer pin	2
36	JAT123-36	Anvil 3/4in.	1
38	JAT123-38	Hammer case assembly	1
40	JAT123-40	O-Ring P11 ø10.8x2.4 NBR	1
41	JAT123-41	Retainer	1
42	JAT123-42	Reverse knob	1
43	SB-1/8	Steel ball 1/8 in.	1
44	JAT123-44	Spring	1
45	JAT123-45	Screw M6x1.0x110 SCM435	4
47	JAT123-47	O-Ring S24 NBR ø23.5x2	1
58	JAT123-58	Reverse valve	1

JAT123-RPK, Repair Kit, contains 3,4,5,7,10,12,18,20,22,25,27(6),32,40,41,43,44

JAT123-RBK, Rebuild Kit, contains 26,29,30,35(2),36