



Pneumatic Flux Chipper

#505822, JAT-821A



Operation & Parts Manual

M-505822

Edition 1

03/2020



Stock No.:
Serial No.:
Purchased from:
Date purchased:

JET
427 New Sanford Road
LaVergne, TN 37086
Ph.: 800-274-6848
www.jettools.com

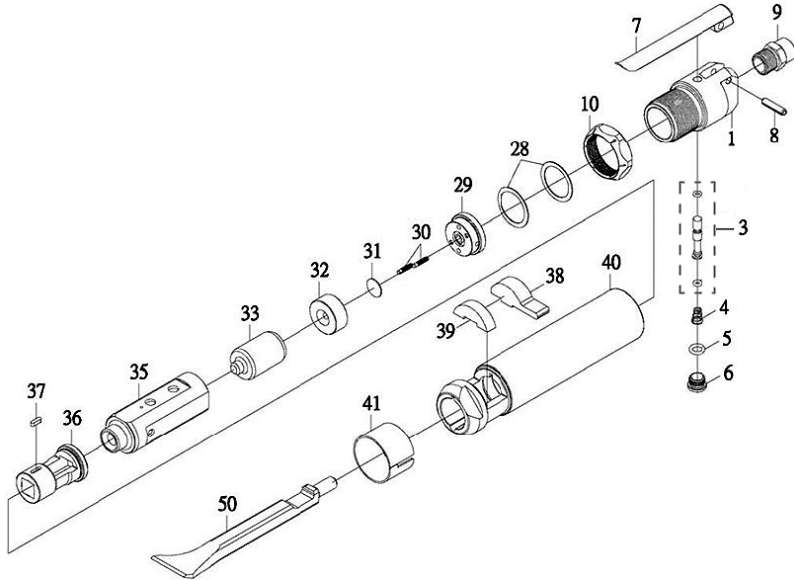
Copyright © 2020 JET

Replacement parts

To order parts or reach our service department, call 1-800-274-6848 Monday through Friday, 8:00 a.m. to 5:00 p.m. CST. Please have the stock number and serial number of your tool available when you call, so that we may serve you quickly and accurately.

Some parts are shown for reference only, and may not be available individually.

#505822, JAT-821A, Flux Chipper – exploded view



#505822, JAT-821A, Flux Chipper – parts list

Index	Part No.	Description	Qty
1	730213-1	Back head	1
3	730214A	Throttle valve with O-Rings	1
		O-Ring 3.3x1.5	1
		O-Ring 3.55x1.8	1
4	730215	Spring	1
5	1008365	O-Ring D7.8x2.4-P8	1
6	730216	Valve cap	1
7	730217	Lever	1
8	729538	Spring pin 5x22L	1
9	729747	Hose adaptor	1
10	729597-1	Lock ring	1
28	730218	Alignment shim	2
29	729608	Rear valve block	1

Index	Part No.	Description	Qty
30	1012591	Pin	2
31	729604	Valve	1
32	729606	Front valve block	1
33	730219	Piston	1
35	731008	Barrel sleeve	1
36	731009	Nose	1
37	731010	Key	1
38	730220	Driver retainer	1
39	730221	Retainer buffer	1
40	JAT800-40-1	Barrel	1
41	730222	Retainer cap	1
50	JAT821-50	Chisel	1
	JAT821A-RBK	Rebuild Kit (#3,4,5,33,38)	