



Pneumatic Cut-Off Tool

#505930, JAT-930



Operation & Parts Manual

M-505930

Edition 2

11/2018

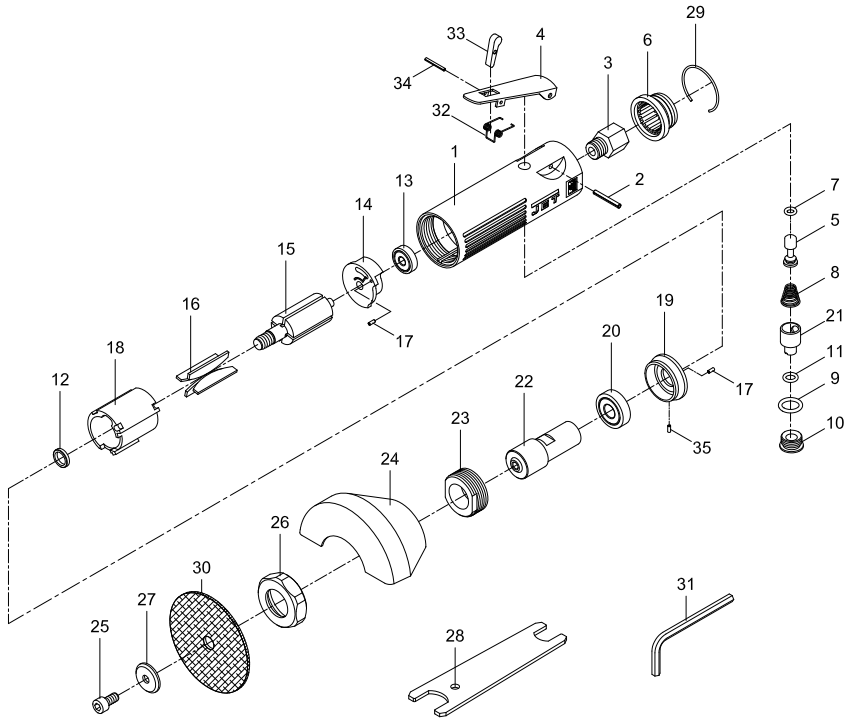


Stock No.:
Serial No.:
Purchased from:
Date purchased:

JET
427 New Sanford Road
LaVergne, TN 37086
Ph.: 800-274-6848
www.jettools.com

Copyright © 2015 JET

#505930, JAT-930 Cut-Off Tool – exploded view



Index	Part No.	Description	Qty
1	JAT401-01	Motor housing	1
2	SM-30102	Spring pin 3x24L	1
3	51203	Air inlet	1
4	51504	Throttle lever	1
5	51205	Valve stem	1
6	51206	Exhaust diffuser	1
7	70107	O-Ring 4.8x1.9	1
8	51208	Valve spring	1
9	70123	O-Ring 11.8x2.4	1
10	51210	Throttle valve plug	1
11	40305	O-Ring 6.5x2	1
12	51212	Rotor bushing	1
13	BB-626ZZ	Ball bearing 626ZZ	1
14	51214	Rear end plate	1
15	51215	Rotor	1
16	51216	Rotor vane	4
17	70117	Spring pin 2x5L	2
18	70118	Cylinder	1

Index	Part No.	Description	Qty
19	51219	Front end plate	1
20	BB-6000ZZ	Ball bearing 6000ZZ	1
21	51221	Air regulator	1
22	JAT930-22	Spindle	1
23	JAT930-23	Retainer	1
24	JAT930-24	Guard	1
25	JAT930-25	Screw	1
26	JAT930-26	Nut	1
27	JAT930-27	Washer	1
28	51228	Double-end wrench	1
29	51229	Retainer ring	1
30	JAT930-30	Cutting wheel	1
31	TS-152706	Hex wrench 5mm	1
32	51541	Spring	1
33	51540	Safety lever	1
34	51542	Spring pin 2x18	1
35	JSM5430-42	Spring pin 2x4	1

RPK-512, Repair Kit, contains 2,7,8,9,11,16(4),17(2),29