



# SERVICE PARTS LIST

**BUL. 54-22-0072**

## 1 H.P. BENCH GRINDER

REVISED BUL. DATE  
May '93

**Catalog No. 5080**

MODEL REF. NO. **63923-K**

WIRING INSTRUCTIONS

PARTS ORDERS MUST INCLUDE:  
CATALOG NO. (FROM NAMEPLATE)  
MODEL REF. NO. (FROM NAMEPLATE)  
PART NO.  
DESCRIPTION  
QUANTITY REQUIRED

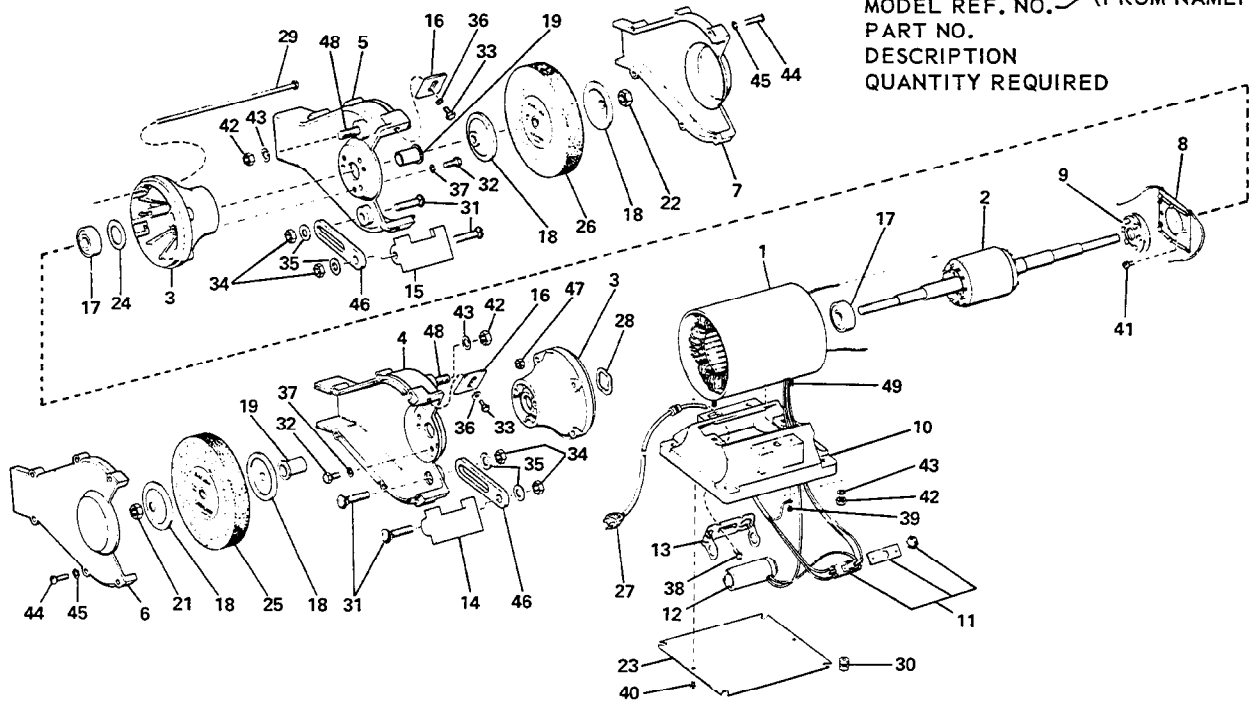


FIG.	PART NO.	DESCRIPTION	NO. REQ.	FIG.	PART NO.	DESCRIPTION	NO. REQ.
1	—	Wound Stator with Frame	(1)	26	—	Grinding Wheel (See Catalog)	(1)
2	23-40-0331	Rotor and Shaft Assembly	(1)	27	22-64-0121	Cord with Plug	(1)
3	42-25-0235	End Shield	(2)	28	40-50-7662	Finger Spring	(1)
4	43-54-0146	L.H. Wheel Guard	(1)	29	06-75-0072	10-32x11 Thru Bolt	(4)
5	43-54-0145	R.H. Wheel Guard	(1)	30	42-38-0086	Rubber Base Bumper	(4)
6	42-92-0125	Wheel Guard Cover	(1)	31	06-10-1300	3/8-16x1-1/2 Carriage Bolt	(4)
7	42-92-0125	Wheel Guard Cover	(1)	32	06-75-0500	3/8-16x1 Hex. Hd. Bolt	(6)
8	23-66-0392	Stationary Switch	(1)	33	06-75-0075	1/4-20x1/2 Hex. Hd. Bolt	(2)
9	23-66-0059	Rotating Switch	(1)	34	06-57-5165	3/8-16 Hex Lock Nut	(4)
10	42-20-0275	Base	(1)	35	45-88-5261	3/8 Flat Washer	(4)
11	23-66-0100	On-Off Switch	(1)	36	06-97-4000	1/4 Lock Washer	(2)
12	22-33-0050	Capacitor	(1)	37	06-97-4125	3/8 Lock Washer	(6)
13	22-40-0010	Capacitor Bracket	(1)	38	06-81-2810	10-32x1/2 Flat Hd. Screw	(1)
14	44-85-0125	Tool Rest	(1)	39	06-81-4567	8-32x3/8 Brass Screw	(1)
15	44-85-0125	Tool Rest	(1)	40	06-81-0452	8-32x3/8 Pan Hd. Screw	(2)
16	45-12-0126	Spark Guard	(2)	41	06-81-0452	8-32x3/8 Pan Hd. Screw	(2)
17	02-04-5055	Bearing	(2)	42	06-55-1985	5/16-18 Hex. Nut	(4)
18	43-34-0151	Wheel Flange	(4)	43	45-88-5245	5/16 Flat Washer	(4)
19	45-36-0571	Spacer Sleeve	(2)	44	06-81-4730	1/4-20x 7/8 Round Hd. Screw	(12)
21	06-55-3725	L.H. 3/4-16 Hex. Nut	(1)	45	06-97-4000	1/4 Lock Washer	(12)
22	06-55-3700	R.H. 3/4-16 Hex. Nut	(1)	46	42-36-0030	Tool Rest Support	(2)
23	42-92-0055	Base Cover	(1)	47	06-57-6060	10-32 Whiz Lock Nut	(4)
24	45-14-0121	Shim	(1)	48	06-10-3230	5/16-18x1-3/8 Carriage Bolt	(2)
25	—	Grinding Wheel (See Catalog)	(1)	49	06-10-1025	5/16-18x1 Carriage Bolt	(2)