

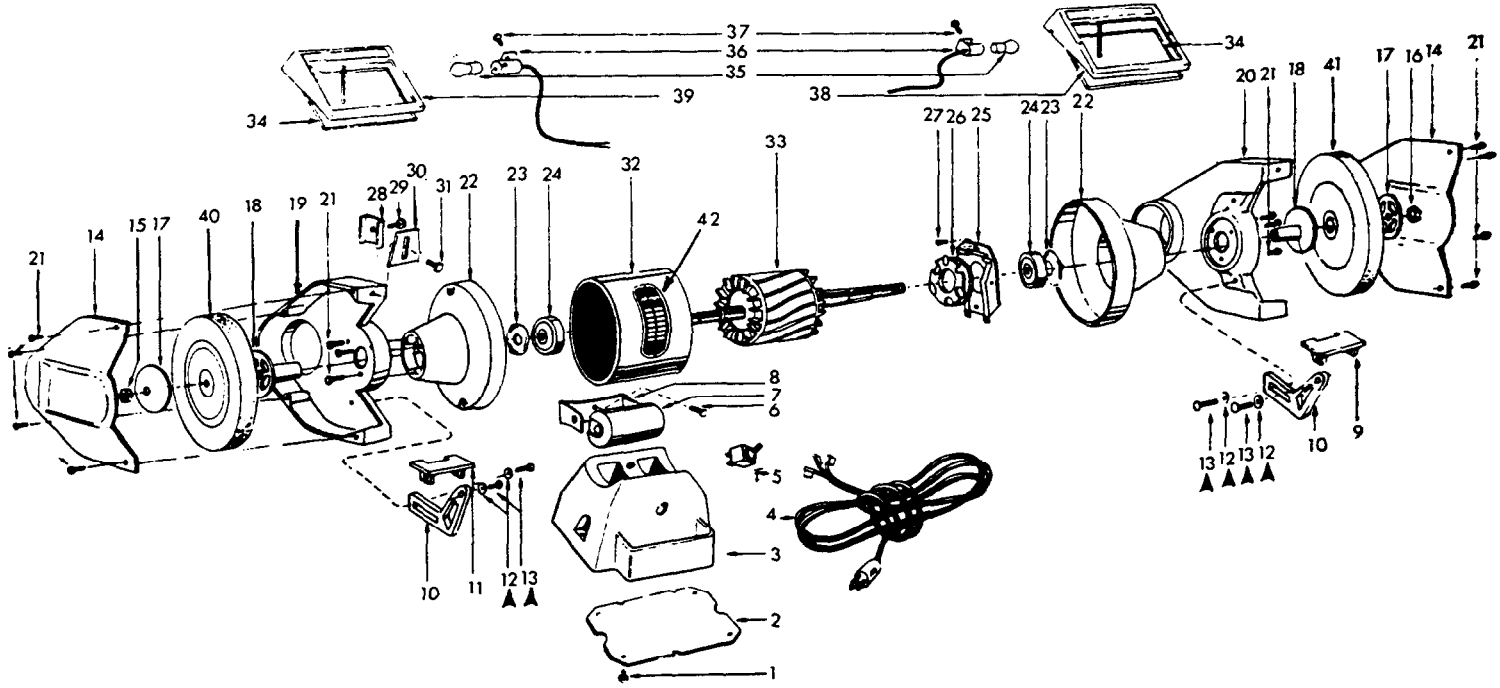


# SERVICE PARTS LIST

**BULLETIN NO.**  
55-22-1250

<b>SPECIFY CATALOG NO. AND SERIAL NO. WHEN ORDERING PARTS</b>		REVISED BULLETIN	DATE
<b>1 H.P. BENCH GRINDER W/LIGHTED EYESHIELDS</b>			May '91
CATALOG NO. 5091-2	SERIAL NUMBER W-4-91	WIRING INSTRUCTION 58-01-0026	

**EXAMPLE:**  
Component Parts ( Small #) Are Included  
When Ordering The Assembly (Large #).



▲ = Included In Tool Rest Kit, 14-46-1097

FIG.	PART NO.	DESCRIPTION OF PART	NO. REQ.
1	06-75-0300	Cap Screw 5/16-18 x 3/4	(4)
2	44-66-5690	Base Plate	(1)
3	42-20-0650	Base	(1)
4	22-64-4155	Cord Set	(1)
5	23-66-1560	Toggle Switch	(1)
6	06-81-2661	Machine Screw Flat Hd. #10-24x3/8	(1)
7	22-33-0410	Capacitor	(1)
8	22-40-0140	Capacitor Bracket	(1)
9	44-85-0210	Right Tool Rest	(1)
10	42-09-0030	Tool Rest Arm	(2)
11	44-85-0220	Left Tool Rest	(1)
12	45-88-8090	Washer 3/8 Flat	(4)
13	06-75-0695	Cap Screw 7/16 -14 x 1-1/2	(4)
14	42-92-0710	Guard Cover	(2)
15	06-55-3510	Left Hand Hex Nut 3/4 -10	(1)
16	06-55-3520	Right Hand Hex Nut 3/4 -10	(1)
17	43-34-0630	Outside Flange	(2)
18	43-34-0650	Inside Flange	(2)
19	43-54-0640	Left Guard	(1)
20	43-54-0650	Right Guard	(1)
21	06-75-0105	Cap Screw 1/4"-20 x 3/4	(14)
22	42-25-2550	Endbell	(2)
23	45-88-8115	Bearing Felt Washer	(2)
24	02-04-2035	Bearing	(2)
25	23-66-1610	Stationary Switch	(1)
26	23-66-1590	Rotary Switch	(1)
27	06-95-0110	Self Tapping Screw #6-32 x 5/16	(2)
28	42-70-5060	Eyeshield Clip	(2)
29	06-75-0200	Cap Screw 1/4-20 x 1-1/4	(2)

FIG.	PART NO.	DESCRIPTION OF PART	NO. REQ.
30	45-12-0400	Spark Shield	(2)
31	06-75-0690	Cap Screw 7/16-14 x 1	(2)
32	23-58-0740	Stator	(1)
33	23-40-0630	Rotor (Incl. Fig. 26)	(1)
34	49-62-0115	Replacement Plexiglass Lens	(2)
35	22-23-0010	Automotive Bulb	(2)
36	23-33-0430	Light Socket	(2)
37	06-75-0022	Cap Screw #10-24 x 5/16	(2)
38	43-40-0260	Right Eyeshield Frame (Incl. Fig. 34)	(1)
39	43-40-0270	Left Eyeshield Frame (Incl. Fig. 34)	(1)
40		Grinding Wheel 10x1x3/4 See Catalog	(1)
41		Grinding Wheel 10x1x3/4 See Catalog	(1)
42	12-99-0460	Nameplate Blank	(1)

**PARTS NOT SHOWN**

14-46-1097	Tool Rest Kit	(1)
06-08-0070	Thru Bolt #10-24x8-1/4"	(4)
(Used to Secure Endbells to Stator)		
06-55-1050	Hex Nut #10-24	(4)
(Used On The End Of Each 06-08-0070 Thru Bolt)		
22-90-0180	Grommet (For Cord Set)	(1)

**MILWAUKEE ELECTRIC TOOL CORPORATION**  
13135 W. LISBON RD., BROCKFIELD, WI 53005