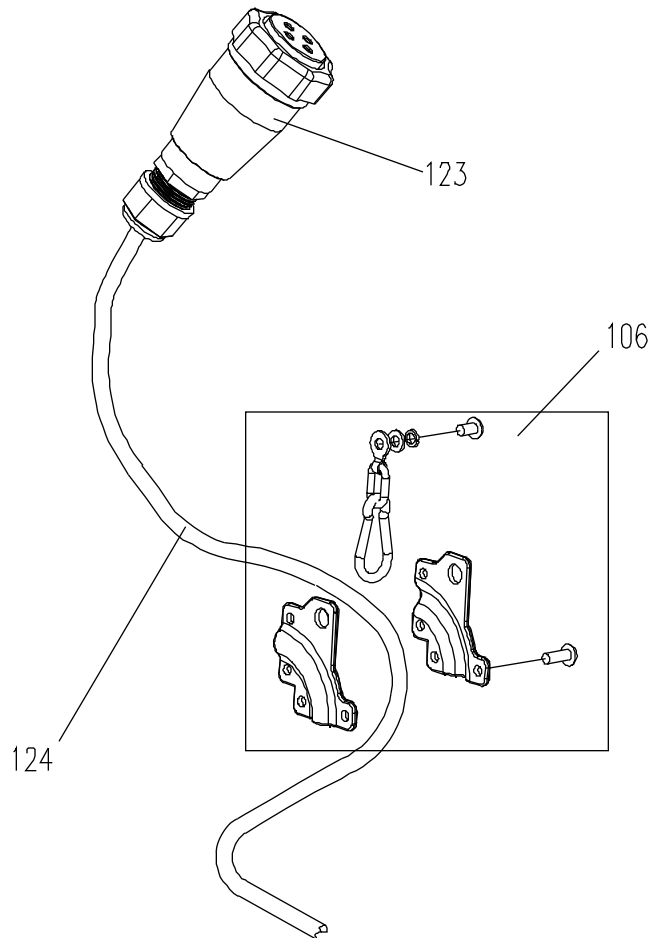


Replacement Parts

Replacement parts are listed on the following pages. To order parts or reach our service department, call 1-800-274-6848 Monday through Friday (see our website for business hours, www.jettools.com). Having the Model Number and Serial Number of your machine available when you call will allow us to serve you quickly and accurately.

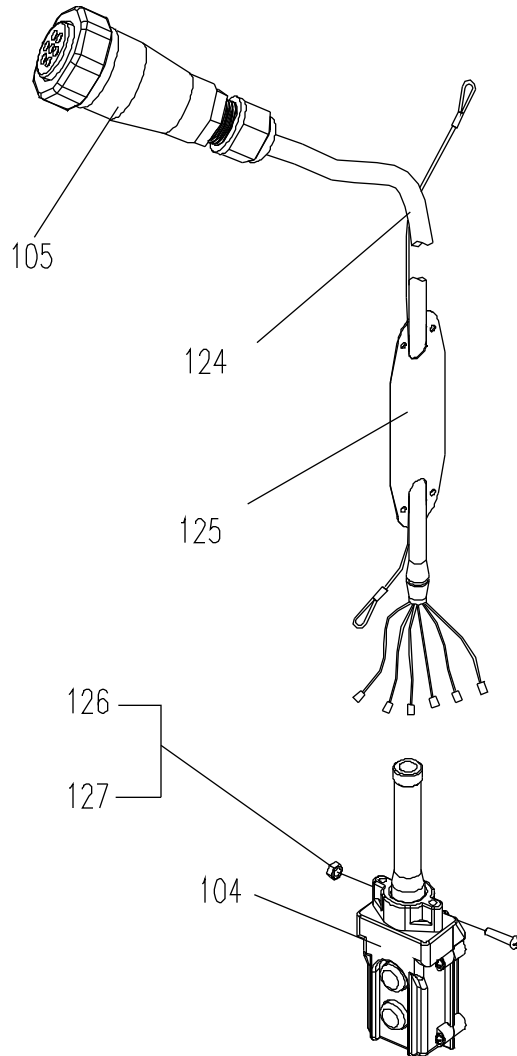
Power Cord Assembly

| Index No. | Part No. | Description | Size | Qty |
|-----------|----------------|------------------------|------|-----|
| 106 | 1/2SS-3C-106 | Cord Holder Assembly | | 1 |
| 123 | 1/2SS-3C-123UG | Male Plug | 4P | 1 |
| 124 | 1/2SS-1C-124 | Power Cord for 1 Phase | | 1 |
| | 1/2SS-3C-124 | Power Cord for 3 Phase | | 1 |

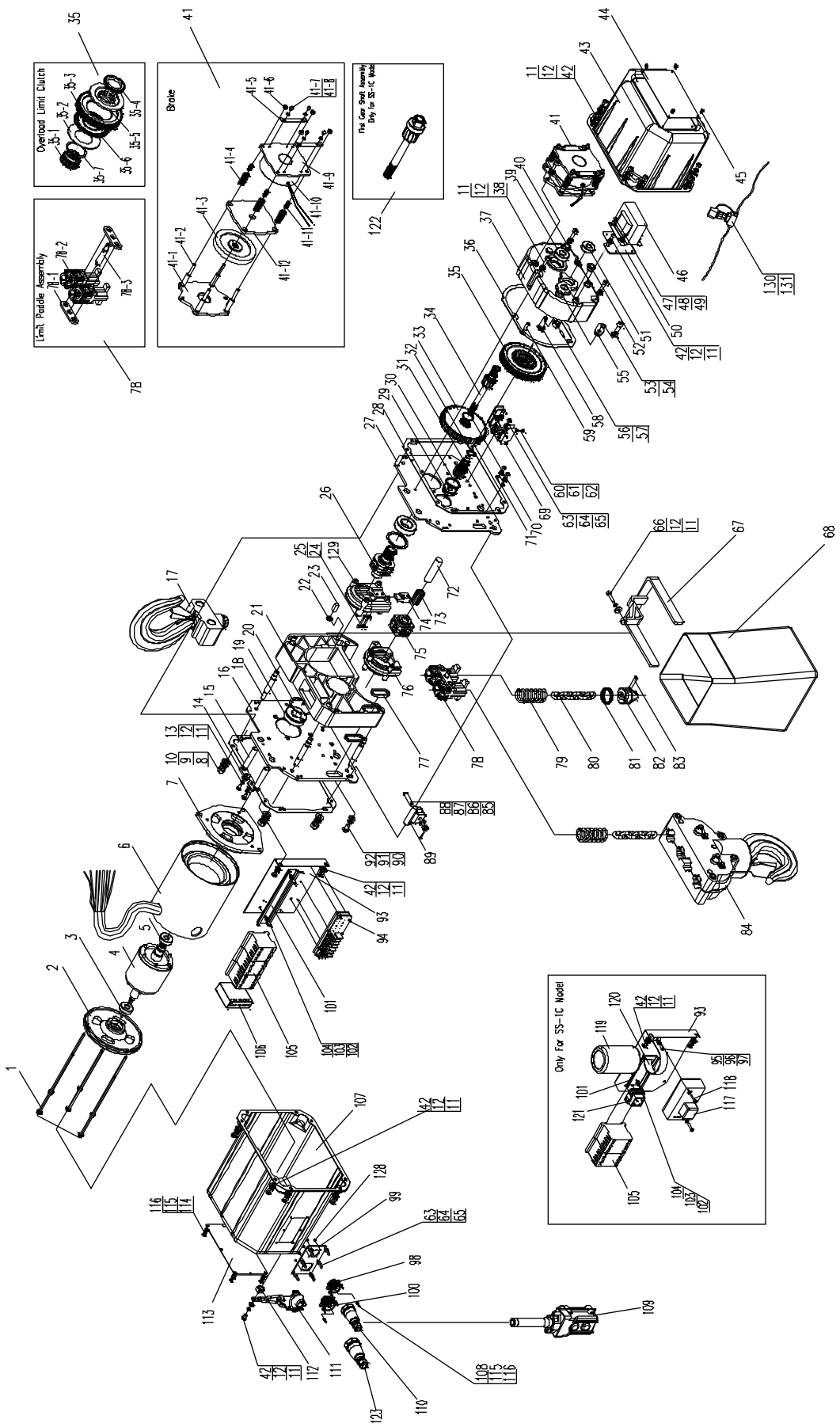


Control Pendant Assembly

| Index No. | Part No. | Description | Size | Qty |
|-----------|----------------|--|-------|-----|
| 104 | 1/2SS-3C-104 | Pushbutton Control (1 and 3 Phase, Single Speed) | | 1 |
| | 1/2DS-3C-104 | Pushbutton Control (3 Phase, Dual Speed) | | 1 |
| 105 | 1/2SS-3C-105UG | Male Plug | 7P | 1 |
| 124 | 1/2SS-3C-124A | Pushbutton Cord | | 1 |
| 125 | 1/2SS-3C-125 | Caution Tag | | 1 |
| 126 | 1/2SS-3C-126 | Phillips Pan Head Machine Screw | M4x25 | 1 |
| 127 | TS-1541001 | Nylon Lock Hex Nut | M4 | 1 |



5-Ton Chain Hoist



Parts List: 5-Ton Chain Hoist

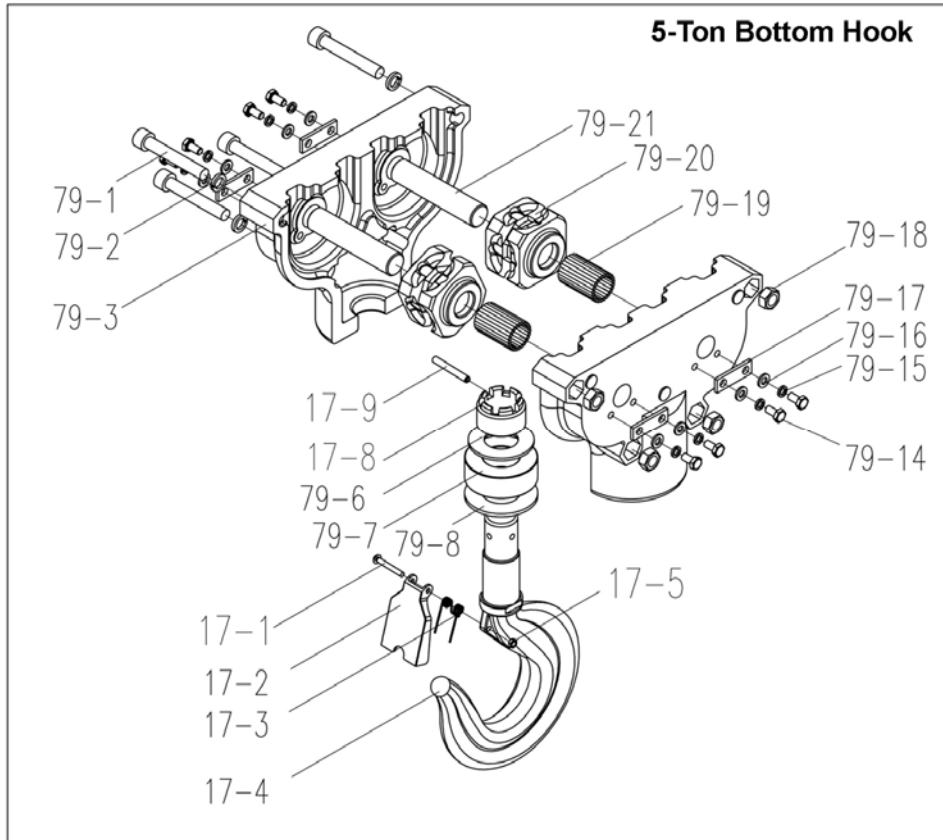
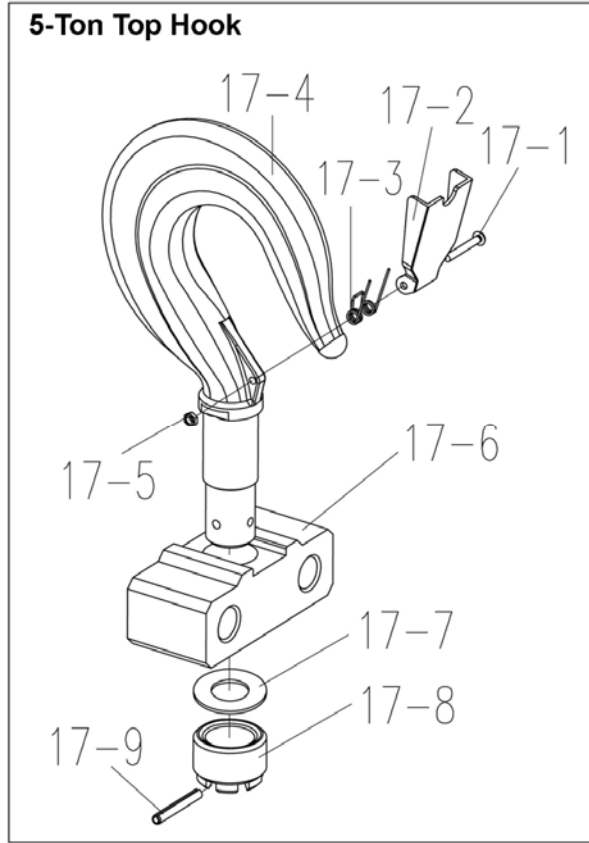
| Index No. | Part No. | Description | Size | Qty |
|-----------|--------------|---|-----------|-----|
| 1 | 1SS-3C-001 | Motor Stay Bolt | | 3 |
| 2 | 1SS-1C-002 | Motor Bracket for 1 Phase | | 1 |
| | 1SS-3C-002 | Motor Bracket for 3 Phase | | 1 |
| 3 | 1SS-3C-003 | Ball Bearing | 180203kz1 | 1 |
| 4 | 1SS-1C-004 | Rotor Assembly for 1 Phase | | 1 |
| | 1SS-3C-004 | Rotor Assembly for 3 Phase, Single Speed | | 1 |
| | 1DS-3C-004 | Rotor Assembly for 3 Phase, Dual Speed | | 1 |
| 5 | 1SS-3C-005 | Ball Bearing | 180206kz1 | 1 |
| 6 | 1SS-1C-006 | Motor Case Assembly for 1 Phase | | 1 |
| | 1SS-3C-006 | Motor Case Assembly for 3 Phase, Single Speed | | 1 |
| | 1DS-3C-006 | Motor Case Assembly for 3 Phase, Dual Speed | | 1 |
| 7 | 1SS-1C-007 | Motor Right-End Cover for 1 Phase | | 1 |
| | 1SS-3C-007 | Motor Right-End Cover for 3 Phase | | 1 |
| 8 | 1/2SS-3C-008 | Hex Nut | M10 | 8 |
| 9 | 1/2SS-3C-009 | Lock Washer | 10mm | 8 |
| 10 | 1/2SS-3C-010 | Plain Washer | 10mm | 8 |
| 11 | 1/2SS-3C-011 | Plain Washer | 6mm | 30 |
| 12 | 1/2SS-3C-012 | Lock Washer | 6mm | 30 |
| 13 | 1/2SS-3C-013 | Phillips Pan Head Machine Screw | M6x12 | 2 |
| 14 | 1SS-3C-014 | Stay Bolt Block for Top Hook Assembly | | 2 |
| 15 | 3SS-3C-015 | Stay Bolt for Top Hook Assembly | | 2 |
| 16 | 5SS-3C-016 | Motor Side Plate | | 1 |
| 17 | 5SS-3C-017 | Top Hook Assembly for 5T | | 1 |
| 18 | 1SS-3C-018 | Stay Bolt for Motor Side Plate | | 4 |
| 19 | 1SS-3C-019 | Ball Bearing with Retainer | 150207 | 2 |
| 20 | 1SS-3C-020 | Stop Ring | 72/78.8 | 2 |
| 21 | 3SS-3C-021 | Sheave Cover | | 1 |
| 22 | 1SS-3C-022 | Lock Nut | M8 | 1 |
| 23 | 1SS-3C-023 | Rubber Plug | | 2 |
| 24 | 1SS-3C-024 | Socket Head Cap Screw | M6x25 | 2 |
| 25 | 1SS-3C-025 | Lock Washer | 6mm | 2 |
| 26 | 1SS-3C-026 | Lift Wheel | | 1 |
| 27 | 5SS-3C-027 | Gear Side Plate | | 1 |
| 28 | 1SS-3C-028 | Gear Side Plate Gasket | | 2 |
| 29 | 1SS-3C-029 | Ball Bearing with Retainer | 50403 | 1 |
| 30 | 1SS-3C-030 | Stop Ring | 62/67.6 | 1 |
| 31 | 1SS-3C-031 | Second Gear Shaft | | 1 |
| 32 | 1SS-3C-032 | Snap Ring | 20mm | 1 |
| 33 | 1SS-3C-033 | Lift Gear | | 1 |
| 34 | 1SS-3C-034 | First Gear Shaft for 3 Phase | | 1 |
| 35 | 1SS-3C-035 | Overload Limit Clutch | | 1 |
| 35-1 | 1SS-3C-03501 | Spline Sleeve | | 1 |
| 35-2 | 1SS-3C-03502 | Wing Spring | | 1 |
| 35-3 | 1SS-1C-03503 | Middle Gear for 1 Phase | | 1 |
| | 1SS-3C-03503 | Middle Gear for 3 Phase | | 1 |
| 35-4 | 1SS-3C-03504 | Adjust Round Nut | | 1 |
| 35-5 | 1SS-3C-03505 | Clutch Support | | 1 |
| 35-6 | 1SS-3C-03506 | Friction Disc | | 1 |
| 35-7 | 1SS-3C-03507 | Adjust Washer | | 1 |
| 36 | 1SS-3C-036 | Gear Case Seal | | 1 |
| 37 | 1SS-3C-037 | Gear Case | | 1 |
| 38 | 1/2SS-3C-038 | Socket Head Cap Screw | M6x20 | 5 |
| 39 | 1SS-3C-039 | Ball Bearing | 180205kz1 | 1 |
| 40 | 1SS-3C-040 | Snap Ring (for 3 Phase only) | 25mm | 1 |
| 41 | 1SS-1C-041 | DC Brake for 1 Phase | | 1 |
| | 1SS-3C-041 | DC Brake for 3 Phase | | 1 |
| 41-1 | 1SS-3C-04101 | Brake Bracket | | 1 |

| | | | |
|-------|----------------|--|----|
| 41-2 | 1SS-3C-04102 | Brake Stay Bolt | 4 |
| 41-3 | 1SS-1C-04103 | Friction Pad for 1 Phase | 1 |
| | 1SS-3C-04103 | Friction Pad for 3 Phase | 1 |
| 41-4 | 1SS-1C-04104 | Brake Spring for 1 Phase | 4 |
| | 1SS-3C-04104 | Brake Spring for 3 Phase | 4 |
| 41-5 | 1SS-3C-04105 | Locking Plate | 2 |
| 41-6 | 1SS-3C-022 | Lock Nut M8 | 4 |
| 41-7 | 1/2SS-3C-04107 | Phillips Pan Head Machine Screw M5x6 | 4 |
| 41-8 | 1/2SS-3C-04108 | Lock Washer 5mm | 4 |
| 41-9 | 1SS-3C-04109 | Brake Housing | 1 |
| 41-10 | 1SS-1C-04110 | Brake Coil for 1 Phase | 1 |
| | 1SS-3C-04110 | Brake Coil for 3 Phase | 1 |
| 41-11 | 1SS-3C-04111 | Brake Spring | 4 |
| 41-12 | 1SS-3C-04112 | Brake Armature | 1 |
| 42 | 1/2SS-3C-042 | Phillips Pan Head Machine Screw M6x10 | 20 |
| 43 | 1SS-3C-043 | Gear Side Cover | 1 |
| 44 | 5SS-3C-044 | Capacity Label for 5T | 1 |
| 45 | 1/2SS-3C-045 | Socket Head Cap Screw M3x6 | 4 |
| 46 | 1/2SS-1C-046UG | Transformer for 1 Phase | 1 |
| | 1/2SS-3C-046UG | Transformer for 3 Phase | 1 |
| 47 | 1/2SS-3C-047 | Phillips Pan Head Machine Screw M4x6 | 4 |
| 48 | TS-2361041 | Lock Washer 4mm | 4 |
| 49 | TS-1550021 | Plain Washer 4mm | 4 |
| 50 | 1/2SS-3C-050 | Transformer Bracket | 1 |
| 51 | 1SS-3C-051 | Ball Bearing 180203kz1 | 1 |
| 52 | 1SS-3C-052 | Steel Collar | 1 |
| 53 | TS-1550061 | Plain Washer 8mm | 1 |
| 54 | 1/2SS-3C-054 | Socket Head Cap Screw M8x20 | 1 |
| 55 | 1SS-3C-055 | Lock Plate for Clutch | 1 |
| 56 | 1/2SS-3C-056 | Round Pin A5x16 | 1 |
| 57 | 1/2SS-3C-057 | Adjust Round Nut | 1 |
| 58 | 1SS-3C-058 | Adjust Shaft | 1 |
| 59 | 1/2SS-3C-059 | Round Pin A6x12 | 2 |
| 60 | 1/2SS-3C-060 | Phillips Pan Head Machine Screw M4x16 | 1 |
| 61 | TS-1550021 | Plain Washer 4mm | 1 |
| 62 | 1/2SS-3C-062 | Hex Nut M4 | 1 |
| 63 | 1/2SS-3C-063 | Phillips Pan Head Machine Screw M5x10 | 8 |
| 64 | TS-2361051 | Lock Washer 5mm | 8 |
| 65 | TS-1550031 | Plain Washer 5mm | 8 |
| 66 | 1SS-3C-066 | Socket Head Cap Screw M8x25 | 1 |
| 67 | 1/2SS-3C-067 | Chain Container Bracket | 1 |
| 68 | 1SS-3C-068 | Chain Container (for 10' Lift) | 1 |
| | 3SS-3C-068 | Chain Container (for 15' and 20' Lift) | 1 |
| 69 | 1/2SS-3C-069UG | Limit Switch Set | 1 |
| 70 | 1SS-3C-070 | Snap Ring 34mm | 1 |
| 71 | 3SS-3C-061 | Hinge Plate | 1 |
| 72 | 3SS-3C-064 | Sheave Shaft | 1 |
| 73 | 3SS-3C-083 | Needle 3x39.8b | 24 |
| 74 | 1SS-3C-071 | Block | 1 |
| 75 | 3SS-3C-088 | Sheave | 1 |
| 76 | 3SS-3C-089 | Sheave Guide | 1 |
| 77 | 1/2SS-3C-072 | Cable Input Seal | 2 |
| 78 | 1SS-3C-073 | Limit Paddle Assembly | 1 |
| 78-1 | 1SS-3C-07301 | Side Plate | 2 |
| 78-2 | 1SS-3C-07302 | Chain Guide Block | 1 |
| 78-3 | 1SS-3C-07303 | Chain Guide Shaft | 1 |
| 79 | 1SS-3C-074 | Limit Spring | 2 |
| 80 | 1SS-3C-075 | Load Chain for 1T, 2T, 3T, and 5T * \varnothing 8x24mm | 1 |
| 81 | 1SS-3C-076 | Retainer Ring | 1 |

* Specify length of Load Chain when ordering.

| | | | |
|-----|----------------|---|----|
| 82 | 1SS-3C-077 | Chain Stop | 1 |
| 83 | 1SS-3C-078 | Pin | 1 |
| 84 | 5SS-3C-079 | Bottom Hook Assembly for 5T | 1 |
| 85 | 2SS-3C-08007 | Pin | 1 |
| 86 | 1/2SS-3C-010 | Plain Washer 10mm | 1 |
| 87 | 1SS-3C-08009 | Slotted Hex Nut M10 | 1 |
| 88 | 5SS-3C-088 | Cotton Pin 2.5x20 | 1 |
| 89 | 5SS-3C-08006 | Chain Holder | 1 |
| 90 | 1SS-3C-081 | Phillips Pan Head Machine Screw M8x16 | 1 |
| 91 | 1/2SS-3C-082 | Lock Washer 8mm | 1 |
| 92 | 1/2SS-3C-053 | Plain Washer 8mm | 1 |
| 93 | 1/2SS-1C-085 | Electric Component Board for 1 Phase | 1 |
| | 1/2SS-3C-085 | Electric Component Board for 3 Phase | 1 |
| 94 | 1/2SS-3C-086 | Volts Conversion (for 3 Phase Single Speed) | 1 |
| | 1/2DS-3C-086A | Volts Conversion (for 3 Phase Dual Speed) | 1 |
| 95 | 1/2SS-3C-047 | Phillips Pan Head Machine Screw (for 1 Phase only) M4x6 | 1 |
| 96 | TS-2361041 | Lock Washer (for 1 Phase only) 4mm | 1 |
| 97 | TS-1550021 | Plain Washer (for 1 Phase only) 4mm | 1 |
| 98 | 1/2SS-3C-090UG | Female Connector for Push Button Cord 7P | 1 |
| 99 | 1/2SS-3C-091UG | Quick Connector Board | 1 |
| 100 | 1/2SS-3C-092UG | Female Connector for Power Cord 4P | 1 |
| 101 | 1SS-1C-093 | Contactor Holder for 1 Phase | 1 |
| | 1/2SS-3C-093 | Contactor Holder for 3 Phase | 1 |
| 102 | TS-2284082 | Phillips Pan Head Machine Screw M4x8 | 2 |
| 103 | TS-2361041 | Lock Washer 4mm | 2 |
| 104 | TS-1550021 | Plain Washer 4mm | 2 |
| 105 | 1/2SS-1C-097UG | Magnetic Contactor for 1 Phase | 2 |
| | 1/2SS-3C-097UG | Magnetic Contactor for 3 Phase (Single Speed 2pcs, Dual Speed 4Pcs) | |
| 106 | 1/2SS-3C-098 | Reverse Phase Inspector (3 Phase only) 230V/460V/3Ph/60Hz | 1 |
| 107 | 1SS-3C-102UG | Motor Side Cover | 1 |
| 108 | 1/2SS-3C-103UG | Phillips Pan Head Machine Screw M3x12 | 8 |
| 109 | 1/2SS-3C-104 | Pushbutton Control for 1 Phase and 3 Phase, Single Speed | 1 |
| | 1/2DS-3C-104 | Pushbutton Control for 3 Phase, Dual Speed | 1 |
| 110 | 1/2SS-3C-105UG | Male Plug 7P | 1 |
| 111 | 1/2SS-3C-106 | Cable Holder | 1 |
| 112 | 1/2SS-3C-022 | Lock Nut M6 | 1 |
| 113 | 5SS-3C-108 | ID Label for 5T | 1 |
| 114 | 1/2SS-3C-109 | Phillips Pan Head Machine Screw M3x6 | 4 |
| 115 | 1/2SS-3C-110 | Lock Washer 3mm | 12 |
| 116 | 1/2SS-3C-111 | Plain Washer 3mm | 12 |
| 117 | 1/2SS-1C-099-A | Solid State Switch (1 Phase only) | 1 |
| 118 | TS-2284352 | Phillips Pan Head Machine Screw M4x35 | 2 |
| 119 | 1/2SS-1C-101 | Capacitor (for 1 Phase only) Ø65, 600uF | 1 |
| 120 | 1/2SS-1C-113 | Capacitor Holder (for 1 Phase only) Ø 65 | 1 |
| 121 | 1/2SS-1C-114 | Rectifier (for 1 Phase only) 50A | 1 |
| 122 | 1SS-1C-112 | First Gear Shaft Assembly (for 1 Phase only) | 1 |
| 123 | 1/2SS-3C-123UG | Male Plug 4P | 1 |
| 128 | 1/2SS-3C-128 | Lock Nut M3 | 8 |
| 129 | 1SS-3C-129 | Chain Guide | 1 |
| 130 | 1/2SS-3C-130 | Fuse 2A | 1 |
| 131 | 1/2SS-3C-131 | Fuse Cover | 1 |

Parts List: Hook Assemblies (5-Ton only)

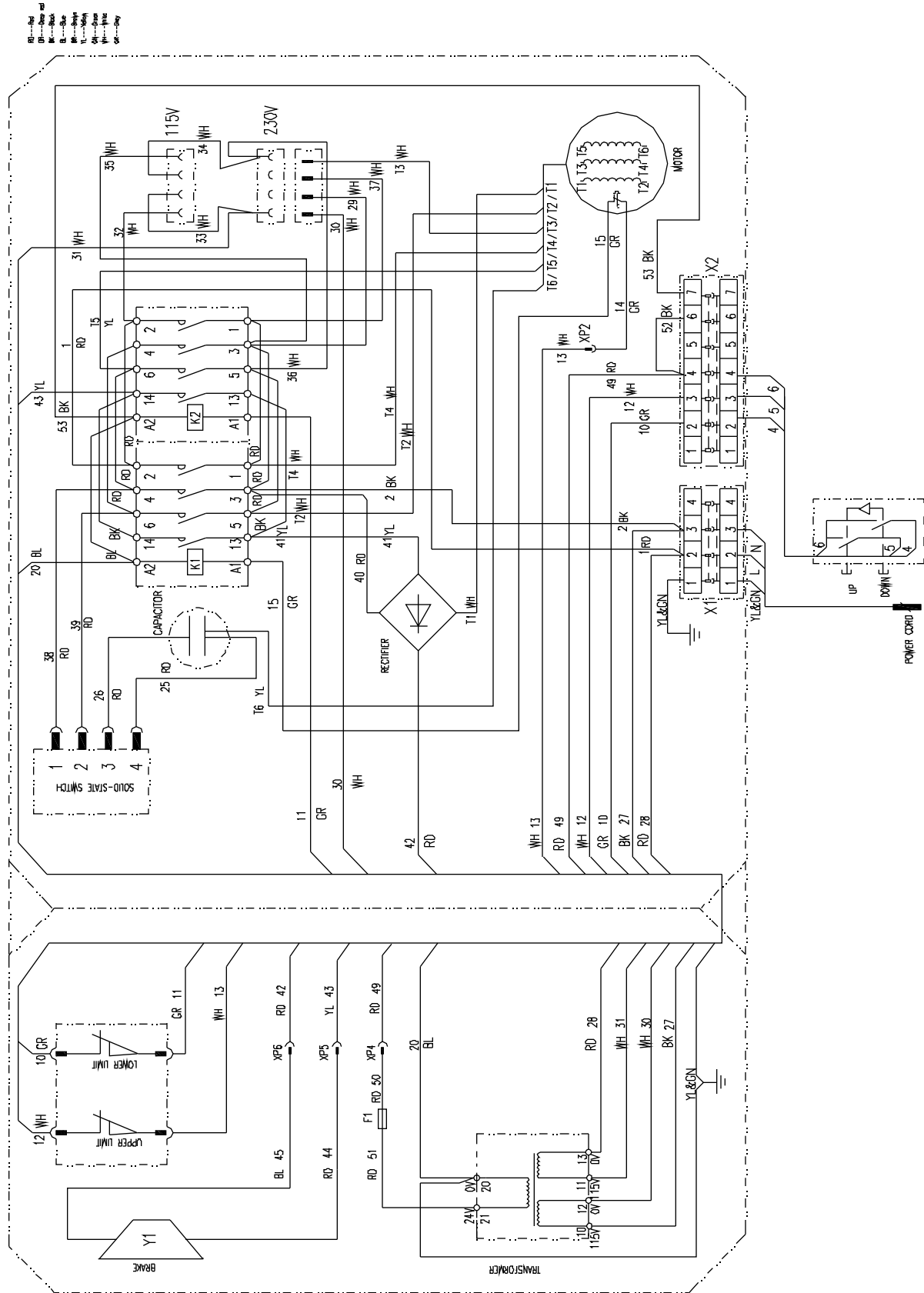


Parts List: Hook Assemblies (5-Ton only)

Exploded view on page 43.

| Index No. | Part No. | Description | Size | Qty |
|-----------|----------------|--|---------|-----|
| 17 | 5SS-3C-017 | Top Hook Assembly for 5 Ton | | 1 |
| 17-1 | TS-2284302 | Phillips Pan Head Machine Screw | M4x30 | 1 |
| 17-2 | 5SS-3C-01702 | Hook Latch | | 1 |
| 17-3 | 5SS-3C-01703 | Latch Spring | | 1 |
| 17-4 | 5SS-3C-01704 | Top Hook | | 1 |
| 17-5 | 5SS-3C-01705 | Lock Nut | M4 | 1 |
| 17-6 | 5SS-3C-01706 | Connecting Bar | | 1 |
| 17-7 | 5SS-3C-01707 | Plain Washer | | 1 |
| 17-8 | 5SS-3C-01708 | Hook Nut | | 1 |
| 17-9 | 5SS-3C-01709 | Roll Pin | 5x40mm | 1 |
| 79 | 5SS-3C-079 | Bottom Hook Assembly for 5 Ton | | 1 |
| 79-1 | 5SS-3C-07901 | Socket Head Cap Screw | M10x65 | 4 |
| 79-2 | 1/2SS-3C-009 | Lock Washer | 10mm | 4 |
| 79-3 | 5SS-3C-07903 | Bottom Hook Housing | | 2 |
| 79-6 | 5SS-3C-07906 | Plain Washer | | 1 |
| 79-7 | 5SS-3C-07907 | Thrust Ball Bearing | 8306 | 1 |
| 79-8 | 5SS-3C-07908 | Collar | | 1 |
| 17-0 | 5SS-3C-01700 | Hook Latch Assembly (index #17-1,17-2,17-3,17-5) | | 1 |
| 17-1 | TS-2284302 | Phillips Pan Head Machine Screw | M4x30 | 1 |
| 17-2 | 5SS-3C-01702 | Hook Latch | | 1 |
| 17-3 | 5SS-3C-01703 | Latch Spring | | 1 |
| 17-4 | 5SS-3C-01704 | Top Hook | | 1 |
| 17-5 | 1/2SS-3C-01705 | Lock Nut | M4 | 1 |
| 17-8 | 5SS-3C-01708 | Hook Nut | | 1 |
| 17-9 | 5SS-3C-01709 | Roll Pin | 5x40mm | 1 |
| 79-14 | 3SS-3C-07922 | Hex Bolt | M6x12 | 8 |
| 79-15 | 1/2SS-3C-012 | Lock Washer | 6mm | 8 |
| 79-16 | 1/2SS-3C-011 | Plain Washer | 6mm | 8 |
| 79-17 | 3SS-3C-061 | Hinge Plate | | 4 |
| 79-18 | 3SS-3C-07901 | Lock Nut | M10 | 4 |
| 79-19 | 3SS-3C-083 | Needle | 3x39.8b | 48 |
| 79-20 | 3SS-3C-088 | Sheave | | 2 |
| 79-21 | 5SS-3C-07921 | Sheave Shaft | | 2 |

Electrical Connections: Single Phase Only



WIRING DIAGRAM FOR ELECTRIC HOISTS IN 1 PHASE WITH SINGLE SPEED