



# SERVICE PARTS LIST

**BULLETIN NO.**  
**54-22-1025**

SPECIFY CATALOG NO. AND SERIAL NO. WHEN ORDERING PARTS		REVISED BULLETIN	DATE
<b>D. I. DIE GRINDER</b>		54-22-1024	Oct. 2012
<b>CATALOG NO.</b>	<b>5192</b>	<b>WIRING INSTRUCTION</b>	
	<b>STARTING SERIAL NO.</b>	<b>58-01-0309</b>	
	<b>669B</b>		

**EXAMPLE:**  

00	0
----	---

 Component Parts (Small #) Are Included When Ordering The Assembly (Large #).

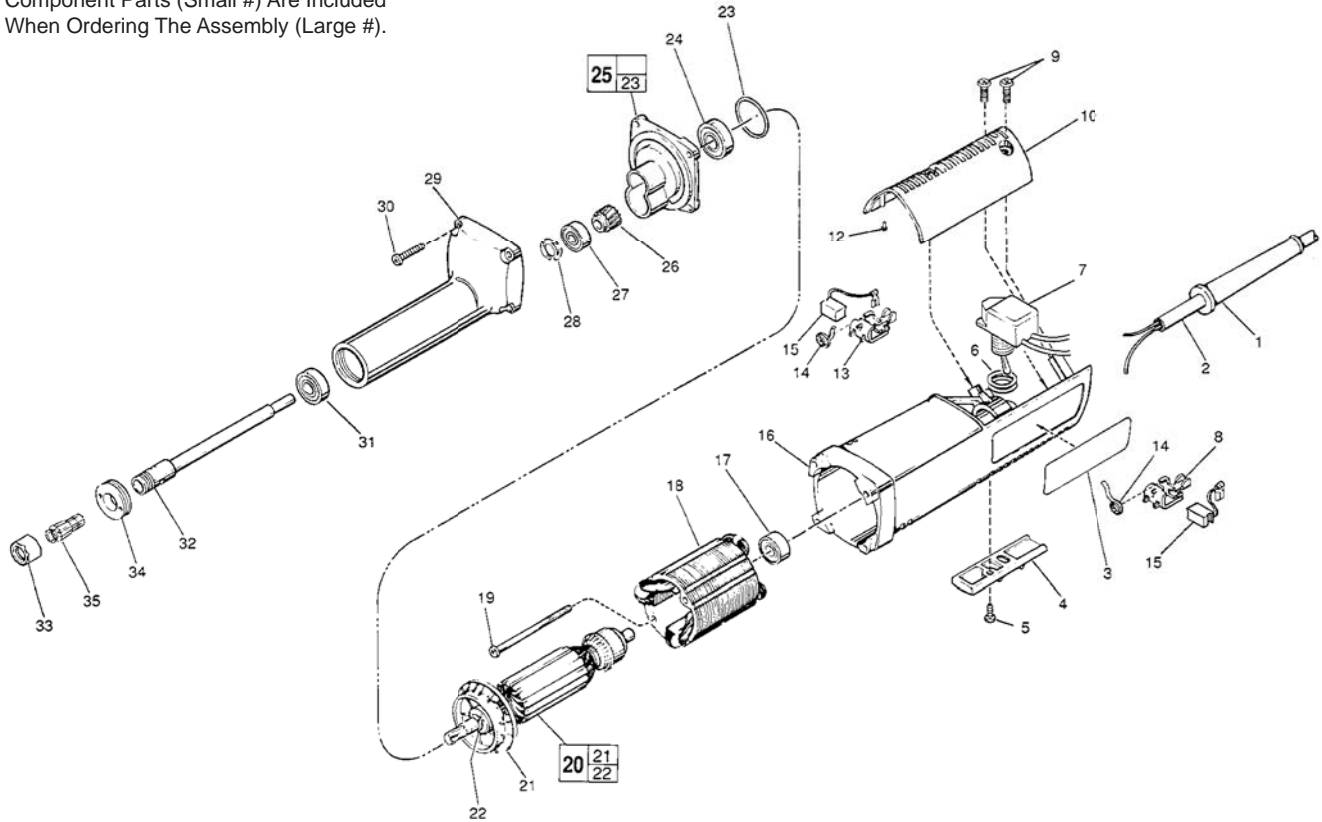


FIG.	PART NO.	DESCRIPTION OF PART	NO. REQ.
	1	Cord Protector	(1)
	2	Cord Set	(1)
★	3	Service Nameplate Kit	(1)
★	4	Trigger Cover	(1)
	5	8-16 x 1/2" Pan Hd. T-20 Plastite Screw	(1)
★	6	O-Ring	(2)
★	7	Switch	(1)
	8	Left Brush Holder	(1)
	9	8-16 x 5/8" Pan Hd. T-20 Plastite Screw	(3)
★	10	Motor Housing Cover	(1)
	12	Rubber Bumper	(2)
	13	Right Brush Holder	(1)
	14	Brush Spring	(2)
	15	Carbon Brush	(2)
	16	Motor Housing	(1)
	17	Ball Bearing	(1)
	18	120 Volt Field	(1)
	19	8-16 x 2-1/2" Pan Hd. Plast. T-20 Screw	(2)

FIG.	PART NO.	DESCRIPTION OF PART	NO. REQ.	
	20	120 Volt Armature	(1)	
	21	Fan	(1)	
	22	Ball Brg. Retaining Ring	(1)	
	23	O-Ring	(1)	
	24	Ball Bearing	(1)	
	25	Diaphragm Assembly	(1)	
	26	Spindle Gear	(1)	
	27	Ball Bearing	(1)	
	28	Finger Washer	(1)	
★	29	Spindle Housing	(1)	
	30	8-16 x 1" Pan Hd. Slit. Plast. T-20 Screw	(4)	
	31	Ball Bearing	(1)	
★	32	Spindle Shaft	(1)	
★	33	1/4" Collet Nut	(1)	
	34	Bearing Lock Nut	(1)	
	35	1/4" Collet	(1)	
		49-96-4040	1/2" Open End Wrench (Not Shown)	(1)
		49-96-4090	11/16" Open End Wrench (Not Shown)	(1)

**FIG. LUBRICATION**

29 1/4 Oz. Type "G" Grease, No. 49-08-4140.