



SERVICE PARTS LIST

BULLETIN NO.
55-22-1400

SPECIFY CATALOG NO. AND SERIAL NO. WHEN ORDERING PARTS		REVISED BULLETIN	DATE
50mm DIE GRINDER			June 2006
CATALOG NO.	5196-50	STARTING SERIAL NO.	960A
		WIRING INSTRUCTION 58-03-1750	

00
0

EXAMPLE:

Component Parts (Small #) Are Included
When Ordering The Assembly (Large #).

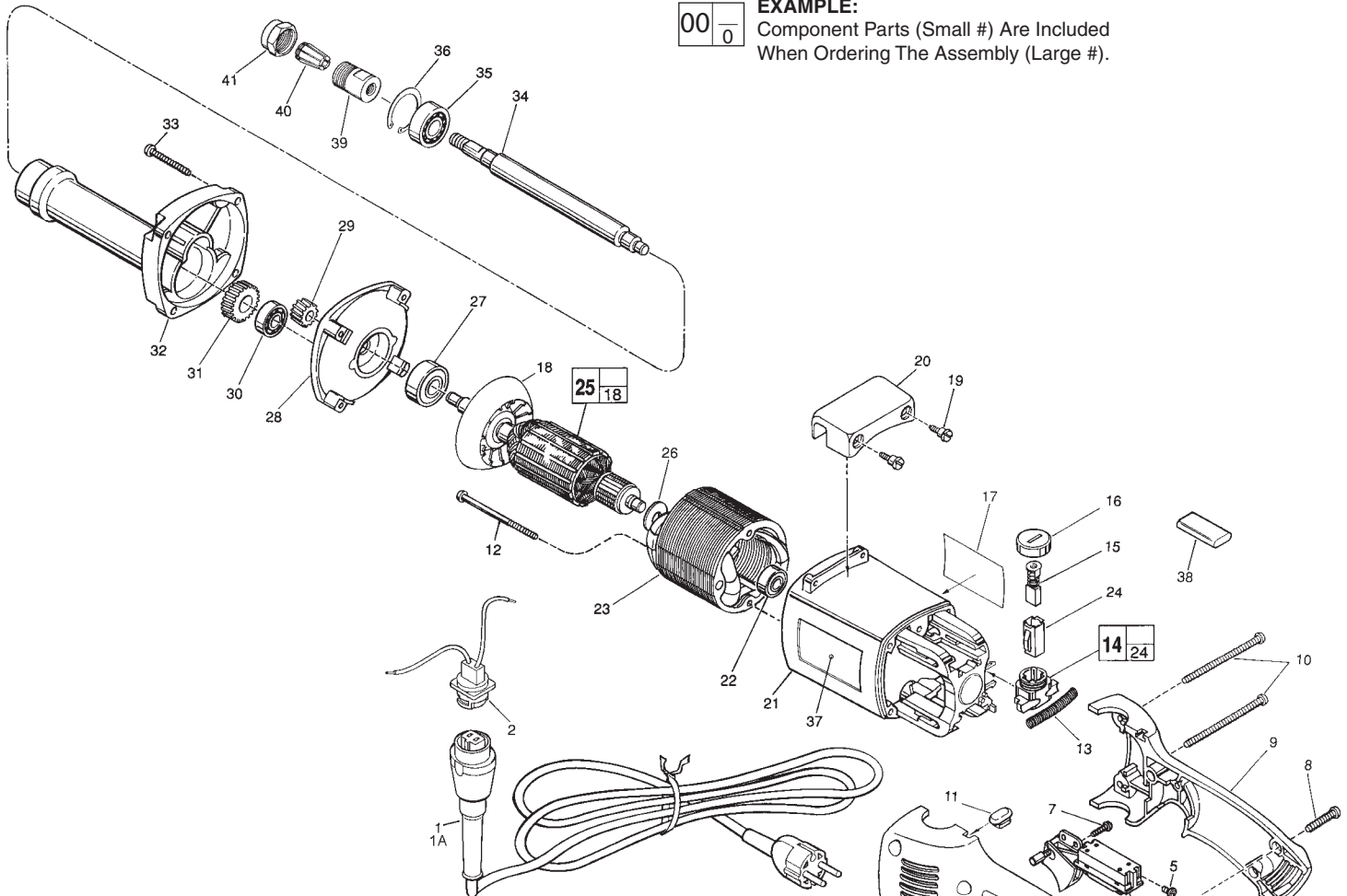


FIG.	PART NO.	DESCRIPTION OF PART	NO. REQ.
1	48-76-5012	Quik-Lok Cord Set	(1)
1A	22-64-0684	Quik-Lok Cord Set (Australia)	(1)
2	22-56-0689	Blade Housing Assembly	(1)
3	31-44-1170	Left Handle Half	(1)
4	06-55-1050	10-24 Hex Nut	(5)
5	05-78-0305	Switch Screw T-15	(4)
6	23-66-1804	Switch	(1)
7	06-82-7409	8-16 x 1/2" Pan Hd. Plastite T-20	(1)
8	06-82-2568	10-24 x 7/8" Pan Hd. Slit. T-25	(3)
9	31-44-1175	Right Handle Half	(1)
10	06-82-2598	10-24 x 2-3/4" Pan Hd. Slit. T-25	(2)
11	42-38-0190	Bumper	(1)
12	06-82-7375	8-16 x 2-1/2" Taptite T-20	(2)
13	40-50-7770	Brush Holder Spring	(2)
14	22-22-1325	Brush Holder Assembly	(2)
15	22-18-0725	Carbon Brush Assembly	(2)
16	23-44-0210	Brush Retaining Screw	(2)
17	12-20-5196	Service Nameplate Kit	(1)
18	22-84-0710	Fan	(1)
19	45-04-0720	Shoulder Screw	(2)
20	31-70-0125	Tool Rest	(1)
21	31-50-0548	Motor Housing	(1)
22	02-04-0845	Ball Bearing	(1)
23	18-56-0091	Field	(1)
24	22-20-0660	Brush Tube	(2)
25	16-56-1140	Armature	(1)
★ 26	23-16-1700	Commutator Insulator	(1)
27	02-04-1515	Ball Bearing	(1)
28	28-28-1567	Diaphragm	(1)
29	32-02-3020	Armature Gear	(1)

FIG. REQ.	PART NO.	DESCRIPTION OF PART	NO.
30	02-04-0910	Ball Bearing	(1)
31	32-75-3090	Spindle Gear	(1)
32	28-50-6196	Spindle Housing	(1)
33	06-82-7407	10-14 x 1-9/16" Pan Hd. T-20	(4)
34	38-50-5321	Spindle Shaft	(1)
35	02-04-1745	Ball Bearing	(1)
36	34-80-2960	Internal Retaining Ring	(1)
37	10-15-5196	Logo Label	(1)
38	22-33-0535	Suppressor	(1)
39	48-68-0050	Collet Body	(1)
40	48-66-0976	8mm Collet	(1)
	48-66-0978	6mm Collet	(1)
41	44-40-0471	Collet Nut	(1)
	49-96-4050	9/16" Open End Wrench	(1)
	49-96-4070	7/8" Open End Wrench	(1)
	49-96-4100	1-1/4" Open End Wrench	(1)

FIG. LUBRICATION

32 22 grams of Type "G" Grease, No. 49-08-4140.

MILWAUKEE ELECTRIC TOOL CORPORATION
13135 W. LISBON RD., BROOKFIELD, WI 53005
Drwg. 4