



SERVICE PARTS LIST

BUL.54-22-2035

4" GRINDER

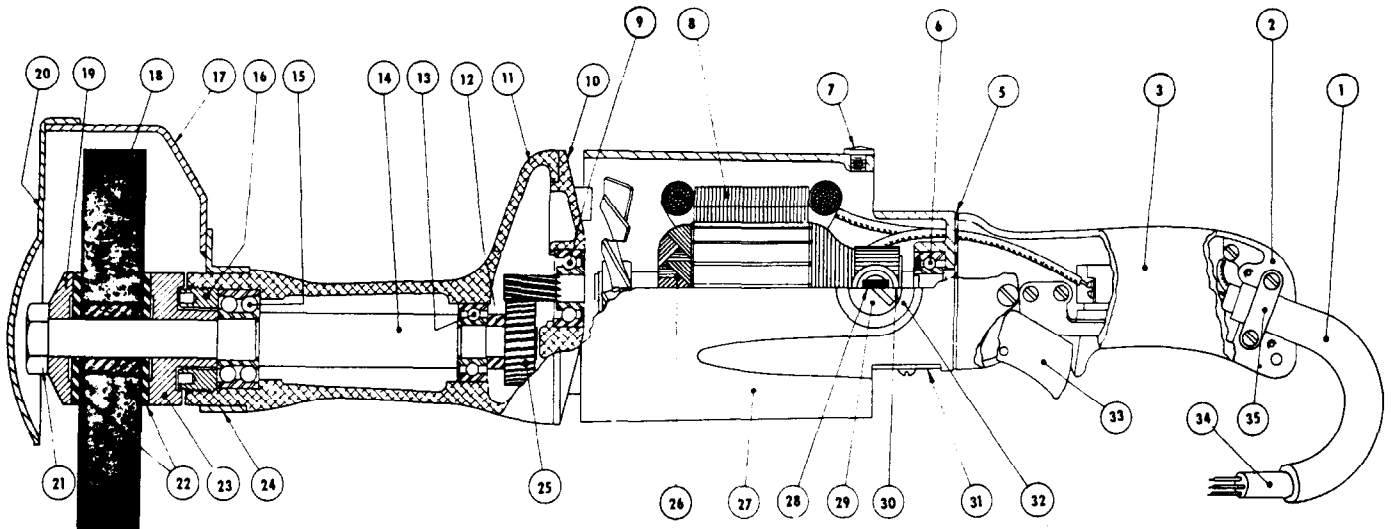
REVISED BUL 674-6 DATE Feb. '68

Catalog No. 5200

Starting Serial No. **74-1655**

WIRING INSTR.

Both Model and Serial No. must be furnished to obtain correct parts.



CORRECTS AND SUPERCEDES SERVICE BULLETIN 674-6 DATED 7/20/58

ILLUSTRATED PARTS

| FIG. | PART NO. | DESCRIPTION OF PART |
|------|------------|-------------------------------|
| 2 | 28-44-1041 | Handle (Switch Mounting Side) |
| 3 | 28-44-9081 | Handle (Switch Cover Side) |
| 5 | 43-86-0050 | Handle Insulator |
| 6 | 02-04-1070 | Ball Bearing (Comm. End) |
| 7 | 06-77-1400 | Drive Screw Tool Rest Button |
| 8 | 18-82-1010 | Field Assembly |
| 9 | 02-04-1260 | Ball Bearing (Pinion End) |
| 10 | 28-28-0421 | Diaphragm |
| 11 | 28-50-7601 | Spindle Housing |
| 12 | 45-36-0220 | Spindle Gear Spacer |
| 13 | 02-04-1520 | Ball Bearing (Inner) |
| 14 | 38-50-2051 | Spindle |
| 15 | 02-20-1720 | Ball Bearing (Outer) |
| 16 | 44-40-0180 | Bearing Lock Nut |
| 17 | 43-54-0100 | 4" Guard Assembly |
| 18 | 49-92-1140 | 31H Grit Grinding Wheel |
| 19 | 49-92-1160 | 46 Grit Grinding Wheel |
| 20 | 49-92-1180 | 60 Grit Grinding Wheel |

| FIG. | PART NO. | DESCRIPTION OF PART |
|------|-------------|---------------------------------------|
| 19 | 43-34-0050 | Outer Wheel Flange |
| 20 | See Fig. 17 | Sold only as an Assembly |
| 21 | 06-55-2850 | 1/2"-13 Thread Spindle Nut |
| 22 | 45-88-0190 | Rubber Flange Washers (2) |
| 23 | 43-34-0070 | Inner Wheel Flange |
| 24 | See Fig. 17 | Sold only as an Assembly |
| 25 | 32-75-2201 | Spindle Gear |
| 26 | 16-82-1660 | Armature Assembly |
| 27 | 28-50-4562 | Motor Housing |
| 28 | 22-18-0080 | Carbon Brush Assemblies (per set 2) |
| 29 | 23-44-0065 | Brush Ret. Cap Assemblies (per set 2) |
| 30 | 22-22-0055 | Brush Holder Assembly (2) |
| 31 | 44-66-0100 | Commutator Cover Plate |
| 32 | 22-24-0100 | Brush Holder Bushing Steel (2) |
| 33 | 23-66-0250 | Switch Assembly |
| 34 | 22-64-0090 | Cord Set |
| 35 | 28-17-0200 | Cord Clamp Strap |

| PART NO. | DESCRIPTION OF PART |
|------------|---|
| 28-79-0241 | Tool Rest |
| 48-03-0010 | Adapter Plug |
| 12-98-2900 | Name Plate |
| 23-86-0075 | Insulating Washer (2) |
| 06-81-6100 | 8-32x7/16" Fil. Hd. Sems Cord Clamp Strap Scs (2) |
| 06-81-7150 | 10-24x1-3/8" Fil. Hd. Spindle Housing Scs. Sems (4) |
| 06-81-3750 | 8-32x1" Oval Hd. Handle Cover Screws |
| 06-81-3700 | 8-32x7/8" Oval Hd. Handle Cover Screws (2) |
| 06-81-3650 | 8-32x3/4" Oval Hd. Switch Handle Screws (4) |

MISCELLANEOUS PARTS NOT SHOWN

| PART NO. | DESCRIPTION OF PART |
|------------|---|
| 06-83-2650 | 1/4"-20x3/8" Hd'less Brush Holder Set Screws (2) |
| 06-81-6750 | 8-32x2-1/2" Fil. Hd. Sems Field Screws (2) |
| 06-81-8625 | 6-32x1/4" Rd. Hd. Sems Ground Wire Screw (Brass) |
| 06-77-0450 | 4-1/4" Rd. Hd. Name Plate Screws (2) |
| 06-81-8650 | 6-32x1/4" Rd. Hd. Comm. Cover Plate Screws Sems (2) |
| 06-81-6950 | 10-24x1/2" Fil. Hd. Sem Tool Rest Screws (2) |
| 06-81-5400 | 8-32x5/16" Binder Hd. Sems Switch Mtg. Screws (2) |
| 06-42-2000 | Woodruff Key |

Numbers in brackets indicate number required.