



SERVICE PARTS LIST

4" GRINDER

Catalog No. 5200

Starting
Serial No. **74-3698**

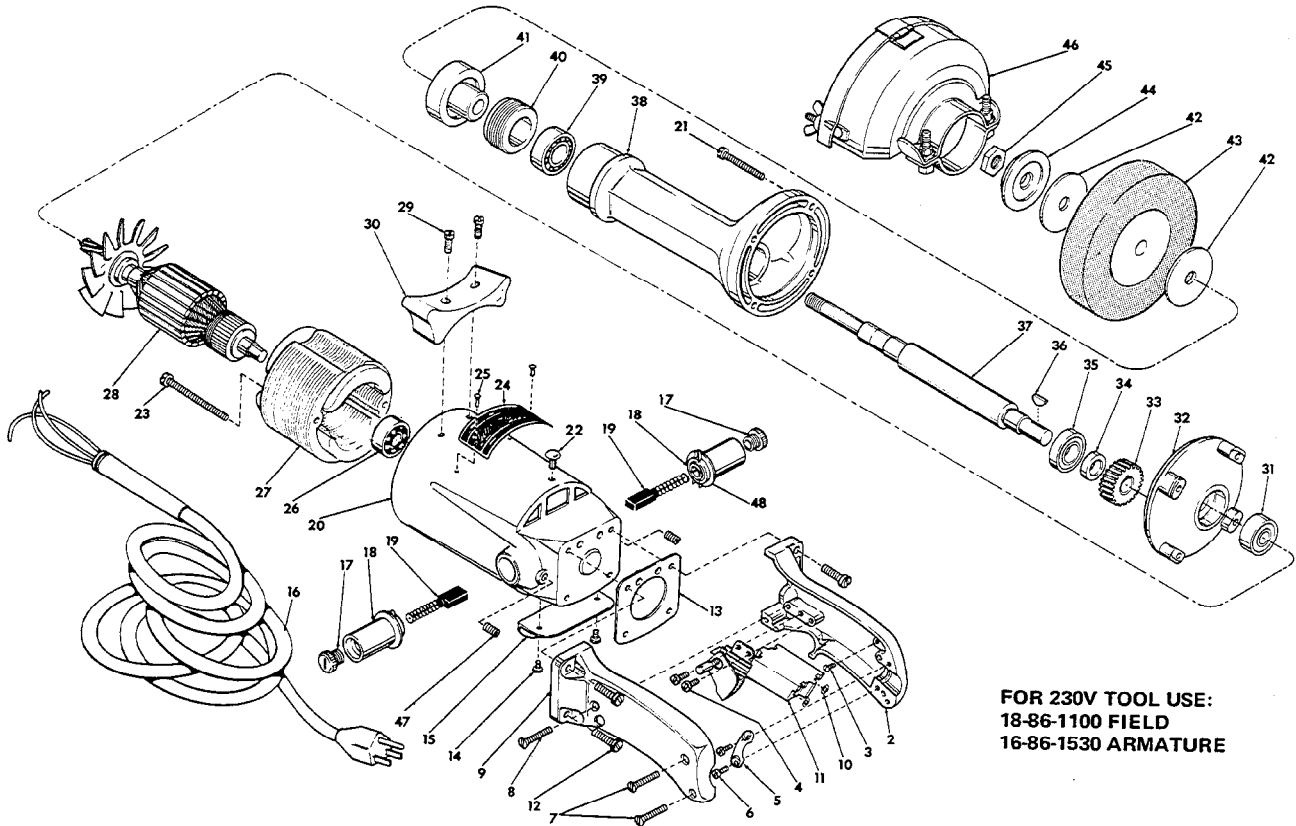
BUL. 54-22-2038

REVISED BUL. 54-22-2037 DATE Apr. '75

WIRING INSTRUCTIONS
58-01-0310

Specify Catalog and Serial No. when ordering parts

6000 R.P.M.



**FOR 230V TOOL USE:
18-86-1100 FIELD
16-86-1530 ARMATURE**

FIG.	PART NO.	DESCRIPTION	NO. REQ.	FIG.	PART NO.	DESCRIPTION	NO. REQ.
★ 1	28-44-1042	Switch Handle Assembly (Includes Fig. Nos. 2, 7, 8 and 9)	(1)	★ 25	06-85-0200	6x1/4 Rd. Hd. Type Z Screw	(2)
2		Handle (Switch Mount Side)	(1)	26	02-04-1070	Ball Bearing	(1)
3	06-81-8625	6-32x1/4 Ground Screw	(1)	27	18-82-1110	Field Assembly	(1)
4	06-81-5400	8-32x5/16 Binder Sem	(2)	28	16-82-1660	Armature Assembly	(1)
5	28-17-0200	Clamp Strap	(1)	29	06-81-6950	10-24x1/2 Fil. Hd. Sem	(2)
6	06-81-6150	8-32x1/2 Fil. Hd. Sem	(2)	30	28-79-0241	Tool Rest	(1)
7	06-81-3700	8-32x7/8 Oval Hd. Screw	(2)	31	02-04-1260	Ball Bearing	(1)
8	06-81-3750	8-32x1 Oval Hd. Screw	(1)	32	28-28-0421	Diaphragm	(1)
9		Handle (Switch Cover Side)	(1)	33	32-75-2201	Spindle Gear	(1)
10	06-97-1800	Lockwasher	(4)	★ 34	45-36-0221	Spindle Gear Spacer	(1)
11	23-66-0250	Switch	(1)	★ 35	02-04-1515	Ball Bearing	(1)
12	06-81-7620	12-28x3/4 Fil. Hd. Sem	(4)	36	06-42-2000	Woodruff Key	(1)
13	43-86-0050	Handle Insulator	(1)	37	38-50-2051	Spindle	(1)
14	06-81-8650	6-32x1/4 Rd. Hd. Sem	(2)	38	28-50-7601	Spindle Housing	(1)
15	44-66-0100	Cover Plate	(1)	39	02-20-1720	Ball Bearing	(1)
16	22-64-0090	Cord Set	(1)	40	44-40-0180	Lock Nut	(1)
17	23-44-0065	Brush Retaining Screw	(2)	41	43-34-0070	Inner Wheel Flange	(1)
★ 18	22-22-0291	Brush Holder Assy.	(2)	42	45-88-0190	Rubber Washer	(2)
19	22-18-0260	Carbon Brush Assy.	(2)	43		Grinding Wheel (select from catalog)	(1)
★ 20	28-50-4564	Motor Housing	(1)	44	43-34-0050	Outer Wheel Flange	(1)
21	06-81-7150	10-24x1-3/8 Fil. Hd. Sem	(4)	45	06-55-2850	1/2-13 Hex Nut	(1)
22	06-77-1400	14x5/16 Driv-In Screw	(1)	★ 46	49-12-0130	Wheel Guard Assy.	(1)
23	06-81-9200	10-24x2-1/2 Rd. Hd. Sem	(2)	47	06-83-2725	1/4-28x3/8 Hdls. Set Screw	(2)
★ 24	12-99-0032	Nameplate	(1)	★ 48	23-86-0060	Washer	(2)