



SERVICE PARTS LIST

BULLETIN NO.
54-22-1032

SPECIFY CATALOG NO. AND SERIAL NO. WHEN ORDERING PARTS		REVISED BULLETIN 54-22-1031	DATE May 2005
6" STRAIGHT GRINDER			
CATALOG NO. 5243	STARTING SERIAL NUMBER	663B	
		WIRING INSTRUCTION 58-01-1307	

00
0

EXAMPLE:

Component Parts (Small #) Are Included When Ordering The Assembly (Large #).

★ = Part number change from previous service parts list.

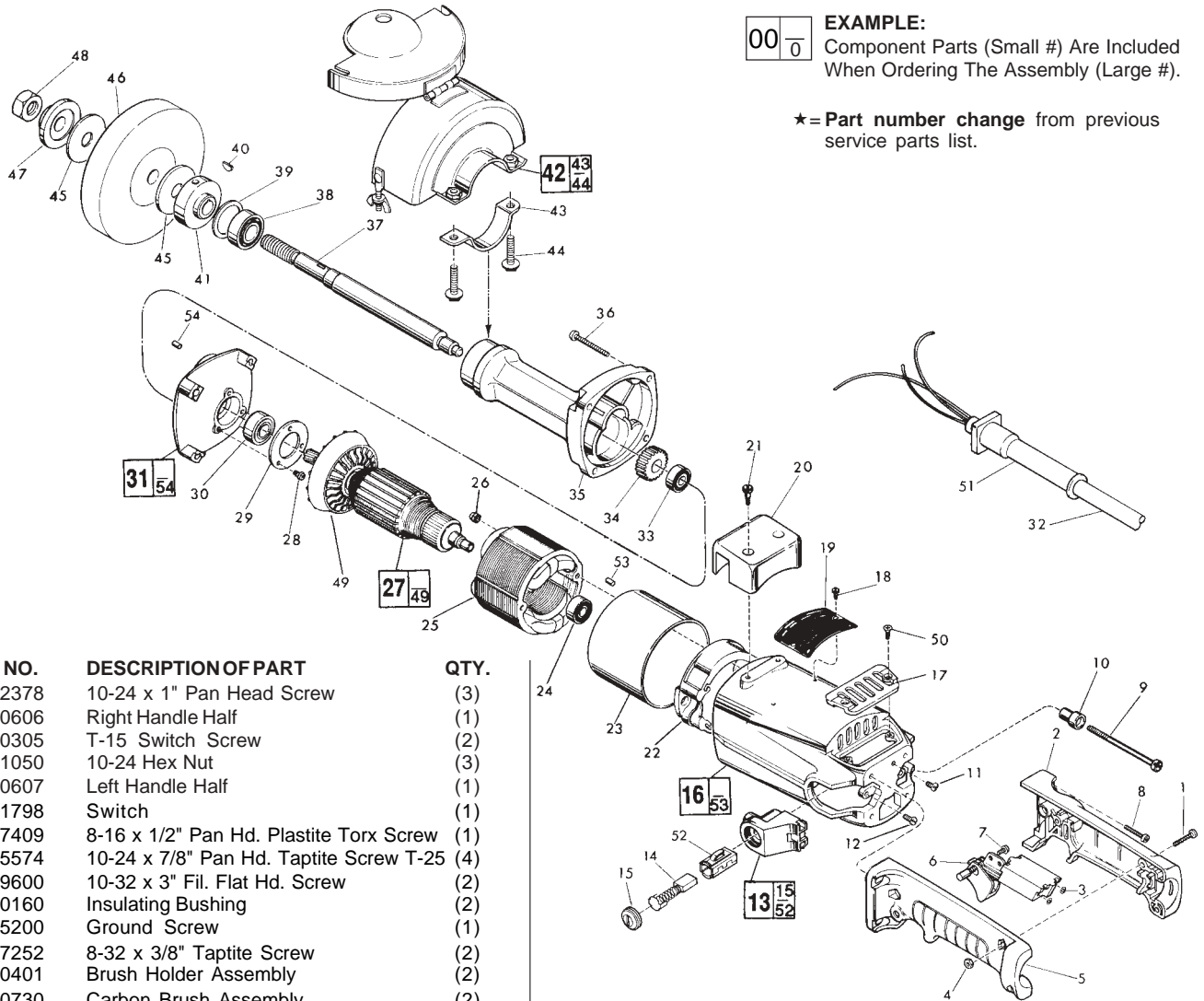


FIG.	PART NO.	DESCRIPTION OF PART	QTY.
	1	10-24 x 1" Pan Head Screw	(3)
	2	Right Handle Half	(1)
★	3	T-15 Switch Screw	(2)
	4	10-24 Hex Nut	(3)
	5	Left Handle Half	(1)
★	6	Switch	(1)
★	7	8-16 x 1/2" Pan Hd. Plastite Torx Screw	(1)
★	8	10-24 x 7/8" Pan Hd. Taptite Screw T-25	(4)
★	9	10-32 x 3" Fil. Flat Hd. Screw	(2)
	10	Insulating Bushing	(2)
	11	Ground Screw	(1)
★	12	8-32 x 3/8" Taptite Screw	(2)
	13	Brush Holder Assembly	(2)
★	14	Carbon Brush Assembly	(2)
	15	Brush Retaining Cap	(2)
	16	Motor Housing Assembly	(1)
	17	Cover Plate	(1)
	18	Nameplate Screw	(2)
	19	Nameplate Blank	(1)
	20	Tool Rest	(1)
★	21	Shoulder Screw	(2)
	22	Coil Shield	(1)
	23	Insulating Sleeve	(1)
★	24	Ball Bearing	(1)
	25	120 Volt Field	(1)
	26	10-32 Locking Hex Nut	(2)
	27	120 Volt Armature	(1)
★	28	8-32 x 3/8" Taptite Screw	(3)
	29	Ball Bearing Retainer	(1)
★	30	Ball Bearing	(1)
	31	Diaphragm Assembly	(1)
	32	Cord Set	(1)
	33	Ball Bearing	(1)
	34	Spindle Gear	(1)
	35	Spindle Housing	(1)
★	36	1/4-20 x 1-1/2" Taptite Screw	(4)
	37	Spindle	(1)
★	38	Ball Bearing	(1)
	39	Internal Retaining Ring	(1)
	40	Woodruff Key	(1)
	41	Inner Wheel Flange	(1)

FIG.	PART NO.	DESCRIPTION OF PART	QTY.
	42	6" Wheel Guard	(1)
★	43	Clamp	(1)
★	44	5/16-18 Grade 8 Bolt	(2)
	45	Flange Rubber Washer	(2)
	46	6" Grinding Wheel (see catalog)	(1)
	47	Outer Wheel Flange	(1)
	48	5/8-11 Hex Nut	(1)
	49	Fan	(1)
★	50	8-32 x 3/8" Oval Hd. Taptite Screw	(2)
	51	Cord Protector	(1)
	52	Brush Tube	(2)
	53	Ball Bearing Retaining Slug	(1)
	54	Ball Bearing Retaining Slug	(1)
		Spanner Wrench	(1)
		1-1/16" Open End Wrench	(1)

FIG. 6 NOTES
Assemble Switch to Left Handle Half.

FIG. 35 LUBRICATION
Important! Completely clean out old grease from the spindle housing and replace with 1-1/2 Oz. Type "Y" Grease, No. 49-08-5270.