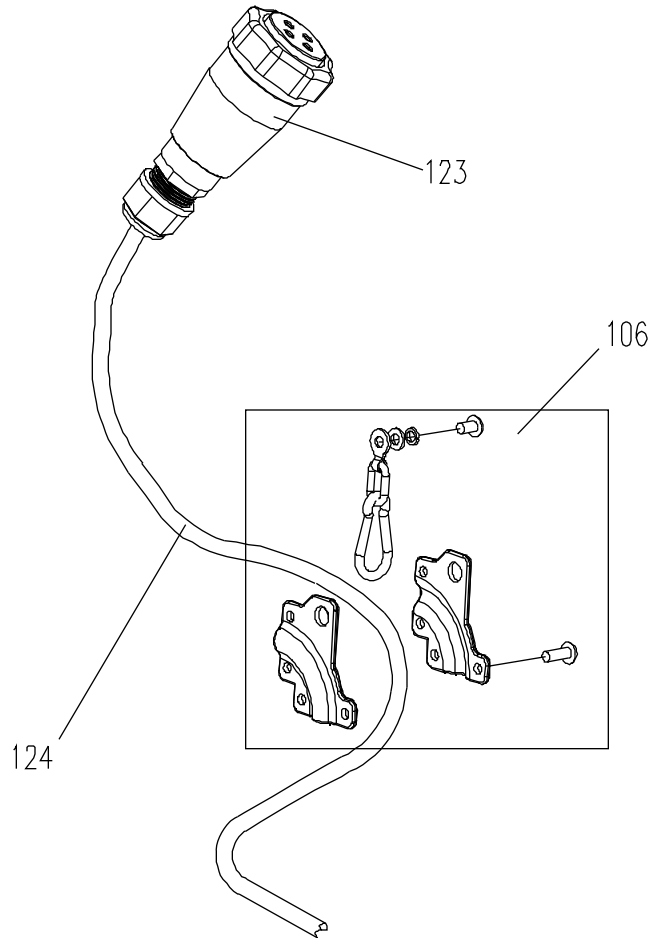


Replacement Parts

Replacement parts are listed on the following pages. To order parts or reach our service department, call 1-800-274-6848 Monday through Friday (see our website for business hours, www.jettools.com). Having the Model Number and Serial Number of your machine available when you call will allow us to serve you quickly and accurately.

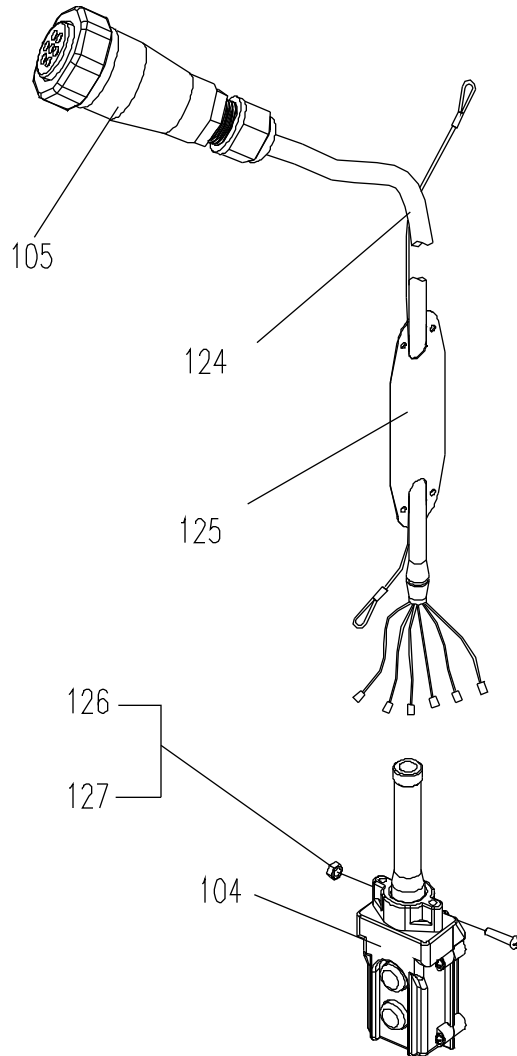
Power Cord Assembly

Index No.	Part No.	Description	Size	Qty
106	1/2SS-3C-106	Cord Holder Assembly		1
123	1/2SS-3C-123UG	Male Plug	4P	1
124	1/2SS-1C-124	Power Cord for 1 Phase		1
	1/2SS-3C-124	Power Cord for 3 Phase		1

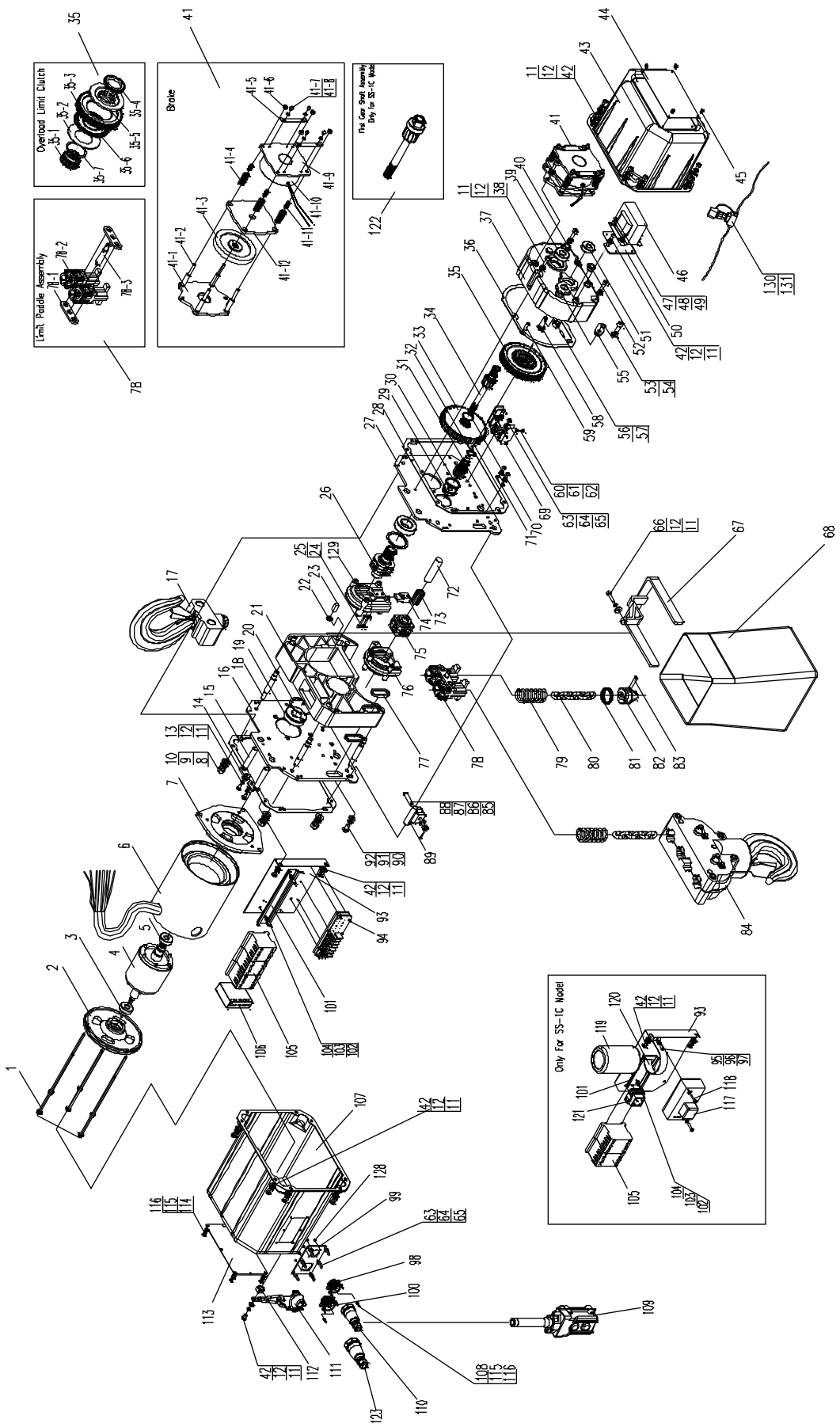


Control Pendant Assembly

Index No.	Part No.	Description	Size	Qty
104	1/2SS-3C-104	Pushbutton Control (1 and 3 Phase, Single Speed)		1
	1/2DS-3C-104	Pushbutton Control (3 Phase, Dual Speed)		1
105	1/2SS-3C-105UG	Male Plug	7P	1
124	1/2SS-3C-124A	Pushbutton Cord		1
125	1/2SS-3C-125	Caution Tag		1
126	1/2SS-3C-126	Phillips Pan Head Machine Screw	M4x25	1
127	TS-1541001	Nylon Lock Hex Nut	M4	1



5-Ton Chain Hoist



Parts List: 5-Ton Chain Hoist

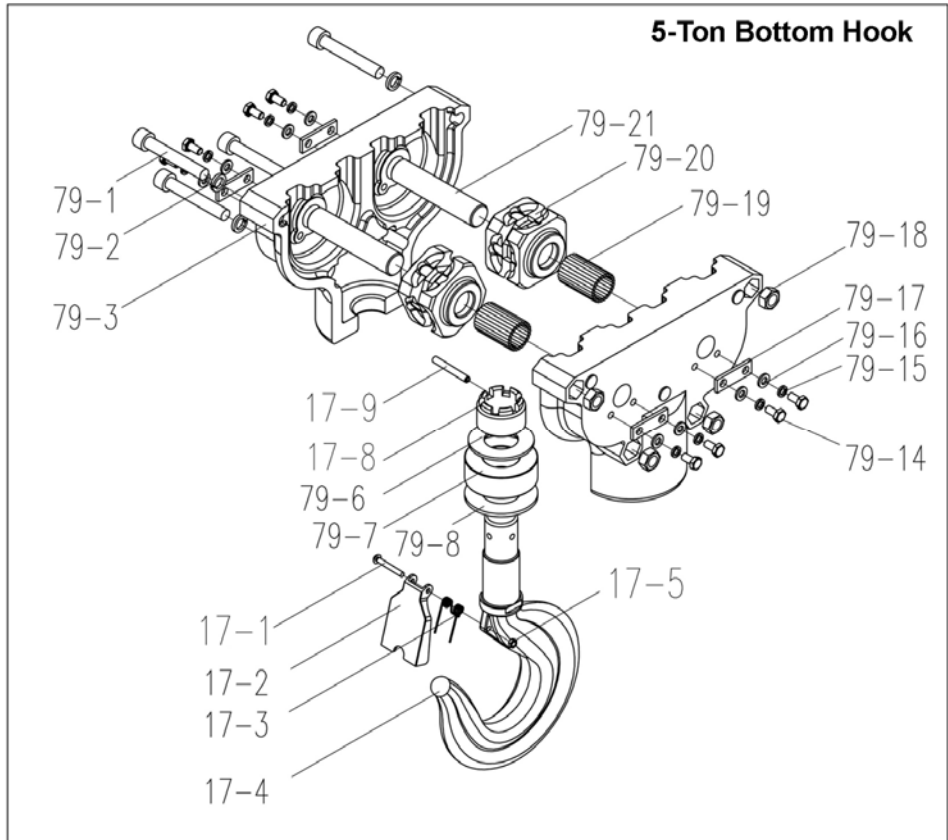
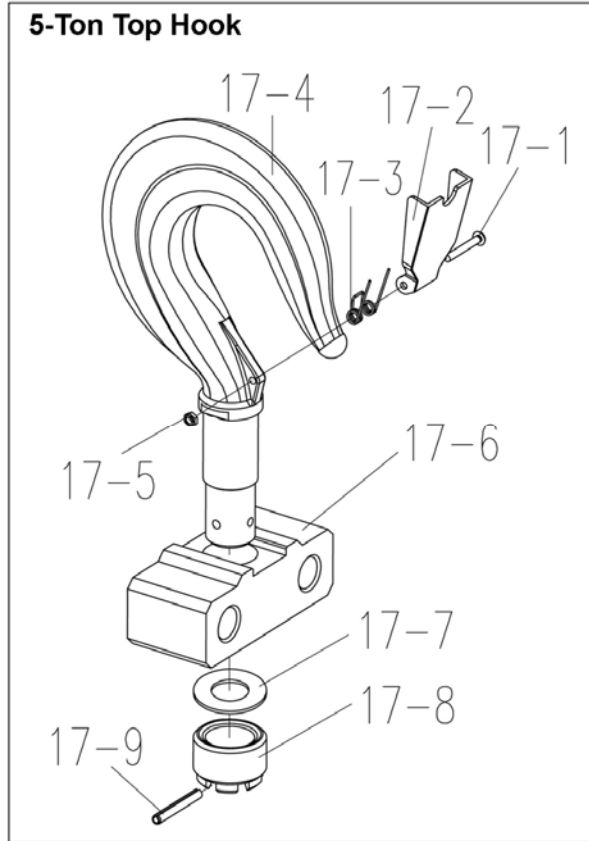
Index No.	Part No.	Description	Size	Qty
1	1SS-3C-001	Motor Stay Bolt		3
2	1SS-1C-002	Motor Bracket for 1 Phase		1
	1SS-3C-002	Motor Bracket for 3 Phase		1
3	1SS-3C-003	Ball Bearing	180203kz1	1
4	1SS-1C-004	Rotor Assembly for 1 Phase		1
	1SS-3C-004	Rotor Assembly for 3 Phase, Single Speed		1
	1DS-3C-004	Rotor Assembly for 3 Phase, Dual Speed		1
5	1SS-3C-005	Ball Bearing	180206kz1	1
6	1SS-1C-006	Motor Case Assembly for 1 Phase		1
	1SS-3C-006	Motor Case Assembly for 3 Phase, Single Speed		1
	1DS-3C-006	Motor Case Assembly for 3 Phase, Dual Speed		1
7	1SS-1C-007	Motor Right-End Cover for 1 Phase		1
	1SS-3C-007	Motor Right-End Cover for 3 Phase		1
8	1/2SS-3C-008	Hex Nut	M10	8
9	1/2SS-3C-009	Lock Washer	10mm	8
10	1/2SS-3C-010	Plain Washer	10mm	8
11	1/2SS-3C-011	Plain Washer	6mm	30
12	1/2SS-3C-012	Lock Washer	6mm	30
13	1/2SS-3C-013	Phillips Pan Head Machine Screw	M6x12	2
14	1SS-3C-014	Stay Bolt Block for Top Hook Assembly		2
15	3SS-3C-015	Stay Bolt for Top Hook Assembly		2
16	5SS-3C-016	Motor Side Plate		1
17	5SS-3C-017	Top Hook Assembly for 5T		1
18	1SS-3C-018	Stay Bolt for Motor Side Plate		4
19	1SS-3C-019	Ball Bearing with Retainer	150207	2
20	1SS-3C-020	Stop Ring	72/78.8	2
21	3SS-3C-021	Sheave Cover		1
22	1SS-3C-022	Lock Nut	M8	1
23	1SS-3C-023	Rubber Plug		2
24	1SS-3C-024	Socket Head Cap Screw	M6x25	2
25	1SS-3C-025	Lock Washer	6mm	2
26	1SS-3C-026	Lift Wheel		1
27	5SS-3C-027	Gear Side Plate		1
28	1SS-3C-028	Gear Side Plate Gasket		2
29	1SS-3C-029	Ball Bearing with Retainer	50403	1
30	1SS-3C-030	Stop Ring	62/67.6	1
31	1SS-3C-031	Second Gear Shaft		1
32	1SS-3C-032	Snap Ring	20mm	1
33	1SS-3C-033	Lift Gear		1
34	1SS-3C-034	First Gear Shaft for 3 Phase		1
35	1SS-3C-035	Overload Limit Clutch		1
35-1	1SS-3C-03501	Spline Sleeve		1
35-2	1SS-3C-03502	Wing Spring		1
35-3	1SS-1C-03503	Middle Gear for 1 Phase		1
	1SS-3C-03503	Middle Gear for 3 Phase		1
35-4	1SS-3C-03504	Adjust Round Nut		1
35-5	1SS-3C-03505	Clutch Support		1
35-6	1SS-3C-03506	Friction Disc		1
35-7	1SS-3C-03507	Adjust Washer		1
36	1SS-3C-036	Gear Case Seal		1
37	1SS-3C-037	Gear Case		1
38	1/2SS-3C-038	Socket Head Cap Screw	M6x20	5
39	1SS-3C-039	Ball Bearing	180205kz1	1
40	1SS-3C-040	Snap Ring (for 3 Phase only)	25mm	1
41	1SS-1C-041	DC Brake for 1 Phase		1
	1SS-3C-041	DC Brake for 3 Phase		1
41-1	1SS-3C-04101	Brake Bracket		1

41-2	1SS-3C-04102	Brake Stay Bolt	4
41-3	1SS-1C-04103	Friction Pad for 1 Phase	1
	1SS-3C-04103	Friction Pad for 3 Phase	1
41-4	1SS-1C-04104	Brake Spring for 1 Phase	4
	1SS-3C-04104	Brake Spring for 3 Phase	4
41-5	1SS-3C-04105	Locking Plate	2
41-6	1SS-3C-022	Lock Nut M8	4
41-7	1/2SS-3C-04107	Phillips Pan Head Machine Screw M5x6	4
41-8	1/2SS-3C-04108	Lock Washer 5mm	4
41-9	1SS-3C-04109	Brake Housing	1
41-10	1SS-1C-04110	Brake Coil for 1 Phase	1
	1SS-3C-04110	Brake Coil for 3 Phase	1
41-11	1SS-3C-04111	Brake Spring	4
41-12	1SS-3C-04112	Brake Armature	1
42	1/2SS-3C-042	Phillips Pan Head Machine Screw M6x10	20
43	1SS-3C-043	Gear Side Cover	1
44	5SS-3C-044	Capacity Label for 5T	1
45	1/2SS-3C-045	Socket Head Cap Screw M3x6	4
46	1/2SS-1C-046UG	Transformer for 1 Phase	1
	1/2SS-3C-046UG	Transformer for 3 Phase	1
47	1/2SS-3C-047	Phillips Pan Head Machine Screw M4x6	4
48	TS-2361041	Lock Washer 4mm	4
49	TS-1550021	Plain Washer 4mm	4
50	1/2SS-3C-050	Transformer Bracket	1
51	1SS-3C-051	Ball Bearing 180203kz1	1
52	1SS-3C-052	Steel Collar	1
53	TS-1550061	Plain Washer 8mm	1
54	1/2SS-3C-054	Socket Head Cap Screw M8x20	1
55	1SS-3C-055	Lock Plate for Clutch	1
56	1/2SS-3C-056	Round Pin A5x16	1
57	1/2SS-3C-057	Adjust Round Nut	1
58	1SS-3C-058	Adjust Shaft	1
59	1/2SS-3C-059	Round Pin A6x12	2
60	1/2SS-3C-060	Phillips Pan Head Machine Screw M4x16	1
61	TS-1550021	Plain Washer 4mm	1
62	1/2SS-3C-062	Hex Nut M4	1
63	1/2SS-3C-063	Phillips Pan Head Machine Screw M5x10	8
64	TS-2361051	Lock Washer 5mm	8
65	TS-1550031	Plain Washer 5mm	8
66	1SS-3C-066	Socket Head Cap Screw M8x25	1
67	1/2SS-3C-067	Chain Container Bracket	1
68	1SS-3C-068	Chain Container (for 10' Lift)	1
	3SS-3C-068	Chain Container (for 15' and 20' Lift)	1
69	1/2SS-3C-069UG	Limit Switch Set	1
70	1SS-3C-070	Snap Ring 34mm	1
71	3SS-3C-061	Hinge Plate	1
72	3SS-3C-064	Sheave Shaft	1
73	3SS-3C-083	Needle 3x39.8b	24
74	1SS-3C-071	Block	1
75	3SS-3C-088	Sheave	1
76	3SS-3C-089	Sheave Guide	1
77	1/2SS-3C-072	Cable Input Seal	2
78	1SS-3C-073	Limit Paddle Assembly	1
78-1	1SS-3C-07301	Side Plate	2
78-2	1SS-3C-07302	Chain Guide Block	1
78-3	1SS-3C-07303	Chain Guide Shaft	1
79	1SS-3C-074	Limit Spring	2
80	1SS-3C-075	Load Chain for 1T, 2T, 3T, and 5T * Ø 8x24mm	1
81	1SS-3C-076	Retainer Ring	1

* Specify length of Load Chain when ordering.

82	1SS-3C-077	Chain Stop	1
83	1SS-3C-078	Pin	1
84	5SS-3C-079	Bottom Hook Assembly for 5T	1
85	2SS-3C-08007	Pin	1
86	1/2SS-3C-010	Plain Washer 10mm	1
87	1SS-3C-08009	Slotted Hex Nut M10	1
88	5SS-3C-088	Cotton Pin 2.5x20	1
89	5SS-3C-08006	Chain Holder	1
90	1SS-3C-081	Phillips Pan Head Machine Screw M8x16	1
91	1/2SS-3C-082	Lock Washer 8mm	1
92	1/2SS-3C-053	Plain Washer 8mm	1
93	1/2SS-1C-085	Electric Component Board for 1 Phase	1
	1/2SS-3C-085	Electric Component Board for 3 Phase	1
94	1/2SS-3C-086	Volts Conversion (for 3 Phase Single Speed)	1
	1/2DS-3C-086A	Volts Conversion (for 3 Phase Dual Speed)	1
95	1/2SS-3C-047	Phillips Pan Head Machine Screw (for 1 Phase only) M4x6	1
96	TS-2361041	Lock Washer (for 1 Phase only) 4mm	1
97	TS-1550021	Plain Washer (for 1 Phase only) 4mm	1
98	1/2SS-3C-090UG	Female Connector for Push Button Cord 7P	1
99	1/2SS-3C-091UG	Quick Connector Board	1
100	1/2SS-3C-092UG	Female Connector for Power Cord 4P	1
101	1SS-1C-093	Contactor Holder for 1 Phase	1
	1/2SS-3C-093	Contactor Holder for 3 Phase	1
102	TS-2284082	Phillips Pan Head Machine Screw M4x8	2
103	TS-2361041	Lock Washer 4mm	2
104	TS-1550021	Plain Washer 4mm	2
105	1/2SS-1C-097UG	Magnetic Contactor for 1 Phase	2
	1/2SS-3C-097UG	Magnetic Contactor for 3 Phase (Single Speed 2pcs, Dual Speed 4Pcs)	
106	1/2SS-3C-098	Reverse Phase Inspector (3 Phase only) 230V/460V/3Ph/60Hz	1
107	1SS-3C-102UG	Motor Side Cover	1
108	1/2SS-3C-103UG	Phillips Pan Head Machine Screw M3x12	8
109	1/2SS-3C-104	Pushbutton Control for 1 Phase and 3 Phase, Single Speed	1
	1/2DS-3C-104	Pushbutton Control for 3 Phase, Dual Speed	1
110	1/2SS-3C-105UG	Male Plug 7P	1
111	1/2SS-3C-106	Cable Holder	1
112	1/2SS-3C-022	Lock Nut M6	1
113	5SS-3C-108	ID Label for 5T	1
114	1/2SS-3C-109	Phillips Pan Head Machine Screw M3x6	4
115	1/2SS-3C-110	Lock Washer 3mm	12
116	1/2SS-3C-111	Plain Washer 3mm	12
117	1/2SS-1C-099-A	Solid State Switch (1 Phase only)	1
118	TS-2284352	Phillips Pan Head Machine Screw M4x35	2
119	1/2SS-1C-101	Capacitor (for 1 Phase only) Ø65, 600uF	1
120	1/2SS-1C-113	Capacitor Holder (for 1 Phase only) Ø 65	1
121	1/2SS-1C-114	Rectifier (for 1 Phase only) 50A	1
122	1SS-1C-112	First Gear Shaft Assembly (for 1 Phase only)	1
123	1/2SS-3C-123UG	Male Plug 4P	1
128	1/2SS-3C-128	Lock Nut M3	8
129	1SS-3C-129	Chain Guide	1
130	1/2SS-3C-130	Fuse 2A	1
131	1/2SS-3C-131	Fuse Cover	1

Parts List: Hook Assemblies (5-Ton only)

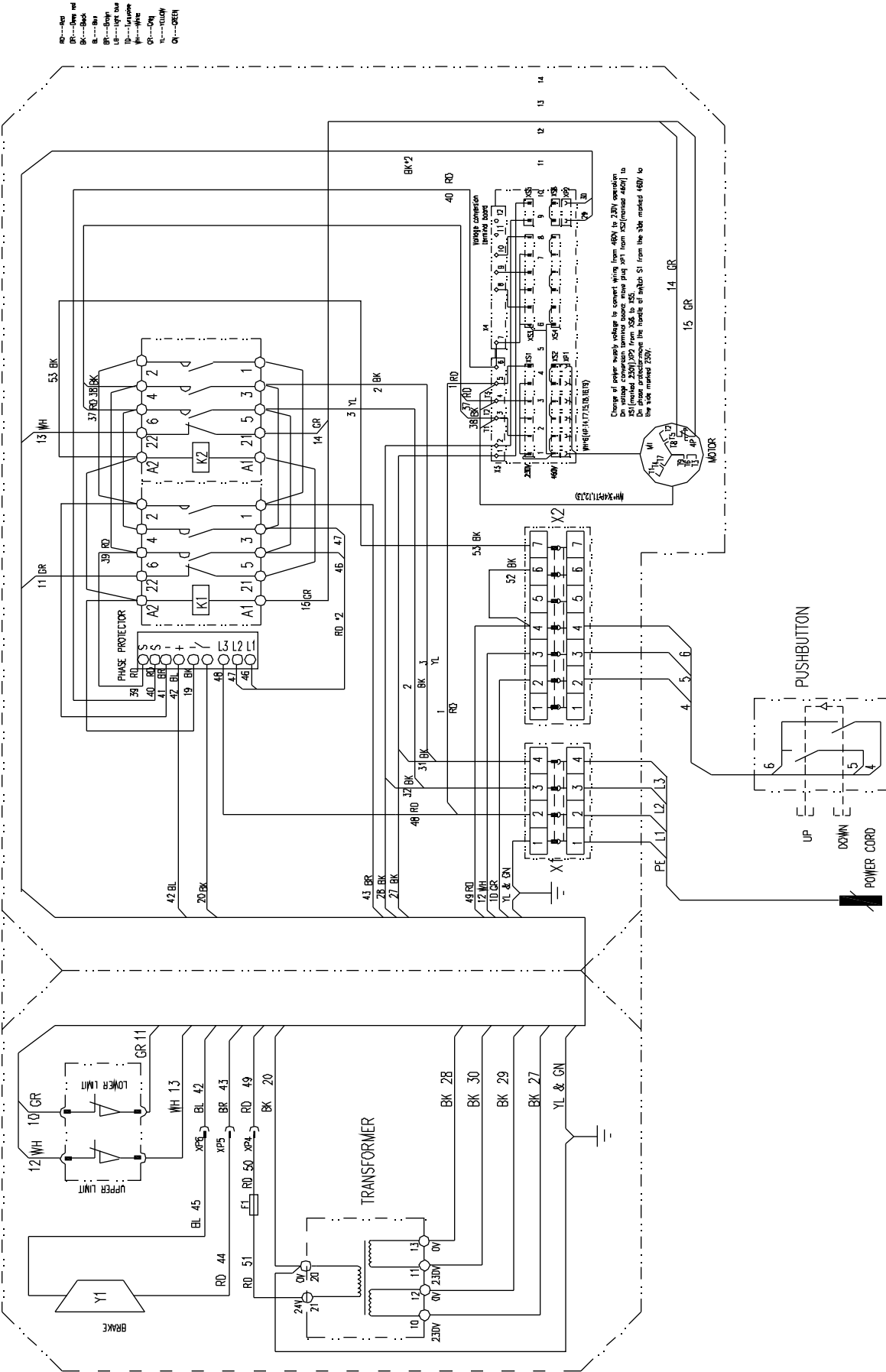


Parts List: Hook Assemblies (5-Ton only)

Exploded view on page 43.

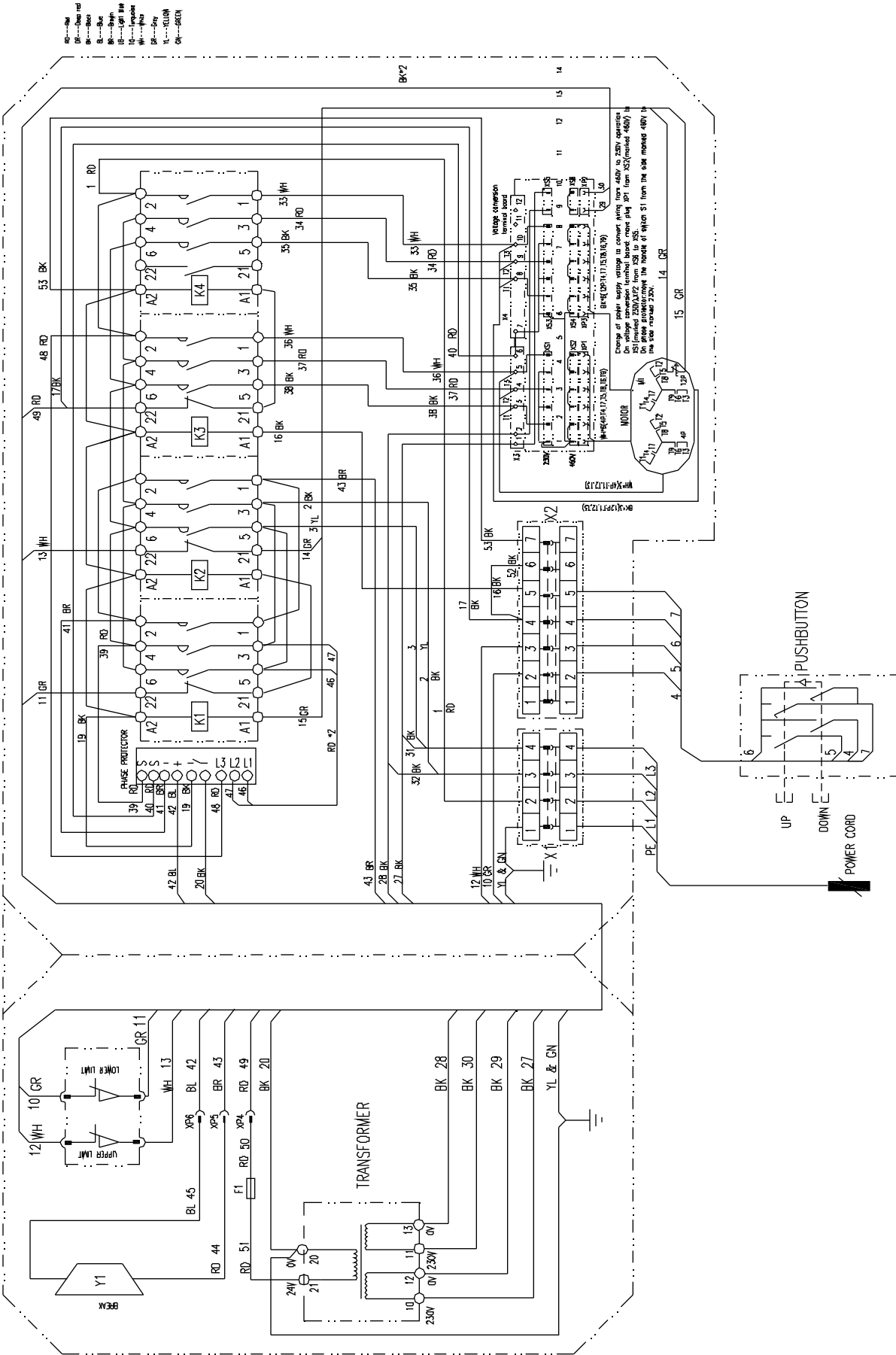
Index No.	Part No.	Description	Size	Qty
17	5SS-3C-017	Top Hook Assembly for 5 Ton		1
17-1	TS-2284302	Phillips Pan Head Machine Screw	M4x30	1
17-2	5SS-3C-01702	Hook Latch		1
17-3	5SS-3C-01703	Latch Spring		1
17-4	5SS-3C-01704	Top Hook		1
17-5	5SS-3C-01705	Lock Nut	M4	1
17-6	5SS-3C-01706	Connecting Bar		1
17-7	5SS-3C-01707	Plain Washer		1
17-8	5SS-3C-01708	Hook Nut		1
17-9	5SS-3C-01709	Roll Pin	5x40mm	1
79	5SS-3C-079	Bottom Hook Assembly for 5 Ton		1
79-1	5SS-3C-07901	Socket Head Cap Screw	M10x65	4
79-2	1/2SS-3C-009	Lock Washer	10mm	4
79-3	5SS-3C-07903	Bottom Hook Housing		2
79-6	5SS-3C-07906	Plain Washer		1
79-7	5SS-3C-07907	Thrust Ball Bearing	8306	1
79-8	5SS-3C-07908	Collar		1
17-0	5SS-3C-01700	Hook Latch Assembly (index #17-1,17-2,17-3,17-5)		1
17-1	TS-2284302	Phillips Pan Head Machine Screw	M4x30	1
17-2	5SS-3C-01702	Hook Latch		1
17-3	5SS-3C-01703	Latch Spring		1
17-4	5SS-3C-01704	Top Hook		1
17-5	1/2SS-3C-01705	Lock Nut	M4	1
17-8	5SS-3C-01708	Hook Nut		1
17-9	5SS-3C-01709	Roll Pin	5x40mm	1
79-14	3SS-3C-07922	Hex Bolt	M6x12	8
79-15	1/2SS-3C-012	Lock Washer	6mm	8
79-16	1/2SS-3C-011	Plain Washer	6mm	8
79-17	3SS-3C-061	Hinge Plate		4
79-18	3SS-3C-07901	Lock Nut	M10	4
79-19	3SS-3C-083	Needle	3x39.8b	48
79-20	3SS-3C-088	Sheave		2
79-21	5SS-3C-07921	Sheave Shaft		2

Electrical Connections: 3-Phase, Single Speed Only



WIRING DIAGRAM FOR ELECTRIC HOISTS IN 3 PHASE WITH SINGLE SPEED

Electrical Connections: 3-Phase, Dual Speed Only



WIRING DIAGRAM FOR ELECTRIC HOISTS IN 3 PHASE WITH DUAL SPEED