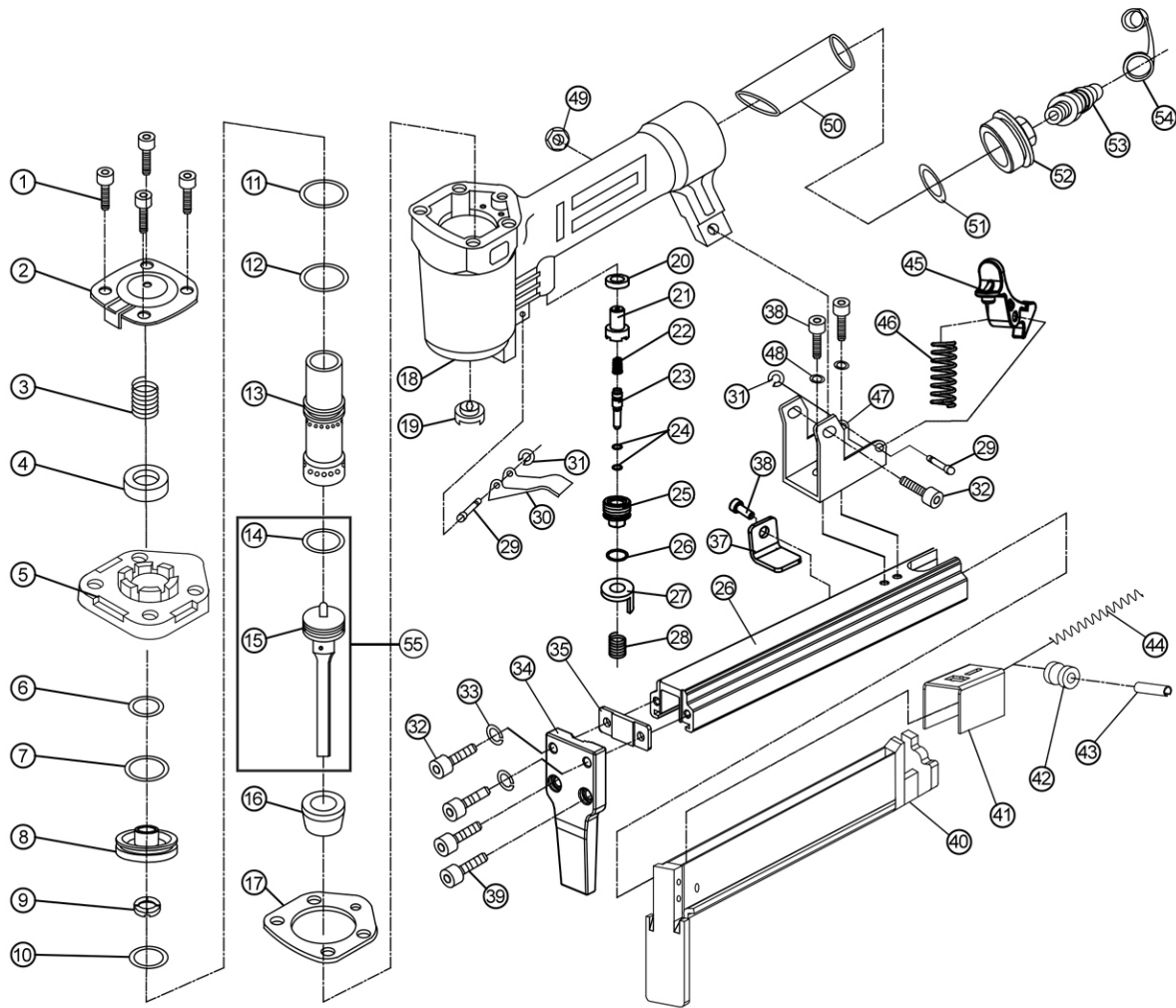


Air Locker

Model # U630L2



No.	Description	Qty.
1	Bolt M5×50	4
2	Exhaust Cap	1
3	Compressed Spring	1
4	Rectangle Washer 16*8*2.6	1
5	Cylinder Cover	1
6	O-Ring 11.7*2.4	1
7	O-Ring 26.2 *2.4	1
8	HeadValve Piston	1
9	Collar	1
10	O-Ring 21.3*3	1
11	O-Ring 29.2*3.55	1
12	O-Ring 20.3*2.3	1
13	Cylinder	1
55	Driver Assembly	1
14	O-Ring 18*2.65	1
15	Main Piston	1
16	Bumper	1
17	Sealing Washer	1
18	Gun Body	1
19	Washer	1
20	Rectangle Washer 12*7.2*3	1
21	Trigger Valve Guide	1
22	Trigger Stem Spring	1
23	Trigger Valve Stem	1
24	O-Ring 2.5*1.5	1
25	Trigger Valve Seat	1
26	O-Ring 11.2*2	1
27	Safety Latch	1
28	Compressed Spring	1

No.	Description	Qty.
29	Step Pin	1
30	Trigger Lever	1
31	E-Ring ø 2.5	1
32	Bolt M5×20	1
33	Spring Washer 5	1
34	Driver Guide	1
35	Sticker Plate	1
36	Mixed Magazine	1
37	Wire Stop Plunger	1
38	Bolt M4 *6	1
39	Bolt M4 *14	1
40	Guide Pin Cover Assembly	1
41	Pusher	1
42	Trolley	1
43	Pin 2.5*7.4	1
44	Spring	1
45	Fixed Seat	1
46	Fixed Seat Spring	1
47	Support Seat	1
48	Spring Washer 4	2
49	Nut M5	1
50	Rubber Handle Case	1
51	O-Ring 35.5×2.3	1
52	Rear Cap	1
53	Air Inlet Plug	1
54	Plug Sheath	1