

Portable Planer - 0 601 595 460 - 53514

www.powertools-aftersaleservice.com



BOSCH

Item	Part Number	Description	Illustration	Price	Quantity	Price Group
1	2 605 104 773	Housing DARK BLUE	1	-,-	1	32
2	2 607 022 083	DC motor 12V	1	-,-	1	42
9	2 601 117 987	Manufacturer's nameplate	1	-,-	1	15
19	2 603 490 022	Screw 4x16	1	-,-	20	10
20	2 601 117 986	Reference Plate	1	-,-	1	15
25	2 604 736 001	Toothed Belt	1	-,-	1	22
26	2 603 100 056	Damping rubber	1	-,-	5	11
28	2 602 051 002	Locking Lever	1	-,-	1	14
29	2 604 651 017	Compression Spring	1	-,-	1	12
30	2 605 500 174	Gear Cover	1	-,-	1	21
35	1 610 910 057	Needle bearing Ø8xØ12x10 MM	1	-,-	1	14
37	2 602 026 094	Handle BLACK	1	-,-	1	21
41	2 915 011 007	Hex Nut DIN 934-M6-8-A	1	-,-	2	10
47	2 600 590 006	Ratchet Cap	1	-,-	2	11
49	2 605 133 022	Handle Cover	1	-,-	1	25
50	2 608 584 003	Planer Head	1	-,-	1	37
60	2 600 409 026	Deflector Pipe	1	-,-	1	20
93	1 907 950 003	Offset Screwdriver DIN 911 SW2,5	1	-,-	1	13
651	2 607 335 669	Accumulator Battery 14,4V,2.0Ah,NiCd	1	-,-	1	51
652	2 605 702 023	Suction Connector	2	-,-	1	19
653	2 607 225 033	Fast Charger USA 120/7,2-24V, 30 MIN.	2	-,-	1	46
654	2 609 170 013	Dust Bag	2	-,-	1	32
656	2 610 906 264	Parallel-Guide	2	-,-	1	-
657	2 609 100 101	Protective Cap	1	-,-	1	16
801	2 605 105 921	Housing DARK BLUE	1	-,-	1	44
802	2 607 022 251	DC motor 14,4V	1	-,-	1	44
808	2 601 117 984	Marking Plate	1	-,-	1	15
822	2 606 625 909	Toothed Belt Wheel	1	-,-	1	32
844	2 604 448 255	Connecting Cable	1	-,-	1	14
845	2 604 448 256	Connecting Cable	1	-,-	1	16
846	2 607 200 451	On-Off Switch	1	-,-	1	33
851	2 608 635 341	Planing Knife	1	-,-	1	26
852	2 603 111 001	Gripping Wedge	1	-,-	1	25

Item	Part Number	Description	Illustration	Price	Quantity	Price Group
853	2 603 400 016	Set screw	1	-,-	1	11

Illustration - Type E

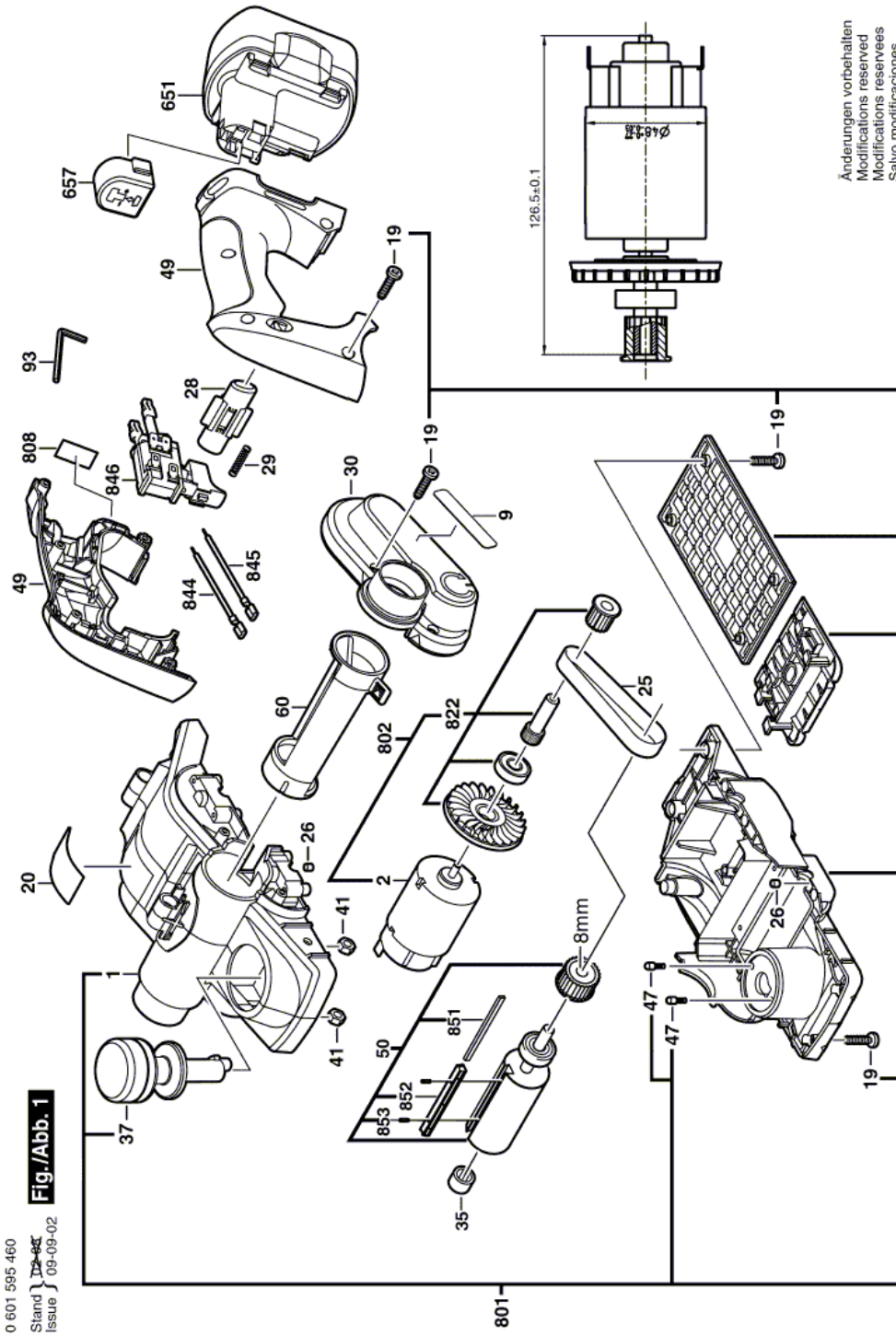
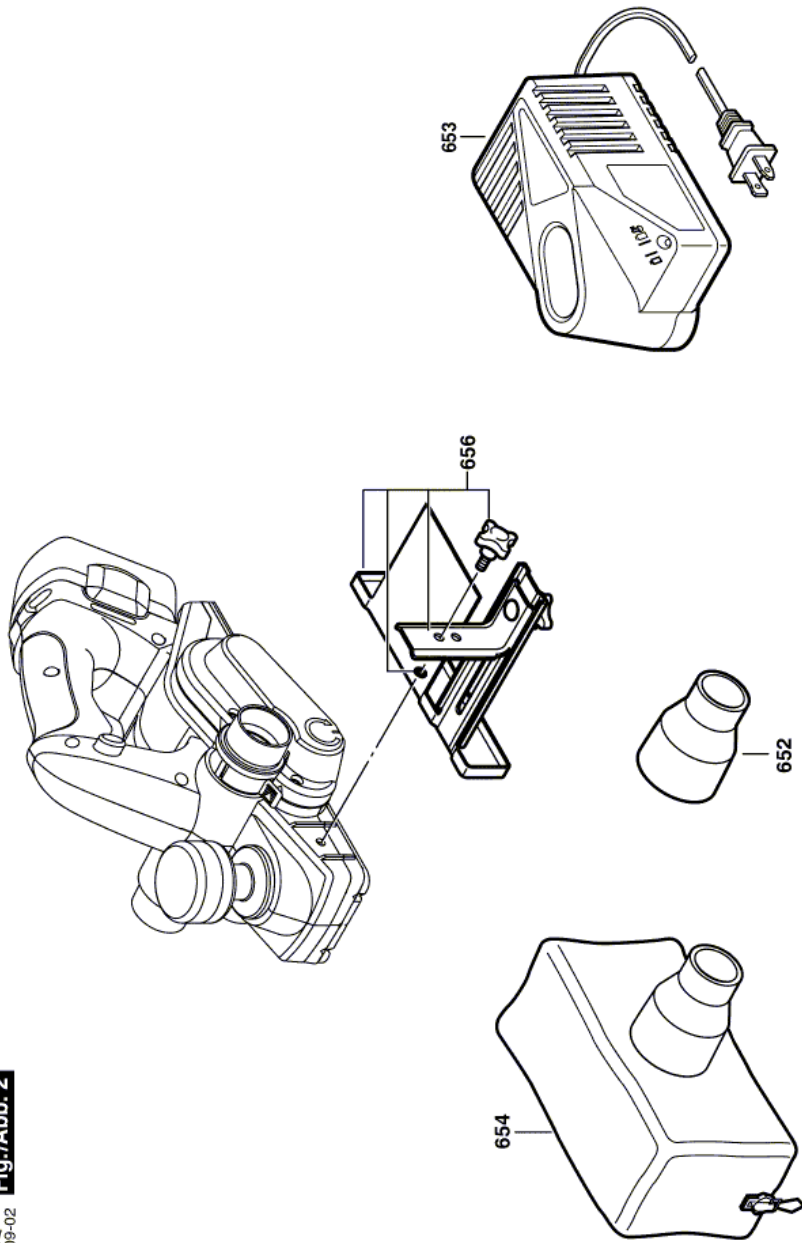


Illustration - Type E

0 601 595 460
Stand } ~~Druck~~
Issue } 09-09-02

Fig./Abb. 2



Anderungen vorbehalten
Modifications reserved
Modificacions reservadas
Salvo modificaciones