



SERVICE PARTS LIST

3/4" ELECTRIC HAMMER

Catalog No. 5361

Starting Serial No. **489-1001**

Specify Catalog and Serial No. when ordering parts

BUL. 54-24-3040

REVISED BUL. DATE
Feb. '73

WIRING INSTRUCTIONS
58-01-0175

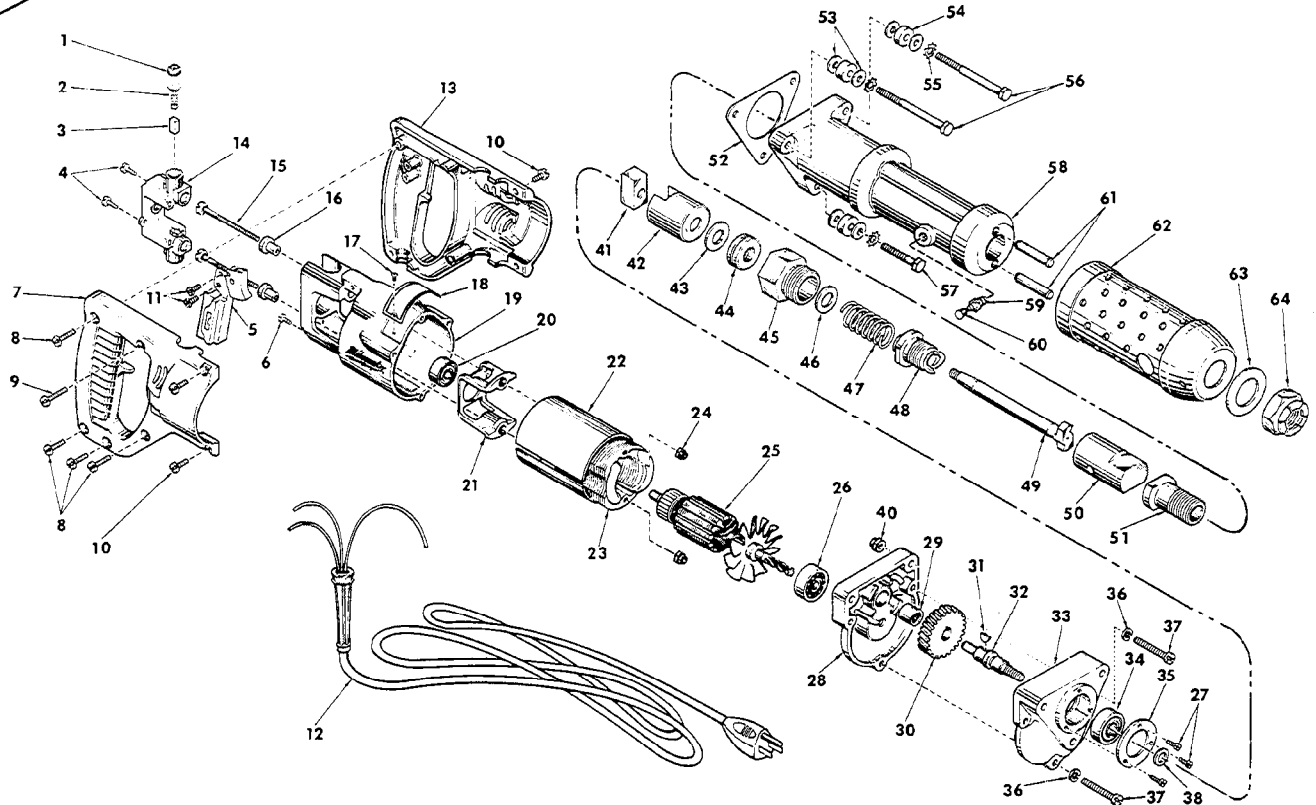


FIG.	PART NO.	DESCRIPTION OF PART	NO. REQ.	FIG.	PART NO.	DESCRIPTION OF PART	NO. REQ.
1	23-44-0150	Brush Retaining Screw	(2)	35	44-66-0060	Cover Plate	(1)
2	23-52-0160	Brush Spring	(2)	36	06-97-3600	Lock Washer	(3)
3	22-16-0250	Carbon Brush	(2)	37	06-81-1475	12-24x1-1/8 Fil. Hd. Screw	(3)
4	06-81-5475	6-32x3/8 Binding Hd. Sem	(2)	38	45-88-0080	Chuck Washer	(1)
5	23-66-0505	Switch	(1)	39	14-12-0110	Cylinder Assy. (Incl. Figs. 40 thru 64)	
6	06-81-8625	6-32x1/4 Ground Screw	(1)	40	06-57-5000	1/4-20 Lock Nut	(2)
7	31-44-0370	R.H. Half D Handle	(1)	41	43-12-0050	Male Driver	(1)
8	06-81-0400	8-32x3/4 Pan Hd. Screw	(4)	42	43-12-0070	Female Driver	(1)
9	06-81-0470	8-32x1 Pan Hd. Screw	(1)	43	45-88-0310	Thrust Washer 1/32	} As Required
10	06-81-0045	8-32x1/2 Pan Hd. Screw	(4)		45-88-5340	Thrust Washer 1/16	
11	06-81-5500	8-32x 3/8 Binding Hd. Sem	(2)		45-88-5360	Thrust Washer 3/32	
12	22-64-0385	Cord Set	(1)	44	02-80-1000	Thrust Bearing	(1)
13	31-44-0380	L.H. Half D Handle	(1)	45	44-40-0080	Mechanism Nut	(1)
14	22-22-0300	Brush Holder Assembly	(1)	46	45-88-0100	Steel Washer	(1)
15	06-81-1050	8-32x2-7/16 Field Bolt	(2)	47	40-50-1100	Compression Spring	(1)
16	31-86-0120	Insulating Spacer	(2)	48	42-50-0060	Female Cam	(1)
17	06-85-0200	6x1/4 Rd. Hd. Type Z Screw	(2)	49	36-10-0501	Cam Shaft	(1)
18	12-99-0032	Nameplate	(1)	50	44-62-0060	Piston	(1)
19	28-50-6143	Motor Housing	(1)	51	42-40-0080	Nose Bushing	(1)
20	02-04-0940	Ball Bearing	(1)	52	43-44-0050	Shock Absorber Gasket	(1)
21	31-55-0080	Coil Shield	(1)	53	45-88-5220	Fiat Washer	(6)
22	23-16-0435	Field Insulator	(1)	54	45-88-0090	Shock Absorber Washer	(3)
23	18-42-1040	115 V. Field	(1)	55	06-97-1000	Lock Washer	(3)
24	06-57-2975	8-32 Flexlock Hex Nut	(2)	56	06-75-0250	1/4-20x2-1/2 Hex. Hd. Cap Screw	(2)
25	16-42-1420	115 Volt Armature	(1)	57	06-75-0200	1/4-20x1-1/4 Hex. Hd. Cap Screw	(1)
26	02-04-0970	Ball Bearing	(1)	58	28-25-0141	Hammer Cylinder (Incl. Figs. 59 thru 61)	
27	06-81-5800	6-32x5/16 Fil. Hd. Sem	(3)	59	43-33-0050	Grease Fitting	(1)
28	28-28-0161	Diaphragm	(1)	60	42-52-0100	Lube Cap	(1)
29	02-50-2110	Needle Bearing	(1)	61	44-60-0140	Piston Pin	(2)
30	32-75-1241	Spindle Gear	(1)	62	45-12-0070	Perforated Shield Assy.	(1)
31	06-42-1200	Woodruff Key	(1)	63	45-88-5420	Flat Washer	(1)
32	38-50-1351	Spindle	(1)	64	44-40-0090	Elastic Stop Nut	(1)
33	28-14-0321	Gear Case	(1)				
34	02-04-1250	Ball Bearing	(1)				