



SERVICE PARTS LIST

BULLETIN NO.
54-24-0500

SPECIFY CATALOG NO. AND SERIAL NO. WHEN ORDERING PARTS		REVISED BULLETIN	DATE
OEM FALCON			Nov. '95
CATALOG NO.	5361	SERIAL NUMBER	883A
		WIRING INSTRUCTION 58-01-1316	

EXAMPLE:

00	0
----	---

 Component Parts (Small #) Are Included
 When Ordering The Assembly (Large #).

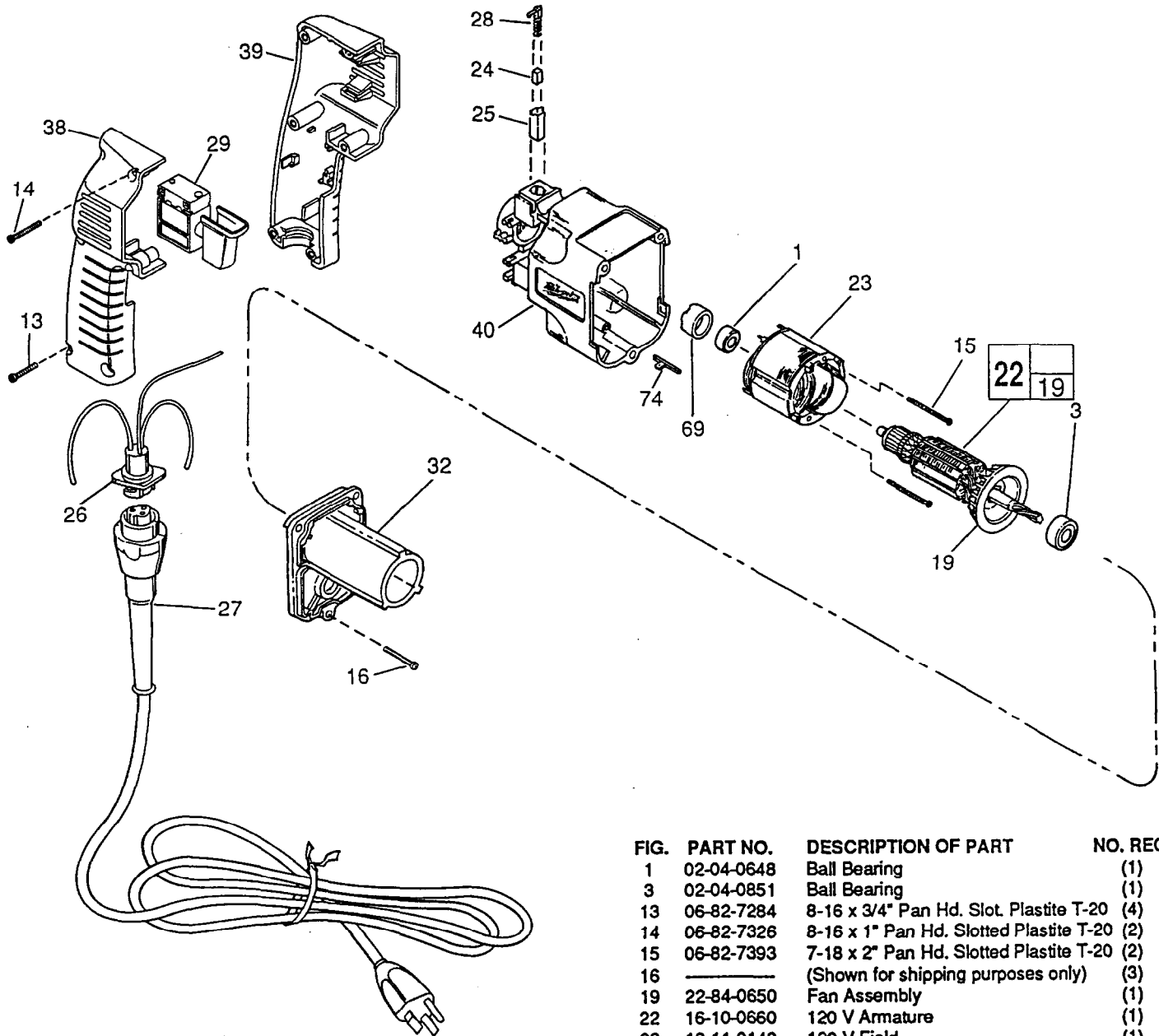


FIG.	PART NO.	DESCRIPTION OF PART	NO. REQ.
1	02-04-0648	Ball Bearing	(1)
3	02-04-0851	Ball Bearing	(1)
13	06-82-7284	8-16 x 3/4" Pan Hd. Slot. Plastite T-20	(4)
14	06-82-7326	8-16 x 1" Pan Hd. Slotted Plastite T-20	(2)
15	06-82-7393	7-18 x 2" Pan Hd. Slotted Plastite T-20	(2)
16		(Shown for shipping purposes only)	(3)
19	22-84-0650	Fan Assembly	(1)
22	16-10-0660	120 V Armature	(1)
23	18-11-0140	120 V Field	(1)
24	22-18-0800	Brush Service Kit	(1)
25	22-20-0810	Brush Tube	(2)
26	22-56-0640	Pin Housing Assembly	(1)
27	48-76-4008	8' Quick-Lok Cord	(1)
28	23-52-1570	Brush Spring Assembly	(2)
29	23-66-2122	Switch	(1)
32		(Shown for shipping purposes only)	(1)
38	31-44-1780	Right Handle Half	(1)
39	31-44-1785	Left Handle Half	(1)
40	31-50-0990	Motor Housing	(1)
69	42-96-0140	Bearing Cup	(1)
74	44-60-0530	Ground Pin	(1)

MILWAUKEE ELECTRIC TOOL CORPORATION
 13135 W. LISBON RD., BROOKFIELD, WI 53005