

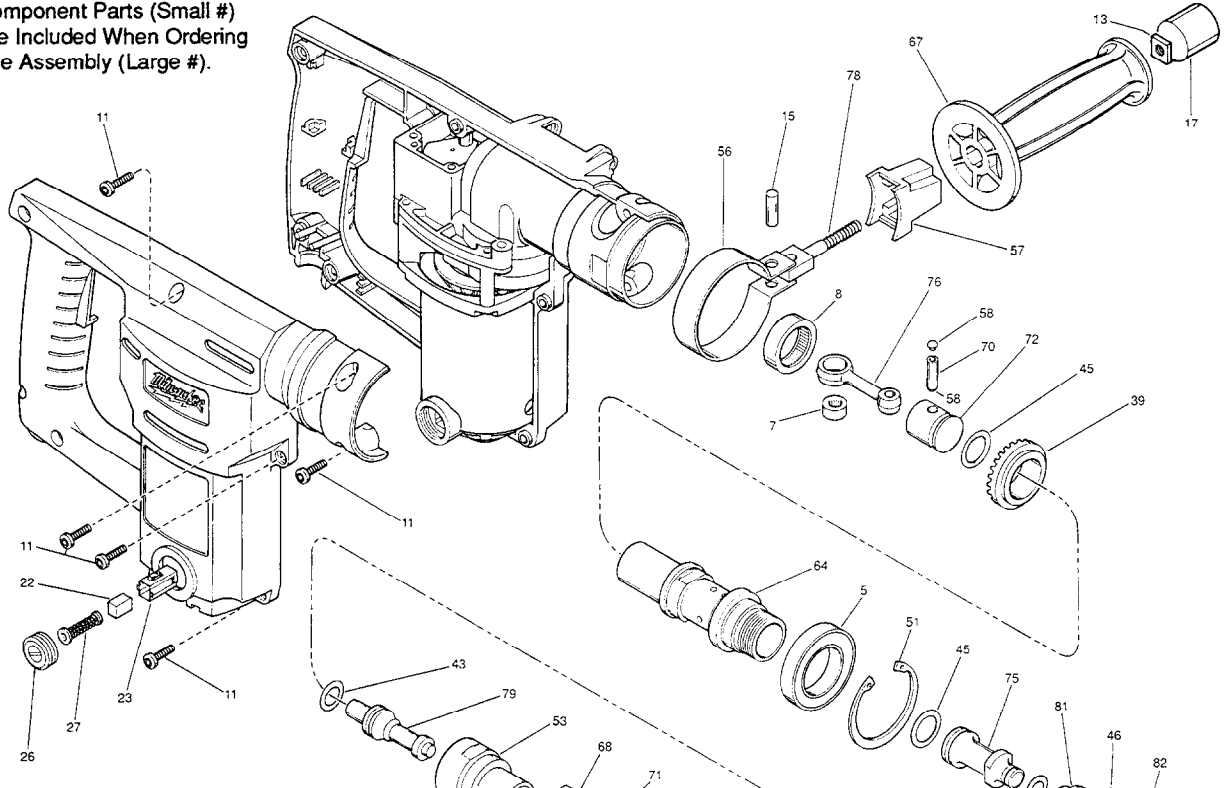


# SERVICE PARTS LIST

**BULLETIN NO.**  
**55-24-0131**

SPECIFY CATALOG NO. AND SERIAL NO. WHEN ORDERING PARTS		REVISED BULLETIN	DATE
<b>1" ROTARY HAMMER</b>			Feb. '97
CATALOG NO.	<b>5363-51</b>	STARTING SERIAL NO.	<b>707B</b>
		WIRING INSTRUCTION	<b>58-03-1331</b>

**EXAMPLE:**  
Component Parts (Small #)  
Are Included When Ordering  
The Assembly (Large #).



**SEE REVERSE SIDE**

FIG.	PART NO.	DESCRIPTION OF PART	NO. REQ.
1	02-02-0275	7mm Ball	(2)
5	02-04-2525	Ball Bearing	(1)
7	02-50-2000	Needle Bearing	(1)
8	02-50-6445	Needle Bearing	(1)
11	05-88-8288	M4 x .7 x 13 mm Sems Slit. T-20	(7)
13	06-54-0300	5/16"-18 Square Nut	(1)
15	06-65-3515	1/4" x 3/4" Long Dowel Pin	(1)
17	44-68-0560	Plug	(1)
22	-----	● Carbon Brush(Refer to Brush Service Kit)	(2)
23	22-20-0780	Brush Holder	(2)
25	22-90-0210	● Grommet	(1)
26	23-44-0220	Brush Cap Screw	(2)
27	23-52-0255	● Brush Spring(Refer to Brush Serv. Kit)	(2)
39	32-05-2220	Bevel Gear	(1)
43	45-06-0510	● Quad Ring Seal	(1)
44	34-40-1210	● O-Ring	(1)
45	34-40-1215	● O-Ring	(2)
46	34-40-1220	● O-Ring	(1)
50	34-60-2520	● External Retaining Ring	(1)
51	34-80-2980	● Internal Retaining Ring	(1)
53	38-50-5790	Spindle	(1)
54	40-50-1275	Spring	(1)
56	42-16-0120	Side Handle Band	(1)
★ 57	25-10-1501	Side Handle Bracket	(1)
58	42-42-0240	Button	(2)
59	42-50-0235	Chuck Cam	(1)
60	42-76-0485	Chuck Collar	(1)
61	42-76-0495	Lockout Collar	(1)
64	42-98-0190	Barrel	(1)
67	43-62-0840	Side Handle	(1)
68	43-96-0135	Key	(1)
70	44-60-0700	Wrist Pin	(1)
71	44-60-1150	● Roller Pin	(2)
72	44-62-0161	Piston	(1)
75	44-82-0135	Ram	(1)

FIG.	PART NO.	DESCRIPTION OF PART	NO. REQ.
76	44-94-0270	Connecting Rod	(1)
78	45-04-0650	Side Handle Screw	(1)
79	45-56-2580	Striker	(1)
81	45-88-1130	Ram Catcher Washer	(1)
82	45-88-1135	Cushion Washer	(1)
83	45-88-5610	Spring Support Washer	(2)
85	45-88-8160	Chuck Collar Washer	(1)

**FIG. LUBRICATION**  
64 3/4 Oz. Type "K" Grease, No. 49-08-4161, on barrel chamber (64) between bearing (5) and gear(39).

**FIG. NOTES**  
46,53, Apply two (2) drops of Type AV 271 Red Loctite or equivalent to male threads of barrel (64), 180 degrees apart. Position ram catcher washer (81) into end of barrel (64). Place cushion washer (82) and o-ring (46) into spindle (53). Thread spindle onto barrel. Place spindle nose down and clamp with vice on spindle flats while turning barrel clockwise using flats of barrel. Tighten to 85 ft./lbs.

**MILWAUKEE ELECTRIC TOOL CORPORATION**  
13135 W. LISBON RD., BROOKFIELD, WI 53005

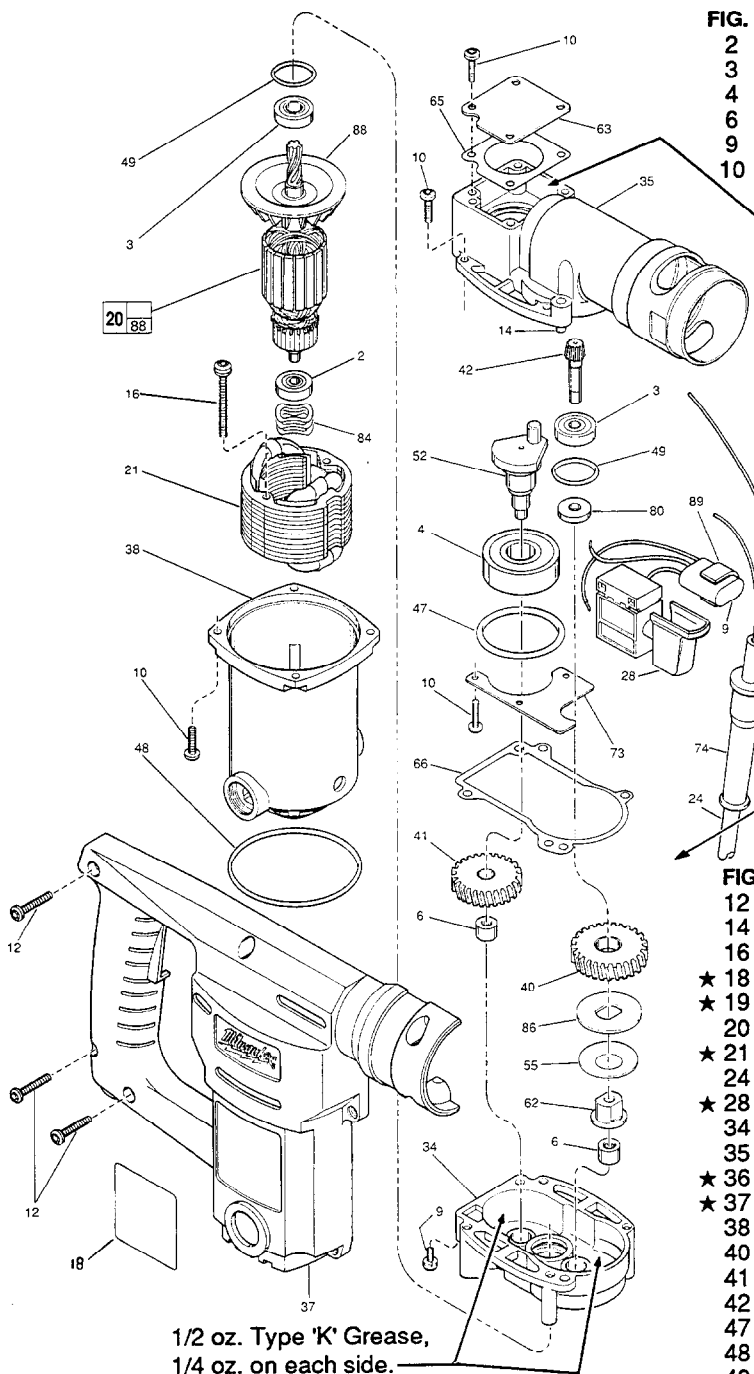


FIG.	PART NO.	DESCRIPTION OF PART	NO. REQ.
2	02-04-0648	Ball Bearing	(1)
3	02-04-0851	Ball Bearing	(2)
4	02-04-1710	Ball Bearing	(1)
6	02-50-1620	Needle Bearing	(2)
9	22-33-0285	Capacitor	(1)
10	05-88-3641	M4 x .7 x 16mm Taprite T-20	(15)
	10-98-6333	Product Label - Hawk	(1)

1/2 Oz. Type 'K' Grease

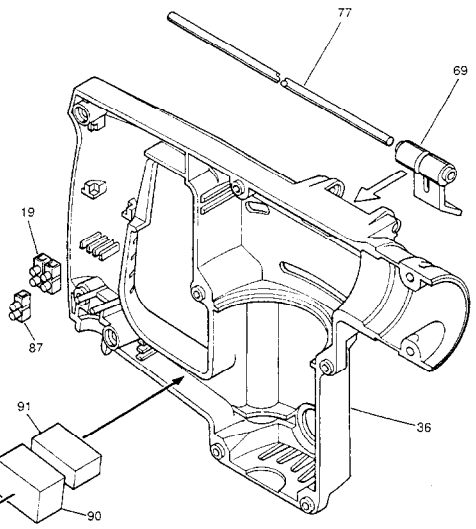


FIG.	PART NO.	DESCRIPTION OF PART	NO. REQ.
12	05-88-8296	M4 x .7 x 21mm Sems Slit. T-20	(3)
14	06-65-1310	1/4" x 5/8" Long Dowel Pin	(2)
16	06-82-8989	8-32 x 1-11/16" Pan Hd. T-20	(2)
★ 18	12-20-0395	Service Nameplate Kit	(1)
★ 19	22-56-0451	Terminal Block	(1)
20	16-14-0090	230 Volt Armature	(1)
★ 21	18-14-0091	230 Volt Field	(1)
24	22-64-4525	Cord Set	(1)
★ 28	23-66-2126	TSC Switch	(1)
34	28-14-2140	Gear Case	(1)
35	28-14-2160	Crank Case	(1)
★ 36	31-44-1326	Left Handle Half	(1)
★ 37	31-44-1331	Right Handle Half	(1)
38	31-50-0860	Motor Housing	(1)
40	32-40-2015	Intermediate Clutch Gear	(1)
41	32-40-2020	Intermediate Crank Shaft Gear	(1)
42	32-60-2400	Bevel Pinion	(1)
47	34-40-1550	● O-Ring	(1)
48	34-40-2400	● O-Ring	(1)
49	34-40-2450	● O-Ring	(2)
★ 52	36-17-0100	Crank Shaft	(1)
55	40-50-5155	Belleville Washer	(1)
62	42-76-0660	Clutch Collar	(1)
63	42-92-0335	Crank Case Cover	(1)
65	43-44-0680	● Crank Case Cover Gasket	(1)
66	43-44-0905	● Gear Case Gasket	(1)
69	44-10-0300	Depth Rod Lever	(1)
73	44-66-5760	Bearing Retaining Plate	(1)
74	44-76-0210	Cord Protector	(1)
77	44-94-0280	Depth Rod	(1)
80	45-88-0275	Washer	(1)
84	45-88-5615	Wave Spring Washer	(3)
86	45-88-8190	Bronze Thrust Washer	(1)
★ 87	22-56-0456	Terminal Block	(1)
88	22-84-0650	Fan	(1)
★ 89	45-12-0500	Dust Shield	(2)
90	45-06-0530	1" Handle Seal	(1)
91	45-06-0525	1/4" Handle Seal	(1)

1/2 oz. Type 'K' Grease,  
1/4 oz. on each side.

**22-18-0885 BRUSH SERVICE KIT**

THIS KIT INCLUDES:

2	-----	Carbon Brush
2	23-52-0255	Brush Spring

**●14-46-5363 HAMMER SERVICE KIT**

THIS KIT INCLUDES:

1	22-90-0210	Grommet
2	23-52-0255	Brush Spring
1	34-40-1210	O-Ring
2	34-40-1215	O-Ring
1	34-40-1220	O-Ring
1	34-40-1550	O-Ring
1	34-40-2400	O-Ring
2	34-40-2450	O-Ring
1	34-60-2520	Retaining Ring
1	43-44-0680	Gasket
1	43-44-0905	Gasket
2	44-60-1150	Roller Pin
1	45-06-0510	Quad Ring Seal
1	34-80-2980	Internal Retaining Ring
1	49-08-4161	5 Oz. Type "K" Grease

**FIG. LUBRICATION**

34 1/2 Oz. Type "K" Grease, No. 49-08-4161, in gear case, 34.  
35 1/2 Oz. Type "K" Grease, No. 49-08-4161, in crank case cavity, 35.