



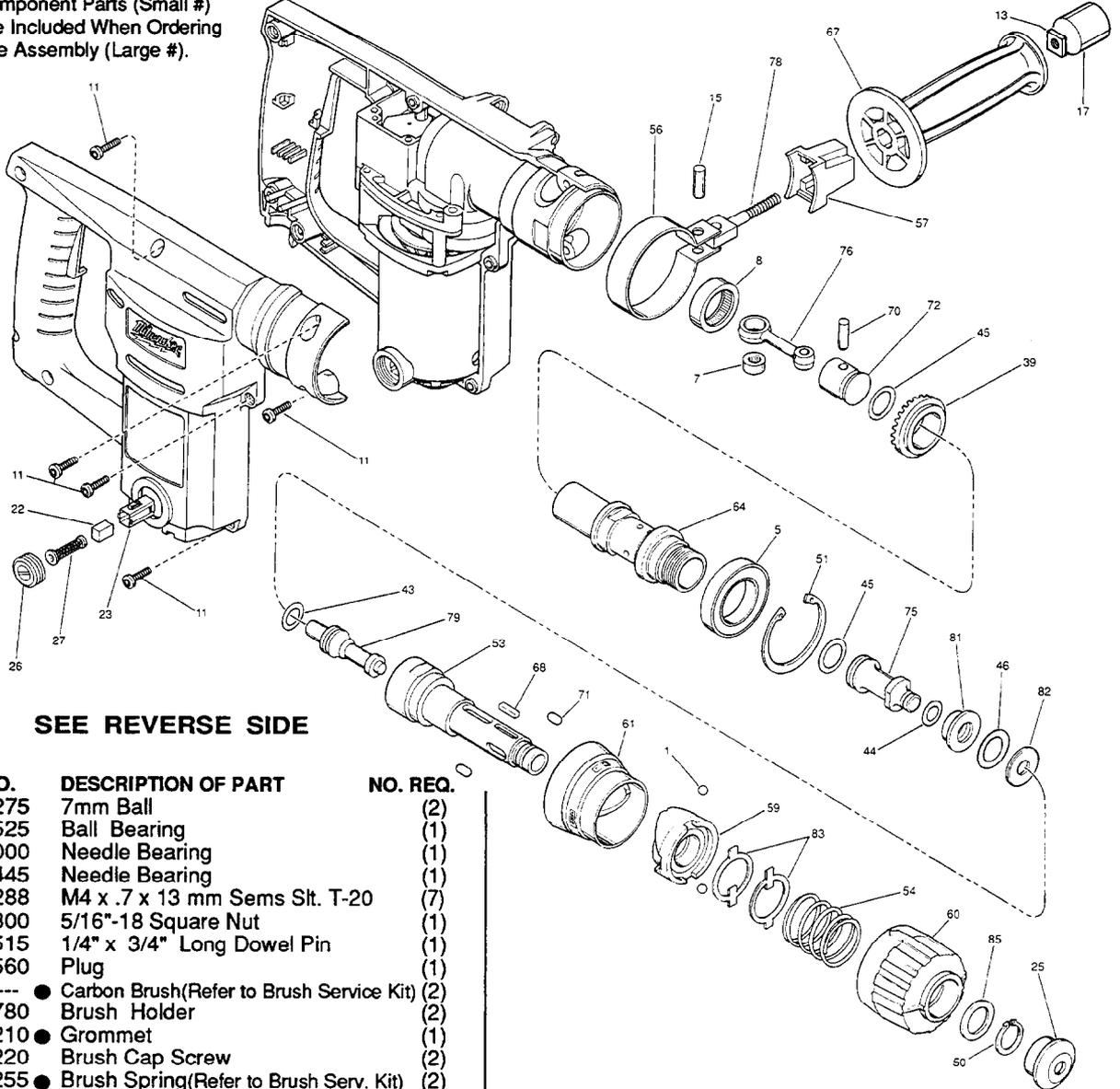
SERVICE PARTS LIST

BULLETIN NO.
55-24-0132

SPECIFY CATALOG NO. AND SERIAL NO. WHEN ORDERING PARTS		REVISED BULLETIN 55-24-0131	DATE Apr. '97
1" ROTARY HAMMER			
CATALOG NO.	5363-51	STARTING SERIAL NO.	707C
			WIRING INSTRUCTION 58-03-1331



EXAMPLE:
Component Parts (Small #)
Are Included When Ordering
The Assembly (Large #).



SEE REVERSE SIDE

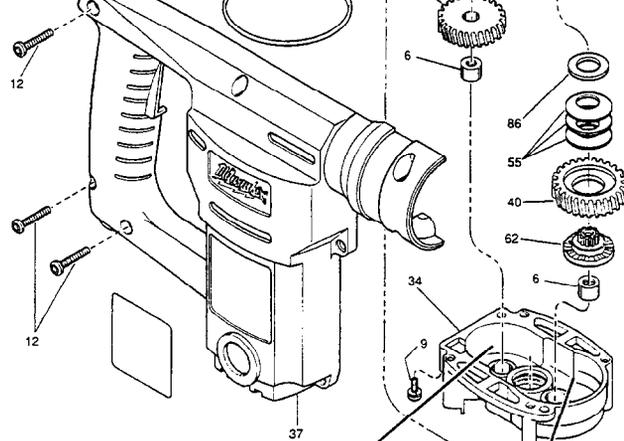
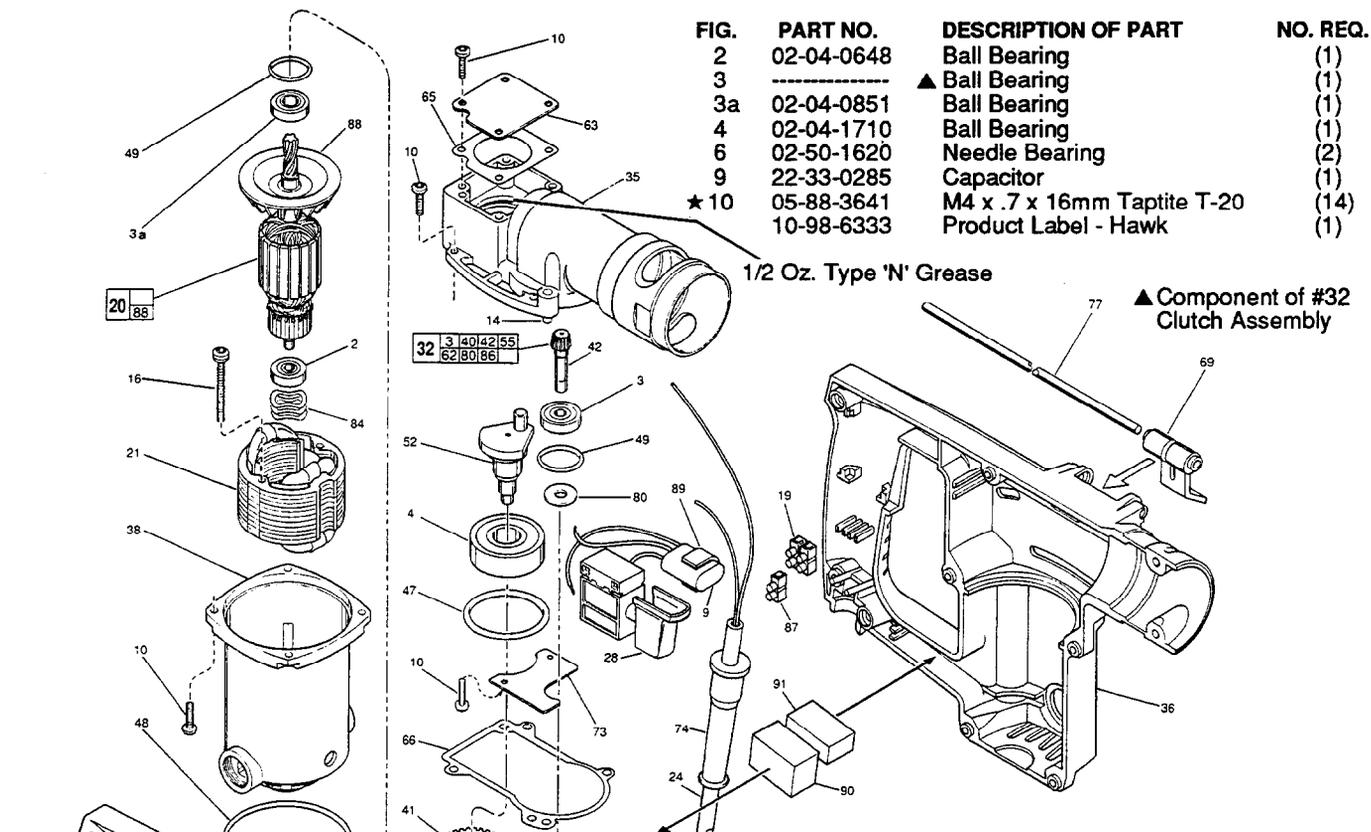
FIG.	PART NO.	DESCRIPTION OF PART	NO. REQ.
1	02-02-0275	7mm Ball	(2)
5	02-04-2525	Ball Bearing	(1)
7	02-50-2000	Needle Bearing	(1)
8	02-50-6445	Needle Bearing	(1)
11	05-88-8288	M4 x .7 x 13 mm Sems St. T-20	(7)
13	06-54-0300	5/16"-18 Square Nut	(1)
15	06-65-3515	1/4" x 3/4" Long Dowel Pin	(1)
17	44-68-0560	Plug	(1)
22	-----	● Carbon Brush(Refer to Brush Service Kit)	(2)
23	22-20-0780	Brush Holder	(2)
25	22-90-0210	● Grommet	(1)
26	23-44-0220	Brush Cap Screw	(2)
27	23-52-0255	● Brush Spring(Refer to Brush Serv. Kit)	(2)
39	32-05-2220	Bevel Gear	(1)
43	45-06-0510	● Quad Ring Seal	(1)
44	34-40-1210	● O-Ring	(1)
45	34-40-1215	● O-Ring	(2)
46	34-40-1220	● O-Ring	(1)
50	34-60-2520	● External Retaining Ring	(1)
51	34-80-2980	● Internal Retaining Ring	(1)
53	38-50-5790	Spindle	(1)
54	40-50-1275	Spring	(1)
56	42-16-0120	Side Handle Band	(1)
57	25-10-1501	Side Handle Bracket	(1)
59	42-50-0235	Chuck Cam	(1)
60	42-76-0485	Chuck Collar	(1)
61	42-76-0495	Lockout Collar	(1)
64	42-98-0190	Barrel	(1)
67	43-62-0840	Side Handle	(1)
68	43-96-0135	Key	(1)
★ 70	44-60-0701	Wrist Pin	(1)
71	44-60-1150	● Roller Pin	(2)
72	44-62-0161	Piston	(1)
75	44-82-0135	Ram	(1)

FIG.	PART NO.	DESCRIPTION OF PART	NO. REQ.
76	44-94-0270	Connecting Rod	(1)
78	45-04-0650	Side Handle Screw	(1)
79	45-56-2580	Striker	(1)
81	45-88-1130	Ram Catcher Washer	(1)
82	45-88-1135	Cushion Washer	(1)
83	45-88-5610	Spring Support Washer	(2)
85	45-88-8160	Chuck Collar Washer	(1)

FIG. LUBRICATION
64 3/4 Oz. Type "N" Grease, No. 49-08-4230, on barrel chamber (64) between bearing (5) and gear(39).

FIG. NOTES
46,53, Apply two (2) drops of Type AV 271 Red Loctite or equivalent to male threads of barrel (64), 180 degrees apart. Position ram catcher washer (81) into end of barrel (64). Place cushion washer (82) and o-ring (46) into spindle (53). Thread spindle onto barrel. Place spindle nose down and clamp with vice on spindle flats while turning barrel clockwise using flats of barrel. Tighten to 85 ft./lbs.

MILWAUKEE ELECTRIC TOOL CORPORATION
13135 W. LISBON RD., BROOKFIELD, WI 53005



3/4 oz. Type 'N' Grease,
3/8 oz. on each side.

- 22-18-0885 BRUSH SERVICE KIT**
THIS KIT INCLUDES:
- 2 ----- Carbon Brush
 - 2 23-52-0255 Brush Spring

- 14-46-5363 HAMMER SERVICE KIT**
THIS KIT INCLUDES:
- 1 22-90-0210 Grommet
 - 2 23-52-0255 Brush Spring
 - 1 34-40-1210 O-Ring
 - 2 34-40-1215 O-Ring
 - 1 34-40-1220 O-Ring
 - 1 34-40-1550 O-Ring
 - 1 34-40-2400 O-Ring
 - 2 34-40-2450 O-Ring
 - 1 34-60-2520 Retaining Ring
 - 1 43-44-0680 Gasket
 - 1 43-44-0905 Gasket
 - 2 44-60-1150 Roller Pin
 - 1 45-06-0510 Quad Ring Seal
 - 1 34-80-2980 Internal Retaining Ring
 - 1 49-08-4230 5 Oz. Type "N" Grease

FIG.	PART NO.	DESCRIPTION OF PART	NO. REQ.
2	02-04-0648	Ball Bearing	(1)
3	-----	▲ Ball Bearing	(1)
3a	02-04-0851	Ball Bearing	(1)
4	02-04-1710	Ball Bearing	(1)
6	02-50-1620	Needle Bearing	(2)
9	22-33-0285	Capacitor	(1)
★ 10	05-88-3641	M4 x .7 x 16mm Taptite T-20	(14)
	10-98-6333	Product Label - Hawk	(1)

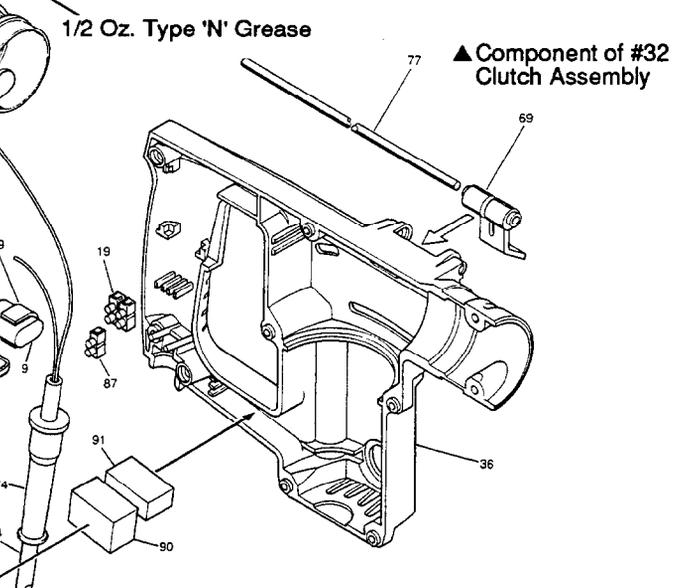


FIG.	PART NO.	DESCRIPTION OF PART	NO. REQ.
12	05-88-8296	M4 x .7 x 21mm Sems St. T-20	(3)
14	06-65-1310	1/4" x 5/8" Long Dowel Pin	(2)
16	06-82-8989	8-32 x 1-11/16" Pan Hd. T-20	(2)
18	12-20-0395	Service Nameplate Kit	(1)
19	22-56-0451	Terminal Block	(1)
20	16-14-0090	230 Volt Armature	(1)
21	18-14-0091	230 Volt Field	(1)
★ 24	22-64-4481	Cord Set	(1)
28	23-66-2126	TSC Switch	(1)
★ 32	14-08-0105	Clutch Assembly	(1)
★ 34	28-14-2141	Gear Case	(1)
35	28-14-2160	Crank Case	(1)
36	31-44-1326	Left Handle Half	(1)
37	31-44-1331	Right Handle Half	(1)
38	31-50-0860	Motor Housing	(1)
★ 40	-----	▲ Intermediate Clutch Gear	(1)
41	32-40-2020	Intermediate Crank Shaft Gear	(1)
42	-----	▲ Bevel Pinion	(1)
47	34-40-1550	● O-Ring	(1)
48	34-40-2400	● O-Ring	(1)
49	34-40-2450	● O-Ring	(2)
52	36-17-0100	Crank Shaft	(1)
★ 55	-----	▲ Belleville Washer	(3)
★ 62	-----	▲ Clutch Collar	(1)
63	42-92-0335	Crank Case Cover	(1)
65	43-44-0680	● Crank Case Cover Gasket	(1)
66	43-44-0905	● Gear Case Gasket	(1)
69	44-10-0300	Depth Rod Lever	(1)
★ 73	44-66-5761	Bearing Retaining Plate	(1)
74	44-76-0210	Cord Protector	(1)
77	44-94-0280	Depth Rod	(1)
★ 80	-----	▲ Washer	(1)
84	45-88-5615	Wave Spring Washer	(3)
★ 86	-----	▲ Washer	(1)
87	22-56-0456	Terminal Block	(1)
88	22-84-0650	Fan	(1)
89	45-12-0500	Dust Shield	(2)
90	45-06-0530	1" Handle Seal	(1)
91	45-06-0525	1/4" Handle Seal	(1)

FIG. LUBRICATION
 ★ 34 3/4 Oz. Type "N" Grease, No. 49-08-4230, in gear case.
 ★ 35 1/2 Oz. Type "N" Grease, No. 49-08-4230, in crank case cavity.