



# SERVICE PARTS LIST

**BULLETIN NO.**  
54-24-0162

SPECIFY CATALOG NO. AND SERIAL NO. WHEN ORDERING PARTS		REVISED BULLETIN 54-24-0161	DATE Nov. 2002
<b>MAGNUM TWO-SPEED HAMMER DRILL</b>			
CATALOG NO. <b>5370-1</b>	STARTING SERIAL NO. <b>672D</b>	WIRING INSTRUCTION <b>58-01-1650</b>	

Press into bearing housing #56. Press onto spindle after #60, #61 and #62 are slipped onto #63.

00 0

**EXAMPLE:**  
Component Parts (Small #) Are Included When Ordering The Assembly (Large #).

★ = Part number change from previous service parts list.

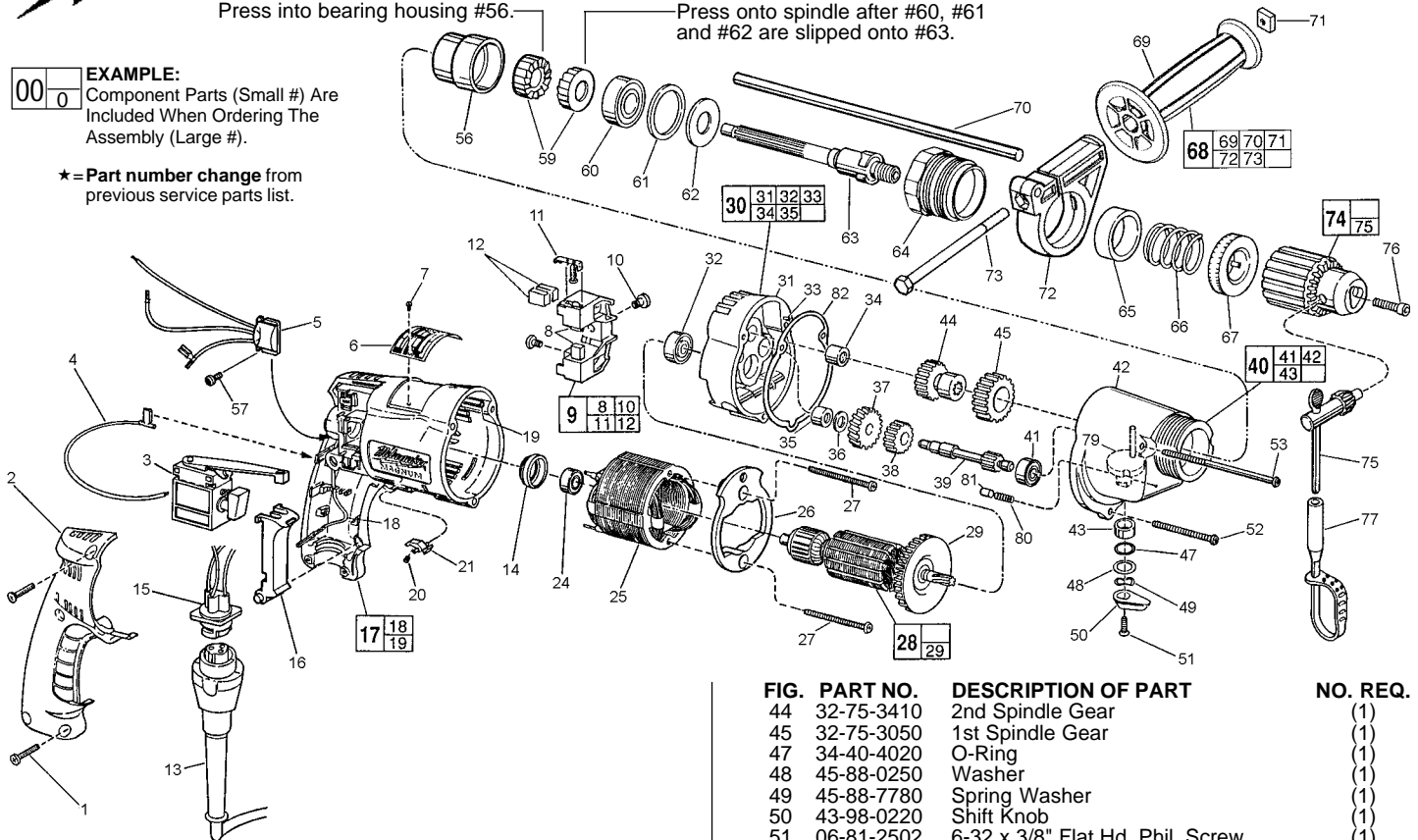


FIG.	PART NO.	DESCRIPTION OF PART	NO. REQ.
1	06-82-7266	7-18 x 11/16" Plastite T-20	(5)
2	31-15-0402	Handle Cover	(1)
3	23-66-1666	Trigger Speed Control Rev. Switch	(1)
4	23-94-6247	2-1/4" Lead Assembly	(1)
5	14-20-0795	Remote Electronic Assembly	(1)
6	12-99-0225	Nameplate Blank	(1)
7	06-72-1720	Nameplate Rivet	(2)
8	22-16-0300	Carbon Brush	(2)
9	22-22-0356	Brush Holder Assembly	(1)
10	31-75-0040	Brush Holder Screw	(2)
11	22-20-0355	Brush Spring Assembly	(2)
12	22-16-0300	Carbon Brush (Spares)	(2)
13	48-76-4008	8 Foot Quik-Lok Cord Set	(1)
14	22-72-0100	Bearing Cup	(1)
15	22-56-0807	Pin Housing Assembly	(1)
16	45-72-0081	Trigger	(1)
17	14-38-0540	Motor Housing Assembly	(1)
18	23-94-9960	Ground Wire Assembly	(1)
19	44-60-1290	Grounding Pin	(1)
20	40-50-0085	Lock Button Spring	(1)
21	42-42-0460	Lock Button	(1)
24	02-04-0645	Ball Bearing	(1)
25	18-11-0075	120 Volt Field	(1)
26	42-14-0390	Baffle	(1)
27	06-82-7398	7-18 x 2-1/16" Pan Hd. Plastite T-20	(2)
28	16-10-0800	120 Volt Armature	(1)
29	22-84-0880	Fan Assembly	(1)
30	14-13-0497	Diaphragm Assembly	(1)
31	-----	Diaphragm	(1)
32	02-04-0847	Ball Bearing	(1)
33	06-65-0880	Ground Pin	(1)
34	02-50-2020	Needle Bearing	(1)
35	02-50-1620	Needle Bearing	(1)
36	45-88-7721	Thrust Washer (Heat Treated)	(1)
37	32-40-1815	Intermediate Gear	(1)
38	32-44-1390	2nd Intermediate Pinion	(1)
39	36-66-1330	1st Intermediate Pinion	(1)
40	14-30-0382	Gear Case Assembly	(1)
41	02-04-0640	Ball Bearing	(1)
42	-----	Gear Case	(1)
43	-----	Bushing	(1)

FIG.	PART NO.	DESCRIPTION OF PART	NO. REQ.
44	32-75-3410	2nd Spindle Gear	(1)
45	32-75-3050	1st Spindle Gear	(1)
47	34-40-4020	O-Ring	(1)
48	45-88-0250	Washer	(1)
49	45-88-7780	Spring Washer	(1)
50	43-98-0220	Shift Knob	(1)
51	06-81-2502	6-32 x 3/8" Flat Hd. Phil. Screw	(1)
52	06-82-7393	7-18 x 2" Pan Hd. Screw T-20	(1)
53	06-82-7524	7-18 x 3-1/2" Pan Hd. Screw T-20	(2)
56	42-52-1012	Bearing Housing	(1)
57	06-82-7212	4-20 x 1/4" Pan Hd. Plastite T-10	(1)
59	44-84-0295	Ratchet	(2)
60	02-04-1536	Ball Bearing	(1)
61	45-88-7350	Bearing Retainer Washer	(1)
62	45-88-7365	Spring Support Washer	(1)
63	38-50-5297	Spindle	(1)
64	45-22-0405	Sleeve (Left Hand Thread)	(1)
65	45-88-7375	Felt Washer	(1)
66	40-50-4950	Spring	(1)
67	42-76-0200	Locking Collar	(1)
★ 68	14-46-5500	Side Handle Kit	(1)
★ 69	43-62-0842	Side Handle	(1)
70	44-94-0161	Depth Rod	(1)
★ 71	06-54-0300	5/16-18 Square Nut	(1)
★ 72	31-17-0230	Handle Ring	(1)
★ 73	06-75-5835	5/16 - 18 x 4-1/2" Hex Hd. Bolt	(1)
74	48-66-1365	1/2" Reversing Chuck	(1)
75	48-66-3280	Chuck Key	(1)
76	06-75-3155	1/4-20 x 1" Skt. Hd. Screw - L.H.Thread	(1)
77	48-66-4040	Key Holder	(1)
79	42-50-0106	Shift Cam	(1)
80	40-50-7761	Compression Spring	(1)
81	06-65-3680	Dowel Pin	(1)
82	43-44-0913	Gasket	(1)
-----	23-94-6232	4" Lead Assembly	(1)
-----	23-94-6237	4-1/8" Lead Assembly	(1)
-----	23-94-6242	3-3/8" Lead Assembly	(1)
-----	10-98-6070	Caution Label	(1)
-----	10-98-5986	Caution Label (Omit for Canadian Tools)	(1)

**FIG. LUBRICATION**

- 40 2 Oz. Type "E" Grease, No. 49-08-4122.
- 59 Apply Thin Coat Type "U" Grease, No. 49-08-0150, To Ratchet Teeth.

**MILWAUKEE ELECTRIC TOOL CORPORATION**  
13135 W. LISBON RD., BROOKFIELD, WI 53005