

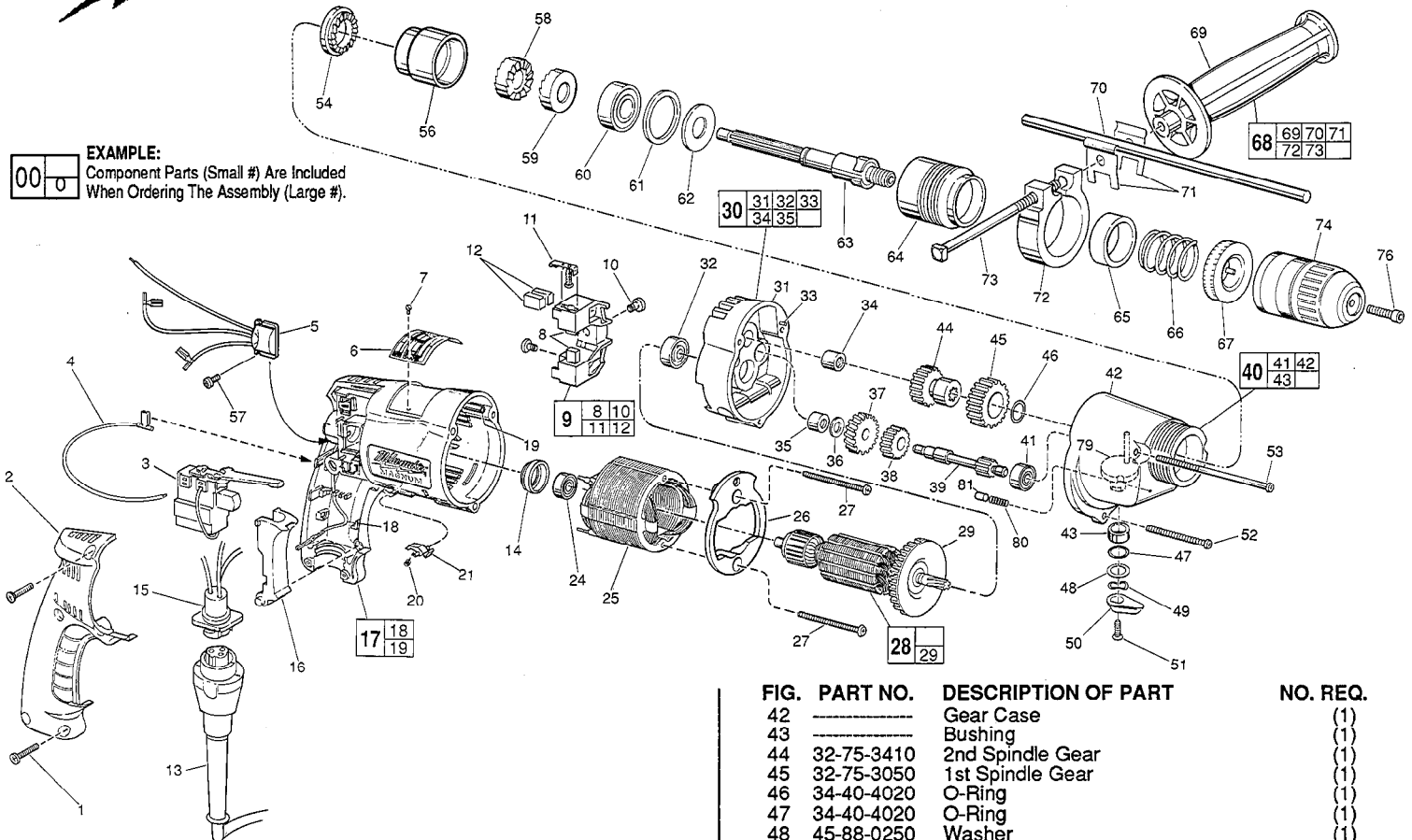


SERVICE PARTS LIST

BULLETIN NO.
54-24-3651

| | | | |
|--------------------------------------------------------|--------------------------------------|-----------------------------------------|----------|
| SPECIFY CATALOG NO. AND SERIAL NO. WHEN ORDERING PARTS | | REVISED BULLETIN | DATE |
| MAGNUM KEYLESS CHUCK HAMMER DRILL | | 54-24-3650 | Mar. '96 |
| CATALOGNO. 5376-1 | STARTING SERIAL NO. 819-39199 | WIRING INSTRUCTION 58-01-1600 | |

EXAMPLE:
Component Parts (Small #) Are Included
When Ordering The Assembly (Large #).



| FIG. | PART NO. | DESCRIPTION OF PART | NO. REQ. |
|------|----------|-------------------------------------------------|----------|
| | 1 | 06-82-7266 7-18 x 11/16" Plastite T-20 | (5) |
| ★ | 2 | 31-15-0402 Handle Cover | (1) |
| | 3 | 23-66-1665 Trigger Speed Control Rev. Switch | (1) |
| | 4 | 23-94-6245 2-1/4" Lead Assembly | (1) |
| ★ | 5 | 14-20-0765 Remote Electronic Assembly | (1) |
| | 6 | 12-99-0225 Nameplate Blank | (1) |
| ★ | 7 | 06-72-1720 Nameplate Rivet | (1) |
| | 8 | 22-16-0300 Carbon Brush | (2) |
| | 9 | 22-22-0356 Brush Holder Assembly | (1) |
| | 10 | 31-75-0040 Brush Holder Screw | (2) |
| | 11 | 22-20-0355 Brush Spring Assembly | (2) |
| | 12 | 22-16-0300 Carbon Brush (Spares) | (2) |
| | 13 | 48-76-4008 8 Foot Quik-Lok Cord Set | (1) |
| | 14 | 22-72-0100 Bearing Cup | (1) |
| | 15 | 22-56-0630 Pin Housing Assembly | (1) |
| | 16 | 45-72-0080 Trigger | (1) |
| | 17 | 14-38-0540 Motor Housing Assembly | (1) |
| | 18 | 23-94-9960 Ground Wire Assembly | (1) |
| | 19 | 44-60-1290 Grounding Pin | (1) |
| ★ | 20 | 40-50-0085 Lock Button Spring | (1) |
| ★ | 21 | 42-42-0460 Lock Button | (1) |
| | 24 | 02-04-0645 Ball Bearing | (1) |
| | 25 | 18-11-0075 120 Volt Field | (1) |
| ★ | 26 | 42-14-0390 Baffle | (1) |
| ★ | 27 | 06-82-7398 7-18 x 2-1/16" Pan Hd. Plastite T-20 | (2) |
| ★ | 28 | 16-10-0800 120 Volt Armature | (1) |
| ★ | 29 | 22-84-0880 Fan Assembly | (1) |
| | 30 | 14-13-0465 Diaphragm Assembly | (1) |
| | 31 | Diaphragm | (1) |
| | 32 | 02-04-0847 Ball Bearing | (1) |
| | 33 | 06-65-0825 1/8 x 1/2" Groove Pin | (1) |
| | 34 | 02-50-2020 Needle Bearing | (1) |
| | 35 | 02-50-1620 Needle Bearing | (1) |
| | 36 | 45-88-7721 Thrust Washer (Heat Treated) | (1) |
| | 37 | 32-40-1815 Intermediate Gear | (1) |
| | 38 | 32-44-1390 2nd Intermediate Pinion | (1) |
| | 39 | 36-66-1330 1st Intermediate Pinion | (1) |
| | 40 | 14-30-0381 Gear Case Assembly | (1) |
| | 41 | 02-04-0640 Ball Bearing | (1) |

| FIG. | PART NO. | DESCRIPTION OF PART | NO. REQ. |
|------|----------|------------------------------------------------------|----------|
| | 42 | Gear Case | (1) |
| | 43 | Bushing | (1) |
| | 44 | 32-75-3410 2nd Spindle Gear | (1) |
| | 45 | 32-75-3050 1st Spindle Gear | (1) |
| | 46 | 34-40-4020 O-Ring | (1) |
| | 47 | 34-40-4020 O-Ring | (1) |
| | 48 | 45-88-0250 Washer | (1) |
| | 49 | 45-88-7780 Spring Washer | (1) |
| | 50 | 43-98-0220 Shift Knob | (1) |
| | 51 | 06-81-2502 6-32 x 3/8" Flat Hd. Phil. Screw | (1) |
| | 52 | 06-82-7393 7-18 x 2" Pan Hd. Screw T-20 | (1) |
| | 53 | 06-82-7524 7-18 x 3-1/2" Pan Hd. Screw T-20 | (2) |
| | 54 | 44-84-0120 Fixed Ratchet | (1) |
| | 56 | 42-52-1010 Bearing Housing | (1) |
| | 57 | 06-82-7212 4-20 x 1/4" Pan Hd. Plastite T-10 | (1) |
| | 58 | 44-84-0150 Intermediate Ratchet | (1) |
| | 59 | 44-84-0145 Rotating Ratchet | (1) |
| | 60 | 02-04-1536 Ball Bearing | (1) |
| | 61 | 45-88-7350 Bearing Retainer Washer | (1) |
| | 62 | 45-88-7365 Spring Support Washer | (1) |
| | 63 | 38-50-5295 Spindle | (1) |
| | 64 | 45-22-0405 Sleeve (Left Hand Thread) | (1) |
| | 65 | 45-88-7375 Felt Washer | (1) |
| | 66 | 40-50-4950 Spring | (1) |
| | 67 | 42-76-0200 Locking Collar | (1) |
| | 68 | 14-34-0250 Side Handle Assembly | (1) |
| | 69 | 43-62-0865 Side Handle | (1) |
| | 70 | 44-94-0161 Depth Rod | (1) |
| | 71 | 42-68-0390 Depth Gauge Clamp | (2) |
| | 72 | 25-82-0140 Clamping Collar | (1) |
| | 73 | 42-32-0161 5/16 - 18 x 3-1/2" Square Hd. Bolt | (1) |
| | 74 | 48-66-0600 1/2" Keyless Chuck | (1) |
| ★ | 76 | 06-75-3155 1/4-20 x 1" Socket Hd. Screw - L.H.Thread | (1) |
| | 79 | 42-50-0106 Shift Cam Assembly | (1) |
| | 80 | 40-50-7761 Compression Spring | (1) |
| | 81 | 06-65-3680 Dowel Pin | (1) |
| | | 10-98-6070 Caution Label | (1) |
| | | 10-98-5986 Caution Label (Omit for Canadian Tools) | (1) |

FIG. LUBRICATION
40 2 Oz. Type "E" Grease, No. 49-08-4122.
54,58,59 Apply Thin Coat Type "U" Grease, No. 49-08-0150,
To Ratchet Teeth

MILWAUKEE ELECTRIC TOOL CORPORATION
13135 W. LISBON RD., BROOKFIELD, WI 53005
Drwg. 1