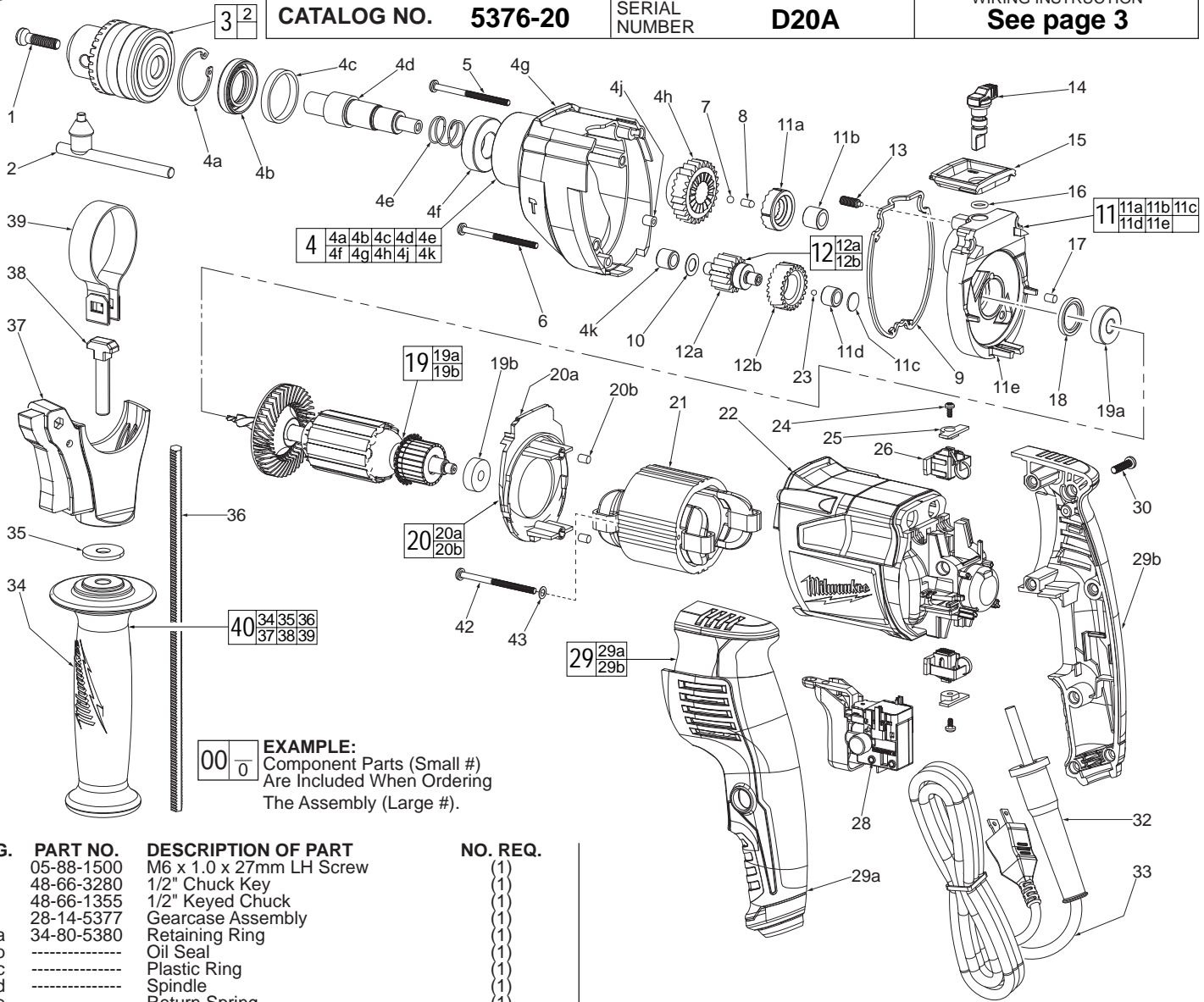




SERVICE PARTS LIST

BULLETIN NO.
54-24-3660

SPECIFY CATALOG NO. AND SERIAL NO. WHEN ORDERING PARTS		REVISED BULLETIN	DATE
1/2" SINGLE SPEED HAMMER-DRILL			Aug. 2012
CATALOG NO.	5376-20	SERIAL NUMBER	D20A
		WIRING INSTRUCTION See page 3	



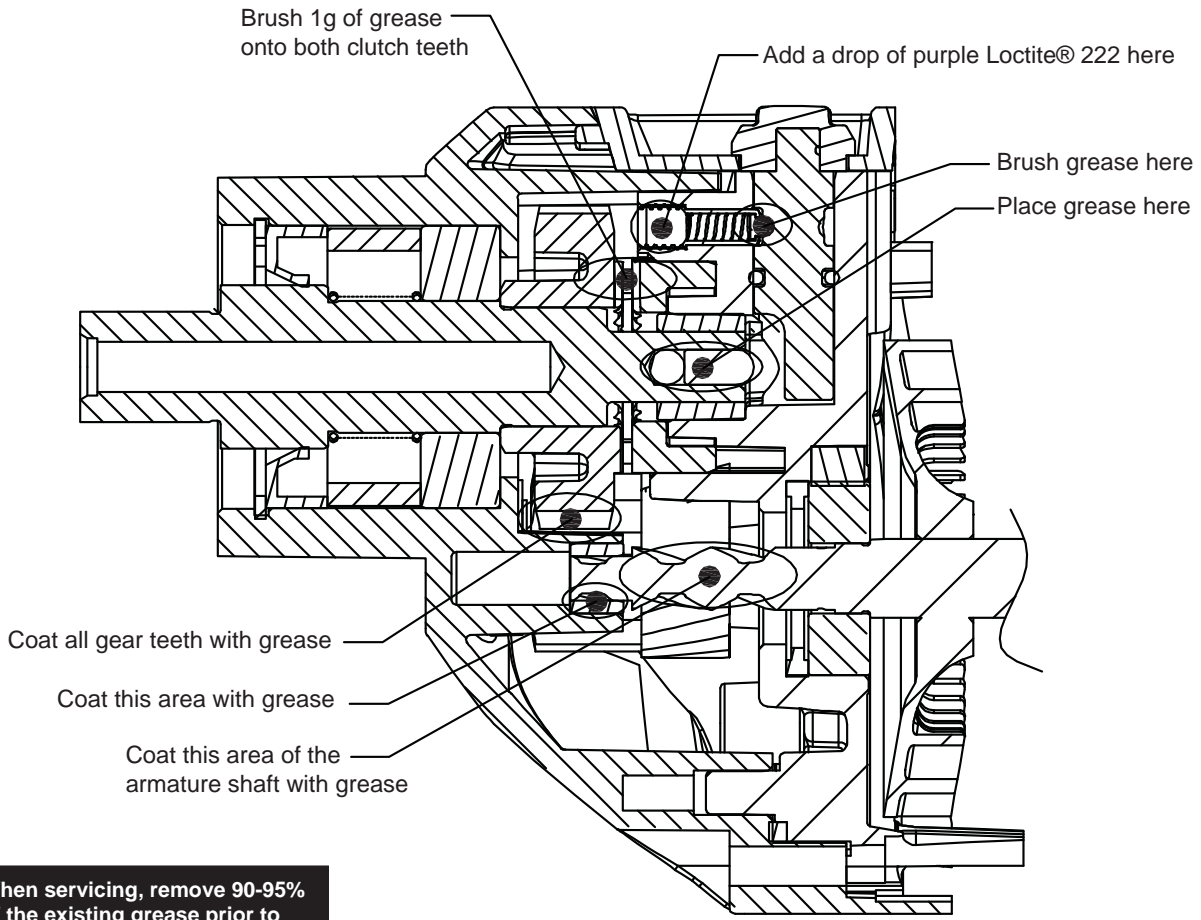
EXAMPLE:
Component Parts (Small #)
Are Included When Ordering
The Assembly (Large #).

FIG.	PART NO.	DESCRIPTION OF PART	NO. REQ.
1	05-88-1500	M6 x 1.0 x 27mm LH Screw	(1)
2	48-66-3280	1/2" Chuck Key	(1)
3	48-66-1355	1/2" Keyed Chuck	(1)
4	28-14-5377	Gearcase Assembly	(1)
4a	34-80-5380	Retaining Ring	(1)
4b	-----	Oil Seal	(1)
4c	-----	Plastic Ring	(1)
4d	-----	Spindle	(1)
4e	-----	Return Spring	(1)
4f	-----	Ball Bearing	(1)
4g	-----	Gearcase	(1)
4h	-----	2nd Stage Gear with Rotating Clutch	(1)
4j	-----	Bushing	(1)
4k	-----	Needle Bearing	(1)
5	06-81-5380	M4 x 52 Pan Hd. ST T-20 Screw	(2)
6	06-81-5383	M4 x 35 Pan Hd. ST T-20 Screw	(1)
7	02-02-5380	Steel Ball	(1)
8	44-60-5381	Pin	(1)
9	43-44-5376	Rubber Gasket	(1)
10	45-88-5381	Washer	(1)
11	28-28-5376	Diaphragm Assembly	(1)
11a	-----	Fixed Clutch	(1)
11b	-----	Needle Bearing	(1)
11c	-----	Washer	(1)
11d	-----	Needle Bearing	(1)
11e	-----	Diaphragm	(1)
12	14-29-5376	Gear Shaft Assembly	(1)
12a	-----	Gear Shaft	(1)
12b	-----	1st Reduction Gear	(1)
13	44-70-5376	Spring Plunger	(1)
14	44-10-5376	Selector Lever / Impact Pin Assembly	(1)
15	42-92-5376	Selector Plate	(1)
16	34-40-5376	O-Ring	(1)
17	42-34-5380	Rubber Knock	(1)
18	43-44-5377	Rubber Seal Ring	(1)
19	16-07-5376	Armature Assembly	(1)
19a	02-04-5381	Ball Bearing	(1)
19b	02-04-5382	Ball Bearing	(1)
20	14-34-5383	Fan Baffle Assembly	(1)
20a	-----	Baffle	(1)
20b	-----	Rubber Knock	(2)

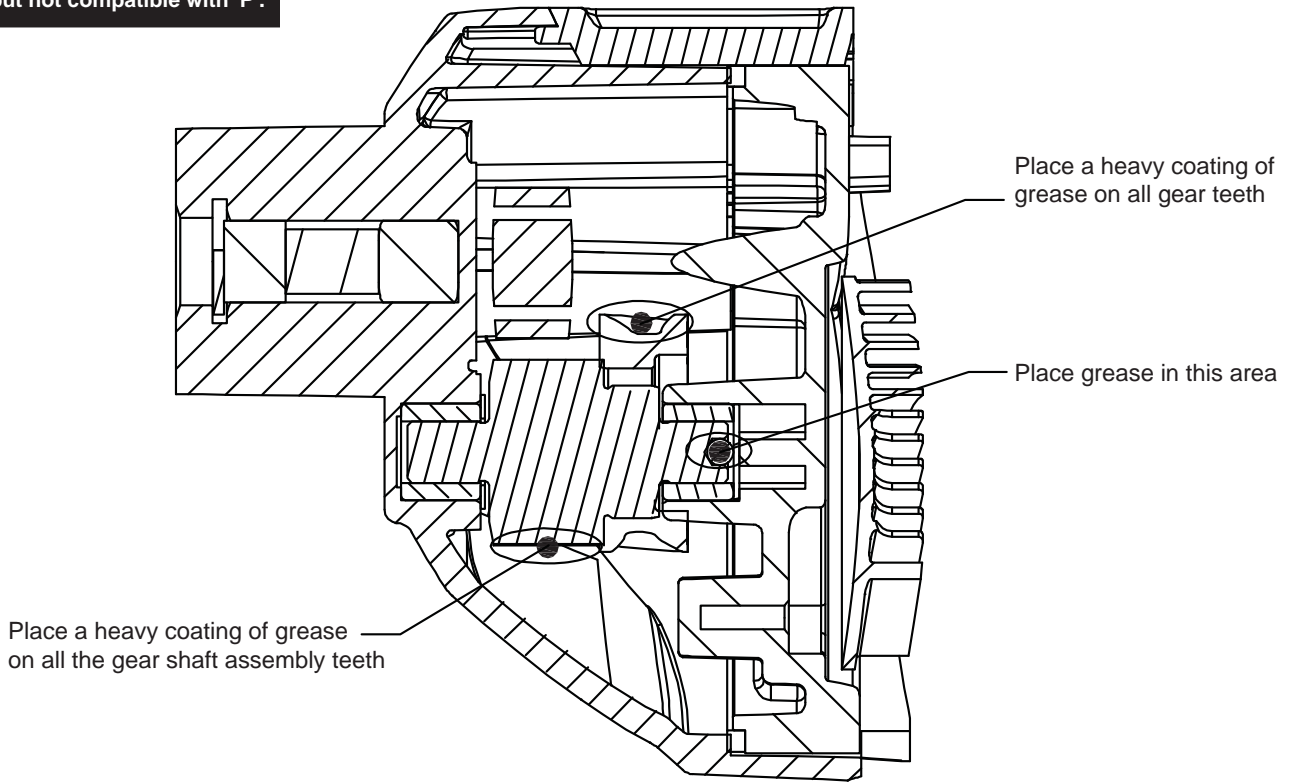
FIG.	PART NO.	DESCRIPTION OF PART	NO. REQ.
21	18-07-5376	Field	(1)
22	31-50-5378	Motor Housing	(1)
23	02-02-0165	Steel Ball	(1)
24	06-81-5381	M3 x 6mm Pan Hd. Phillips ST Screw	(2)
25	44-66-5379	Pressure Plate	(2)
26	22-22-5380	Self-Stop Carbon Brush Assembly	(1)
27	22-22-5381	Carbon Brush Assembly	(1)
28	23-66-5380	Switch	(1)
29	14-34-5378	Rear Handle Assembly	(1)
29a	-----	Handle Halve - Left	(1)
29b	-----	Handle Halve - Right	(1)
30	05-88-1200	M4 x 16mm Pan Hd. ST T-20 Screw	(1)
32	44-76-0210	Cord Protector	(1)
33	22-64-0216	Power Cord	(1)
34	31-05-5383	Side Handle	(1)
35	45-88-5377	Steel Washer	(1)
36	44-94-5381	Depth Gauge	(1)
37	14-34-5374	Side Handle Carrier Assembly	(1)
38	05-81-5376	M8 x 53mm Screw	(1)
39	40-50-5375	Side Handle Clamping Band	(1)
40	14-34-5388	Side Handle Assembly	(1)
41	12-20-5379	Service Nameplate (Not Shown)	(1)
42	06-81-5385	Field Screw	(2)
43	45-88-5400	Field Washer	(2)
	48-66-4040	Chuck Key Holder (Not Shown)	(1)
	23-94-5381	Red Brush Leadwire Assy. (Not Shown)	(1)
	23-94-5379	Black Brush Leadwire Assy. (Not Shown)	(1)

MILWAUKEE ELECTRIC TOOL CORPORATION
13135 W. LISBON RD., BROOKFIELD, WI 53005
Drwg. 4

Lubrication Notes:
Use Milwaukee 'P' Grease
Cat. No. 49-08-4250



When servicing, remove 90-95% of the existing grease prior to installing Type 'P' grease. Original grease maybe similar in color but not compatible with 'P'.



WIRING INSTRUCTIONS

TITLE

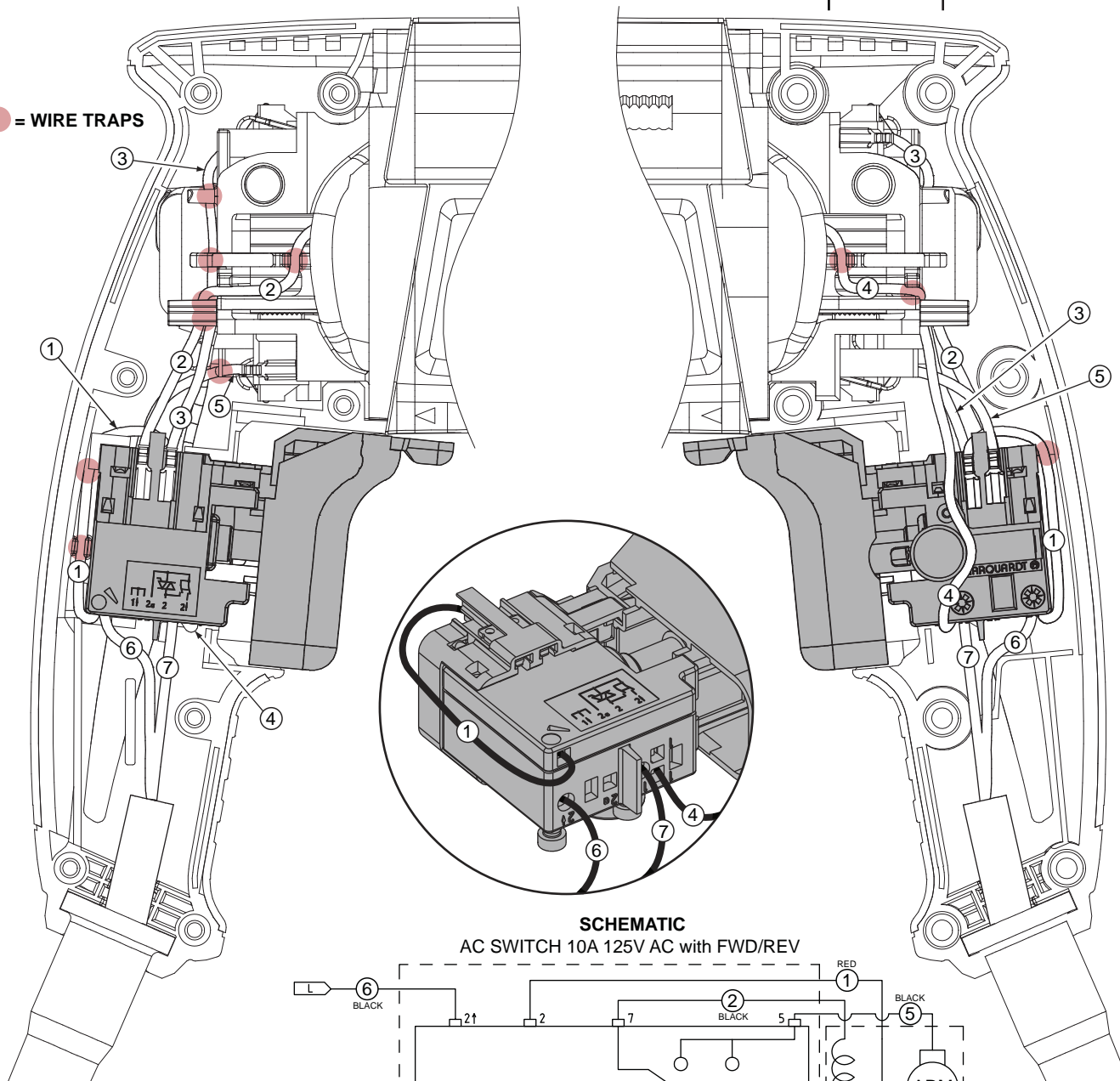
1/2" HAMMER-DRILL

BULLETIN

MILWAUKEE ELECTRIC TOOL CORP. 13135 WEST LISBON RD. BROOKFIELD, WIS.

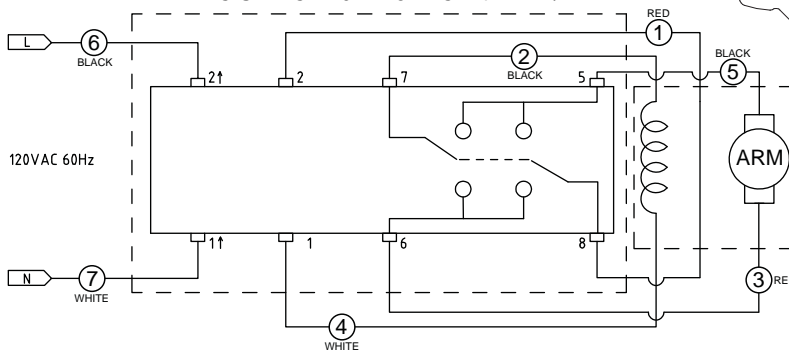
DATE

● = WIRE TRAPS



SCHEMATIC

AC SWITCH 10A 125V AC with FWD/REV



NOTE: As an aid to reassembly, take note of the wire routings and position of the wires in the wire guides and traps prior to dismantling the tool.

Watch for pinched wires when placing the handle cover back over the housing assembly.

WIRING SPECIFICATIONS

Wire No.	Wire Color	Origin or Gauge	Length	Terminals, Connectors and 1 or 2 End Wire Preparation
1	Red	Switch	-----	Non-terminated end to '2' and terminated end to '8' on switch.
2	Black	Field	-----	Route from field to '7' on switch.
3	Red	23-94-5381	-----	Connect to '6' on switch and route to top brush assembly.
4	White	Field	-----	Route from field to '1' on switch.
5	Black	23-94-5379	-----	Connect to '5' on switch and route to bottom brush assembly.
6	Black	Cord	-----	Connect to '2↑' on switch.
7	White	Cord	-----	Connect to '1↑' on switch.

BULK LEAD WIRE - BULLETIN NO. 58-01-0003

NOTE:

All leads must be held to ± 1/8".
All lead lengths are before strip-

TERMINAL DESCRIPTION

Code	Part No.	Qty.