



# SERVICE PARTS LIST

BULLETIN NO.  
54-24-1324

SPECIFY CATALOG NO. AND SERIAL NO. WHEN ORDERING PARTS		REVISED BULLETIN	DATE
'D' HANDLE HAMMER DRILL D.I.		54-24-1323	Apr. '88
CATALOG NO. 5388	STARTING SERIAL NO. 609-17200	WIRING INSTRUCTION 58-01-0200	

**EXAMPLE:**

00 Component Parts (Small #) Are Included  
When Ordering The Assembly (Large #).

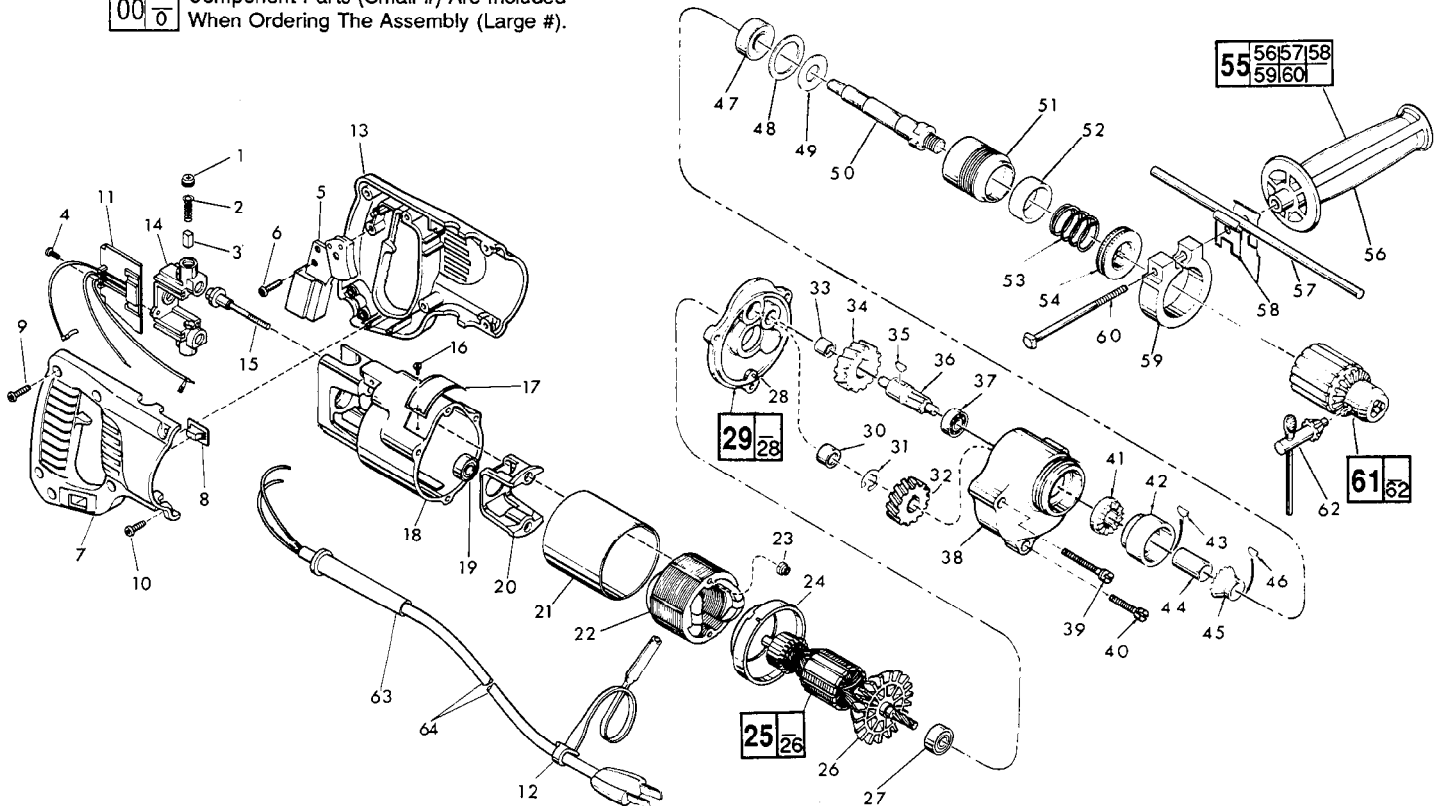


FIG.	PART NO.	DESCRIPTION OF PART	NO. REQ.	FIG.	PART NO.	DESCRIPTION OF PART	NO. REQ.
1	23-44-0190	Brush Retaining Screw	(2)	34	32-40-1241	Intermediate Gear	(1)
2	23-52-0160	Brush Spring	(2)	35	06-42-0800	Woodruff Key	(1)
3	22-16-0275	Carbon Brush	(2)	36	36-66-2701	Intermediate Shaft	(1)
★ 4	06-95-0075	6-32 x 3/8" Truss Hd. Taptite Screw	(2)	37	02-04-0640	Ball Bearing	(1)
★ 5	23-66-1470	Switch	(1)	38	28-14-1915	Gear Case	(1)
★ 6	06-82-7260	7-18x5/8" Torx Plastite Screw	(1)	39	06-82-5502	8-32 x 2-1/4" Pan Hd. Slit. Taptite Torx	(2)
★ 7	31-44-1466	R. H. Half D Handle	(1)	40	06-82-5404	8-32 x 1-3/8" Pan Hd. Slit. Taptite Torx	(1)
★ 8	31-53-0120	Plug	(1)	41	44-84-0100	Fixed Ratchet	(1)
★ 9	06-82-7260	7-18 x 5/8" Torx Plastite Screw	(5)	42	42-52-0250	Bearing Housing	(1)
★ 10	06-82-5316	8-32x1/2" Torx Taptite Screw	(4)	43	06-42-1200	Woodruff Key	(1)
★ 11	14-20-0266	Remote Electronic Assembly	(1)	44	45-36-0890	Spacer	(1)
12	48-66-4040	Key Holder	(1)	45	44-84-0110	Rotating Ratchet	(1)
★ 13	31-44-1471	L.H. Half D Handle	(1)	46	06-42-0800	Woodruff Key	(1)
14	22-22-1330	Brush Holder Assembly	(1)	47	02-04-1536	Ball Bearing	(1)
15	06-81-1058	Insulated Field Bolt	(2)	48	45-88-7350	Bearing Retaining Washer	(1)
16	06-85-0200	6x1/4 Rd. Hd. Type Z Screw	(2)	49	45-88-7365	Spring Support Washer	(1)
★ 17	12-99-0545	Nameplate	(1)	50	38-50-5150	Spindle	(1)
18	28-50-6201	Motor Housing	(1)	51	45-22-0405	Sleeve	(1)
19	02-04-0845	Ball Bearing	(1)	52	45-88-7375	Felt Washer	(1)
20	31-55-0030	Coil Shield	(1)	53	40-50-4950	Spring	(1)
21	23-16-0456	Field Insulator	(1)	54	42-76-0200	Locking Collar	(1)
22	18-30-0100	120 Volt Field	(1)	55	14-34-0250	Side Handle Assembly	(1)
23	06-57-2975	8-32 Flexlock Hex Nut	(2)	56	43-62-0865	Side Handle	(1)
24	31-05-0050	Baffle	(1)	57	44-94-0161	Depth Gauge Rod	(1)
25	16-30-0225	120 Volt Armature	(1)	58	42-68-0390	Clamp	(2)
26	22-84-0530	Fan Assembly	(1)	59	28-82-0150	Handle Ring	(1)
27	02-04-0911	Ball Bearing	(1)	60	42-32-0160	Bolt	(1)
28	06-65-0825	Groove Pin	(1)	★ 61	48-66-1365	1/2" Chuck	(1)
★ 29	28-28-0586	Diaphragm	(1)	62	48-66-3280	Chuck Key	(1)
30	02-50-2110	Needle Bearing	(1)	63	44-76-0150	Cord Protector	(1)
31	34-60-1000	Retaining Ring	(1)	64	22-64-0408	Cord Set	(1)
32	32-75-2001	Spindle Gear	(1)		10-98-5986	Caution Label	(1)
33	02-50-1640	Needle Bearing	(1)				

MILWAUKEE ELECTRIC TOOL CORPORATION  
13135 W. LISBON RD., BROOKFIELD, WI 53005