



SERVICE PARTS LIST

BULLETIN NO.
55-24-1324

SPECIFY CATALOG NO. AND SERIAL NO. WHEN ORDERING PARTS		REVISED BULLETIN	DATE
'D' HANDLE HAMMER DRILL D.I.			June '91
CATALOG NO. 5389-2	STARTING SERIAL NO. 609-1001	WIRING INSTRUCTION	
		58-01-0200	

EXAMPLE:
Component Parts (Small #) Are Included
When Ordering The Assembly (Large #).

00
0

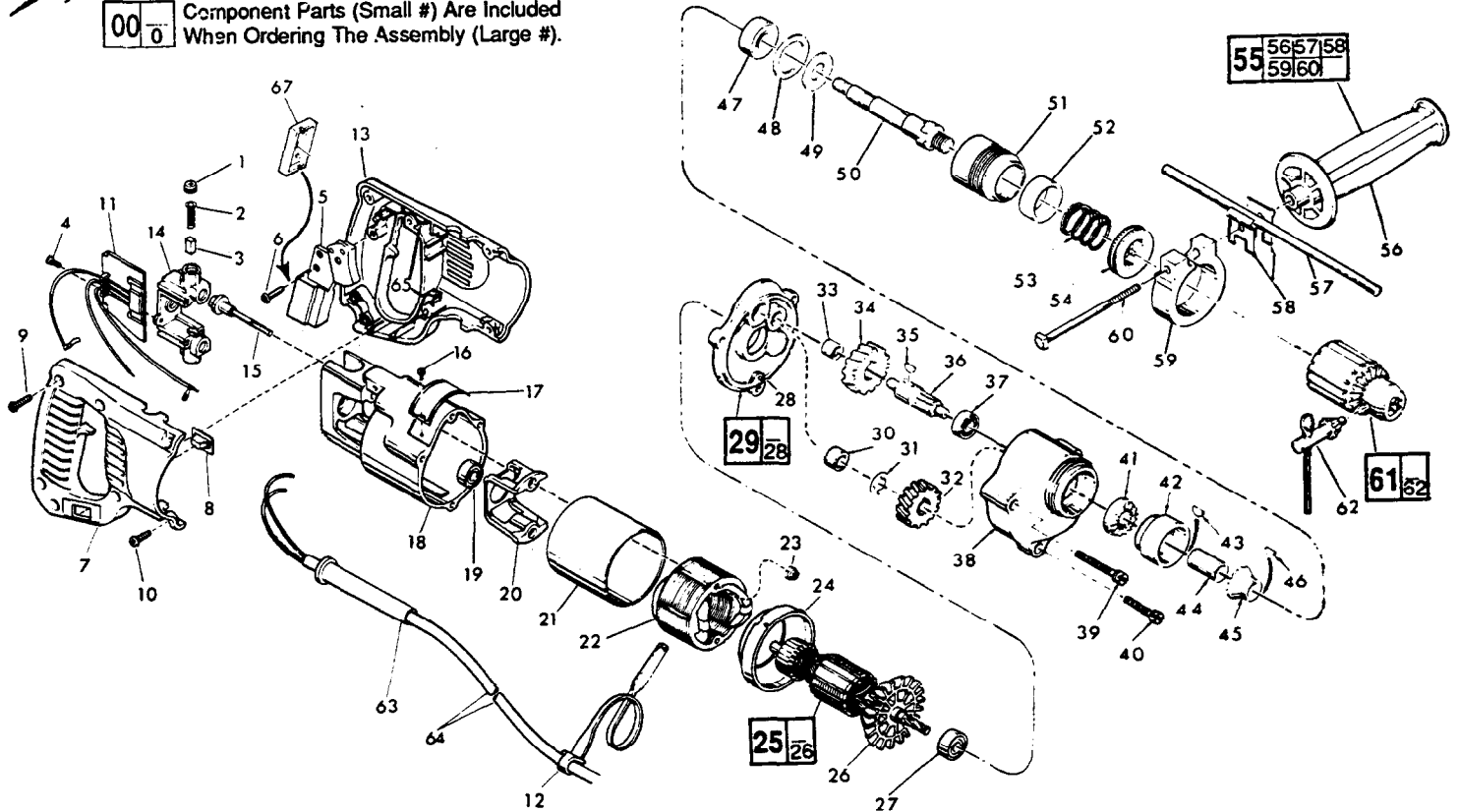


FIG.	PART NO.	DESCRIPTION OF PART	NO. REQ.	FIG.	PART NO.	DESCRIPTION OF PART	NO. REQ.
1	23-44-0190	Brush Retaining Screw	(2)	36	36-66-2701	Intermediate Shaft	(1)
2	23-52-0160	Brush Spring	(2)	37	02-04-0640	Ball Bearing	(1)
3	22-16-0375	Carbon Brush	(2)	38	28-14-1915	Gear Case	(1)
4	06-95-0075	6-32 x 3/8" Truss Hd. Taptite Screw	(2)	39	06-82-5502	8-32 x 2-1/4" Pan Hd. Slit. Taptite Torx	(2)
5	23-66-1975	Switch	(1)	40	06-82-5404	8-32 x 1-3/8" Pan Hd. Slit. Taptite Torx	(1)
6	06-82-7270	8-16 x 5/8" Torx Plastite Screw	(1)	41	44-84-0100	Fixed Ratchet	(1)
7	31-44-1467	R. H. Half D Handle	(1)	42	42-52-0250	Bearing Housing	(1)
8	31-53-0120	Plug	(1)	43	06-42-1200	Woodruff Key	(1)
9	06-82-7270	7-18 x 5/8" Torx Plastite Screw	(5)	44	45-36-0890	Spacer	(1)
10	06-82-5316	8-32 x 1/2" Torx Taptite Screw	(4)	45	44-84-0110	Rotating Ratchet	(1)
11	14-20-0435	Remote Electronic Assembly	(1)	46	06-42-0800	Woodruff Key	(1)
12	48-66-4040	Key Holder	(1)	47	02-04-1536	Ball Bearing	(1)
13	14-34-0422	L.H. Half D Handle Assembly	(1)	48	45-88-7350	Bearing Retaining Washer	(1)
14	22-22-1380	Brush Holder Assembly	(1)	49	45-88-7365	Spring Support Washer	(1)
15	06-81-1060	Insulated Field Bolt	(2)	50	38-50-5150	Spindle	(1)
16	06-85-0200	6 x 1/4 Rd. Hd. Type Z Screw	(2)	51	45-22-0405	Sleeve	(1)
17	12-99-0065	Nameplate	(1)	52	45-88-7375	Felt Washer	(1)
18	28-50-6211	Motor Housing	(1)	53	40-50-4950	Spring	(1)
19	02-04-0845	Ball Bearing	(1)	54	42-76-0200	Locking Collar	(1)
20	31-55-0030	Coil Shield	(1)	55	14-34-0250	Side Handle Assembly	(1)
21	23-16-0456	Field Insulator	(1)	56	43-62-0865	Side Handle	(1)
22	18-36-0100	240 Volt Field	(1)	57	44-94-0161	Depth Gauge Rod	(1)
23	06-57-2975	8-32 Flexlock Hex Nut	(2)	58	42-68-0390	Clamp	(2)
24	31-05-0050	Baffle	(1)	59	28-82-0150	Handle Ring	(1)
25	16-36-0225	240 Volt Armature	(1)	60	42-32-0160	Bolt	(1)
26	22-84-0531	Fan Assembly	(1)	61	48-66-1365	1/2" Chuck	(1)
27	02-04-0911	Ball Bearing	(1)	62	48-66-3280	Chuck Key	(1)
28	06-65-0825	Groove Pin	(1)	63	44-76-0210	Cord Protector	(1)
29	28-28-0601	Diaphragm	(1)	64	22-64-4480	Cord Set	(1)
30	02-50-2110	Needle Bearing	(1)	65	14-46-1001	Foam Slug Kit - 10 Slugs	(2)
31	34-63-1000	Retaining Ring	(1)	67	45-12-0470	Dust Shield	(1)
32	32-75-2001	Spindle Gear	(1)				
33	02-50-1640	Needle Bearing	(1)				
34	32-40-1241	Intermediate Gear	(1)				
35	06-42-0800	Woodruff Key	(1)				

MILWAUKEE ELECTRIC TOOL CORPORATION
13135 W. LISBON RD., BROOKFIELD, WI 53005