

48" MULCHING INSTRUCTIONS FOR: ZeroTurn Small Frame Rider

INSTALLATION INSTRUCTIONS FOR THE FOLLOWING KITS & MODELS:

KIT PART NO.- 539104735

968999129	968999168	ZKWQL48170	ZKWQL48191
968999151	968999169	ZKWQL48171	ZKWQL48192
968999152	ZKW48170	ZKWQL48172	
968999157	ZKW48190	ZKWQL48190	

To ensure acceptable mulching performance, the following guidelines must be followed:

1. The amount of grass that is to be cut off in one pass should not exceed 1/3 of the total grass height. Example: If the grass height is 3" you should not have your mower deck cutting height set less than 2".
2. Ground speed should normally be reduced to allow clippings to be finely mulched.
3. Engine RPM should be set at maximum.
4. Blades must be kept sharp.
5. The underside of deck should be cleaned out often to prevent grass accumulation.
6. Conditions must be dry. Wet grass does not mulch well and grass will accumulate under deck.

IMPORTANT: BEFORE PROCEEDING, PLACE ALL CONTROLS IN THE DISENGAGED OR THE OFF POSITION, REMOVE SPARK PLUG WIRES FROM THE SPARK PLUGS. REMOVE FOOT PLATE.

Installation Instructions:

Step 1: Block the front of the mower up to give access to the underside of the front deck. Then carefully remove the standard blades. Clean any grass out from underneath the deck.

Step 2: In the kit there are two baffle sections(item 1 and 2). Bolt the two sections together in the front using two of the carriage bolts provided. (see fig. 2) NOTE: Turn the fasteners as shown in fig. 2.

Step 3: With the discharge chute up and the two sections bolted together, place the baffle up under the deck and install the carriage bolts(item 5) thru the bottom. (see fig. 3)

Step 4: Using the two 5/16C x 4 1/2" bolt(item 9), flanged washer(item 12), and center lock nut, fasten the 'V' of the baffle to the deck.(see fig. 3) The flanged washer should be turned so the lip catches the front of the 'V' on the baffle.

Step 5: Using two of the 5/16C x 1" bolts(item 4) and washers(item 6) fasten the discharge cover plate to the deck. (see fig. 3)

Step 6: Install the clamp(item 3) as shown in fig. 3. Use a 5/16C x 1" bolt(item 4), two 5/16 washers(6), and a 5/16C nut(item 7). Make sure both washers(item 6) are between the clamp and the discharge cover and clamp overlaps onto the front corner of the deck as shown. (see fig. 3)

Step 7: Install the center deflectors(item 11) on both sides.(see fig. 3)

Step 8: Install the mulching blades(item 8). Rotate the blades by hand and check for clearance of all baffles and deflectors.

Step 9: Make sure all hardware is tight and remove blocks and return the mower to it's normal position.

PARTS LIST

ITEM	PART NO.	QTY.	DESCRIPTION
1.	539103439	1	BAFFLE, 48"
2.	539103440	1	DISCHARGE BAFFLE, 48"
3.	539101595	1	CLAMP
4.	539990209	3	HCS 5/16C X 1" GRADE 5
5.	539990799	9	5/16C X 5/8" CARRIAGE BOLT
6.	539990692	6	5/16 FLAT WASHER
7.	539990184	16	5/16C CENTERLOCK NUT
8.	539101496	3	MULCH BLADE 16 1/4"
9.	539976940	2	HCS 5/16C X 4 1/2"
10.	539103595	1	TEMPLATE
11.	539103441	2	CENTER DEFLECTOR
12.	539103606	2	FLANGED WASHER

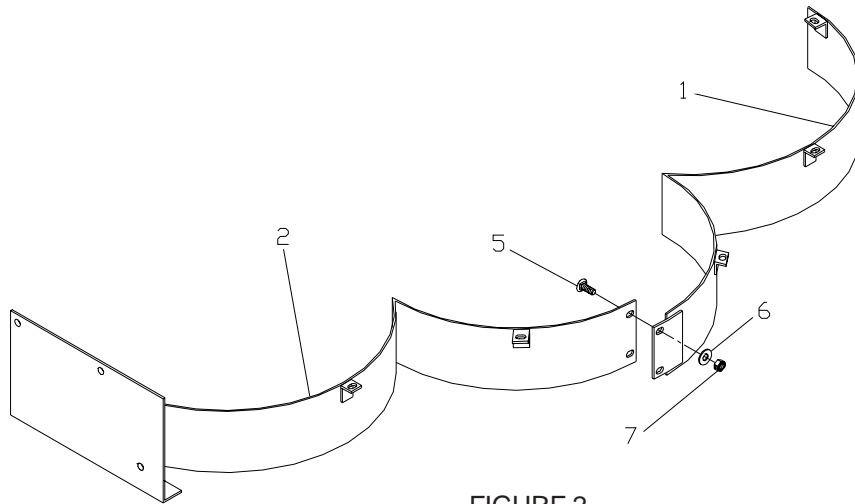


FIGURE 2

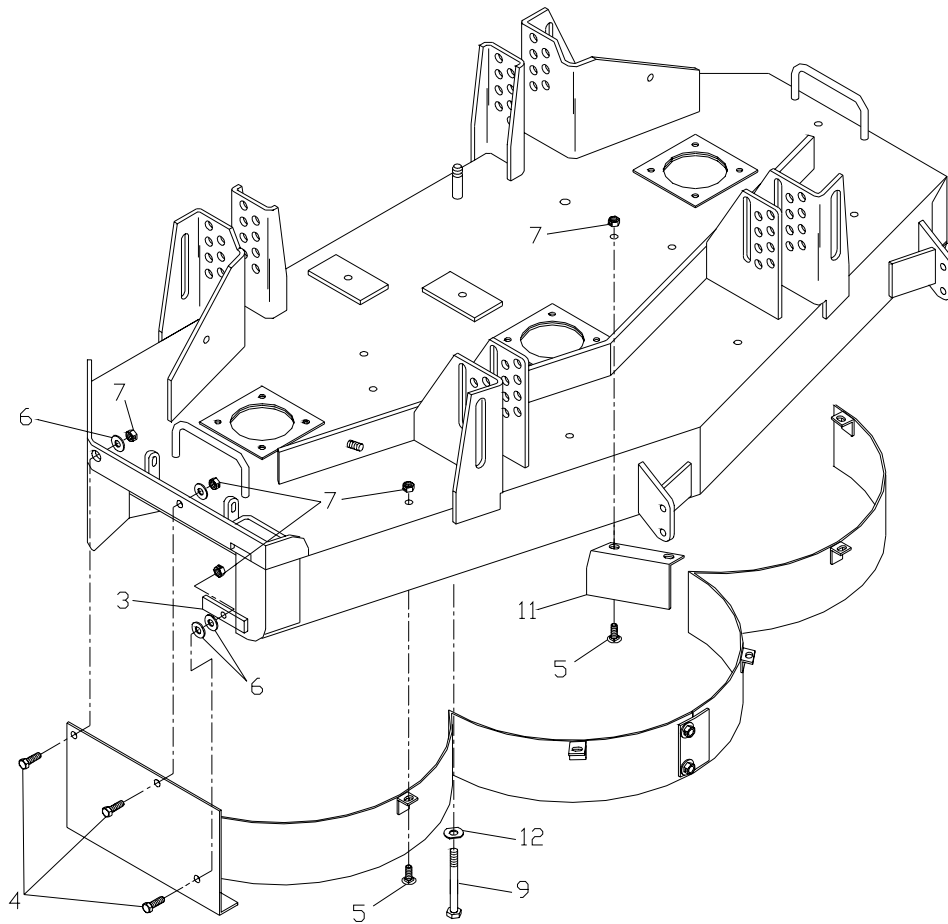


FIGURE 3