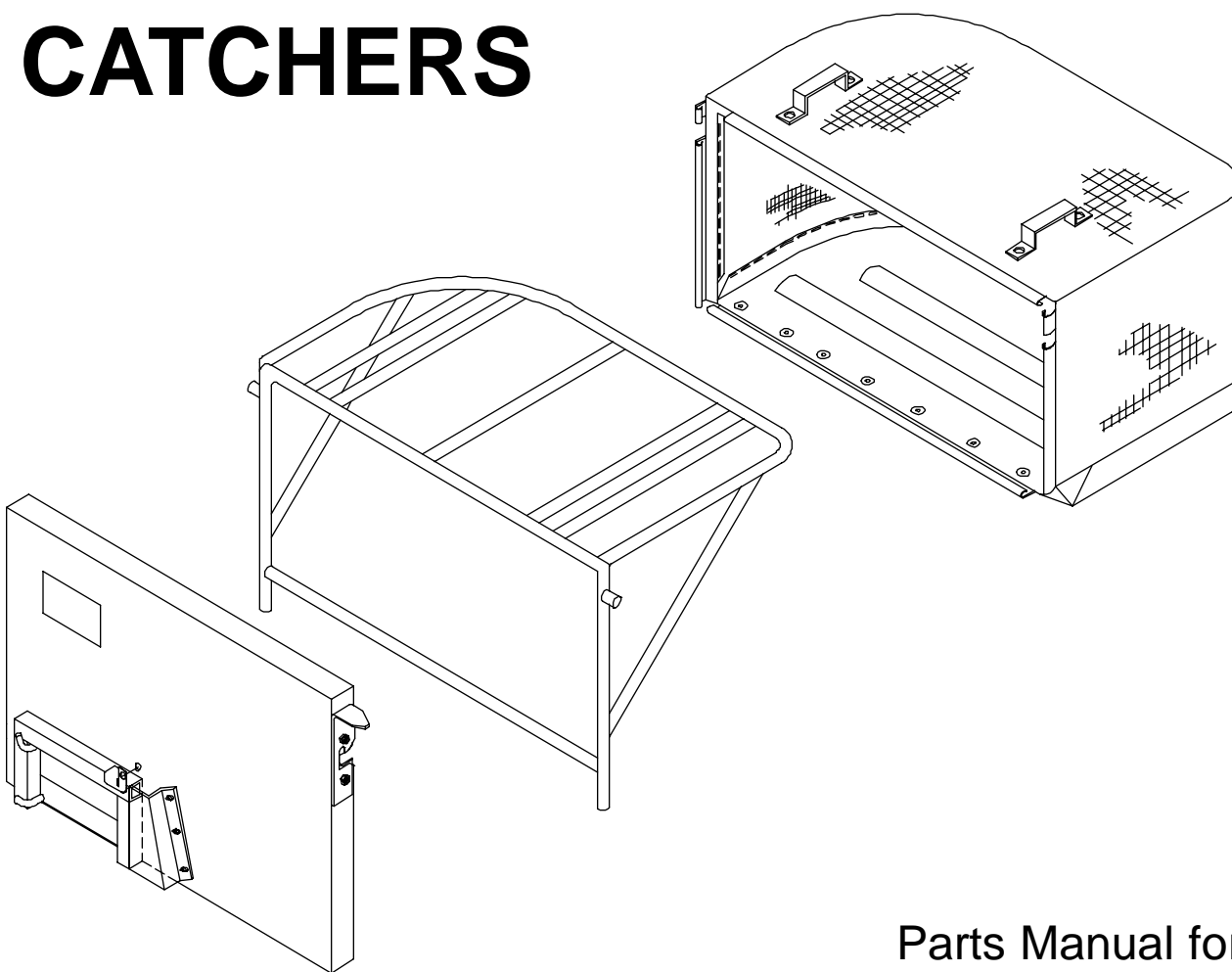




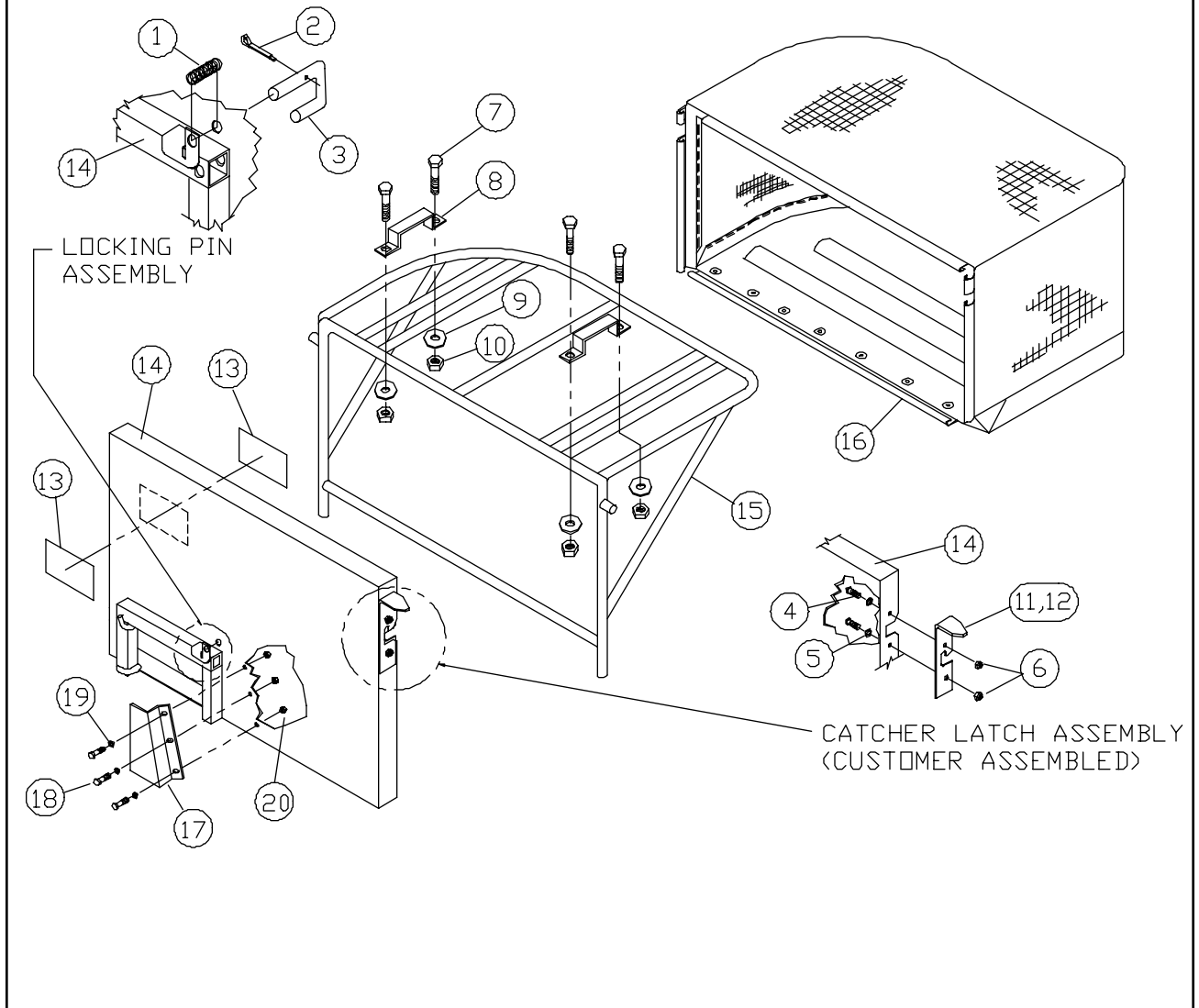
## GRASS & LEAF CATCHERS



Parts Manual for:  
MODEL : 539104727 3 Bu.  
MODEL : 539104728 5 Bu.

**Husqvarna** policy is to improve its products whenever it is possible and practical to do so. In an effort to keep pace with changes in technology, Husqvarna reserves the right to make changes or improvements at any time without incurring any obligation to make such changes on products previously manufactured.

**MODEL 539104727**  
**3 BUSHEL GRASS CATCHER**



PART		
ITEM NO.	QTY.	DESCRIPTION
1	1	539977856 .....1..... Compression Spring
2	1	539100306 .....1..... Locking Pin
3	1	539990555 .....1..... 3/32 x 1/2 Cotter Pin
4	4	539976952 .....4..... 10-24 x 5/8 Panhead Screw
5	4	539976983 .....4..... 1/4 Dia. Spring Washer
6	4	539976977 .....4..... 10-24 Nyloc Nut
7	4	539990548 .....4..... 1/4-20 x 1 HH Capscrew
8	2	539976585 .....2..... Hopper Handle
9	4	539990598 .....4..... 1/4 Flat Washer
10	4	539976978 .....4..... 1/4-20 Nyloc Nut

PART		
ITEM NO.	QTY.	DESCRIPTION
11	1	539976581 .....1..... Catcher Latch, Right
12	1	539976582 .....1..... Catcher Latch, Left
13	2	539976583 .....2..... Warning Decal
14	1	539100309 .....1..... Backplate
15	1	539100334 .....1..... Hopper Frame
16	1	539104545 .....1..... Fabric Bag
17	1	539102193 .....1..... Adapter Shield
18	3	539976934 .....3..... 5/16C X 3/4 HCS
19	3	539990184 .....3..... Washer Flat 5/16
20	3	539990692 .....3..... 5/16C Nut

Order replacement parts by part no. and description.