



SERVICE PARTS LIST

**BULLETIN NO.
54-24-1309**

SPECIFY CATALOG NO. AND SERIAL NO. WHEN ORDERING PARTS		REVISED BULLETIN 54-24-1308	DATE Nov. '96
"D" HANDLE HAMMER DRILL		WIRING INSTRUCTION 58-01-0201	
CATALOG NO.	5398	STARTING SERIAL NO.	556B

EXAMPLE:

00	0
----	---

 Component Parts (Small #) Are Included
 When Ordering The Assembly (Large #).

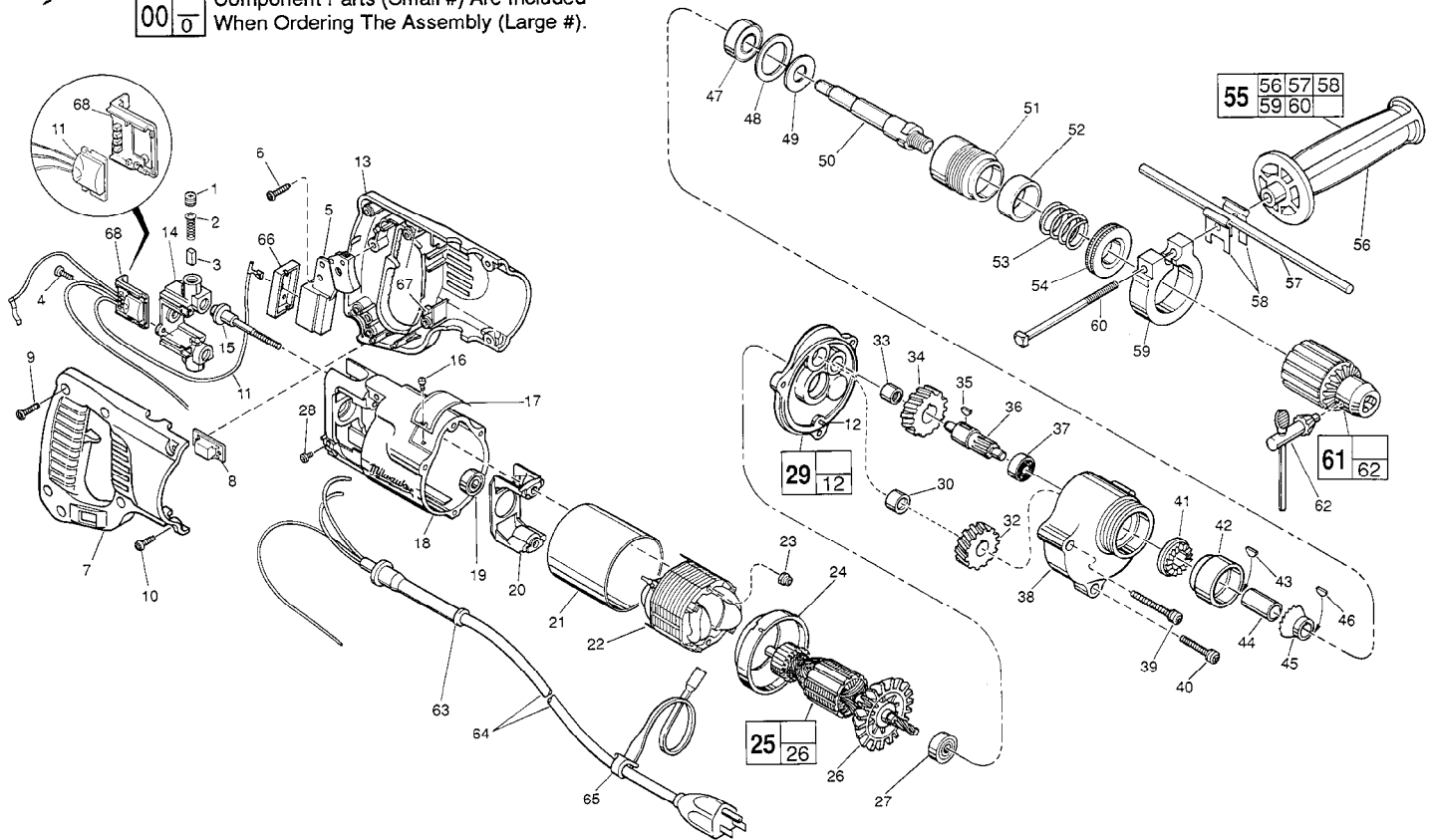


FIG.	PART NO.	DESCRIPTION OF PART	NO.	REQ.
1	23-44-0190	Brush Retaining Screw	(2)	
2	23-52-0160	Brush Spring	(2)	
3	22-16-0275	Carbon Brush	(2)	
4	06-95-0075	6-32x3/8" Truss Hd. Taptite Screw	(2)	
5	23-66-1490	Switch	(1)	
6	06-82-7270	8-16x5/8" Pan Hd. Slit. Plast. T-20	(1)	
7	31-44-1651	R.H. Half "D" Handle	(1)	
8	31-53-0120	Plug	(1)	
9	06-82-7270	8-16x 5/8" Pan Hd. Slit. Plast. T-20	(5)	
10	06-82-5316	8-32x1/2" Taptite T-20	(4)	
★ 11	14-20-3015	Remote Electronic Assembly	(1)	
12	06-65-0825	Groove Pin	(1)	
13	31-44-1656	L.H. Half "D" Handle	(1)	
14	22-22-1380	Brush Holder Assembly	(1)	
15	06-81-1060	Insulated Field Bolt	(2)	
16	06-72-1720	Service Rivet	(1)	
17	12-99-1760	Service Nameplate	(1)	
18	28-50-6220	Motor Housing	(1)	
19	02-04-0845	Ball Bearing	(1)	
20	31-55-0190	Coil Shield	(1)	
21	23-16-0456	Field Insulator	(1)	
22	18-31-0100	120 Volt Field	(1)	
23	06-57-2975	8-32 Flexlock Hex Nut	(2)	
24	31-05-0050	Baffle	(1)	
★ 25	16-30-0226	120 Volt Armature	(1)	
26	22-84-0531	Fan Assembly	(1)	
27	02-04-0911	Ball Bearing	(1)	
28	06-95-5150	Ground Screw	(1)	
29	28-28-0601	Diaphragm	(1)	
30	02-50-2110	Needle Bearing	(1)	
★ 32	32-75-2002	Spindle Gear	(1)	
33	02-50-1640	Needle Bearing	(1)	
★ 34	32-40-1251	Intermediate Gear	(1)	
35	06-42-0800	Woodruff Key	(1)	
★ 36	36-66-2711	Intermediate Shaft	(1)	
★ 37	02-04-0725	Ball Bearing	(1)	
★ 38	28-14-1916	Gear Case	(1)	
★ 39	06-82-5532	8-32 x 2-1/2" Pan Hd. Slit. Taptite T-20	(2)	

FIG.	PART NO.	DESCRIPTION OF PART	NO.	REQ.
★ 40	06-82-5432	8-32 x 1-5/8" Pan Hd. Slit. Taptite T-20	(1)	
41	44-84-0100	Fixed Ratchet	(1)	
42	42-52-0250	Bearing Housing	(1)	
★ 43	06-42-2000	Woodruff Key	(1)	
44	45-36-0890	Spacer	(1)	
45	44-84-0110	Rotating Ratchet	(1)	
46	06-42-0800	Woodruff Key	(1)	
47	02-04-1536	Ball Bearing	(1)	
48	45-88-7350	Bearing Retaining Washer	(1)	
49	45-88-7365	Spring Support Washer	(1)	
★ 50	38-50-5151	Spindle	(1)	
51	45-22-0405	Sleeve	(1)	
52	45-88-7375	Felt Washer	(1)	
53	40-50-4950	Spring	(1)	
54	42-76-0200	Locking Collar	(1)	
55	14-34-0250	Side Handle Assembly	(1)	
56	43-62-0865	Side Handle	(1)	
57	44-94-0161	Depth Gauge Rod	(1)	
58	42-68-0390	Clamp	(2)	
59	25-82-0140	Handle Ring	(1)	
60	42-32-0161	Bolt	(1)	
★ 61	48-66-1360	1/2" Chuck	(1)	
62	48-66-3280	Chuck Key	(1)	
63	44-76-0210	Cord Protector	(1)	
64	22-64-3190	Cord Set	(1)	
65	48-66-4040	Key Holder	(1)	
66	45-12-0470	Dust Shield	(1)	
67	14-46-1001	Foam Slug Kit - (10 Slugs)	(2)	
★ 68	43-72-0176	Heat Sink Holder	(1)	

FIG. LUBRICATION
 38 3-1/4 Oz. Type "E" Grease, No. 49-08-4122.
 45 Place a dab of "U" Grease, No. 49-08-0150, on the face of the rotating ratchet. Face of the ratchet should have a .10" to .20" layer.

MILWAUKEE ELECTRIC TOOL CORPORATION
 13135 W. LISBON RD., BROOKFIELD, WI 53005