

Mounting Instructions for Custom Kit 540 200798

| | | | | | |
|--------------------------|-----------|-----------|------------|------------|------------|
| <i>For Mower Models:</i> | 968999150 | 968999167 | ZKW42170 | ZKWQL48171 | ZKWQL48172 |
| | 968999151 | 968999168 | ZKW48170 | ZKWQL48191 | ZKWQL48192 |
| | 968999152 | 968999169 | ZKWQL48170 | ZKWQL42171 | |
| | 968999157 | 968999170 | ZKWQL48190 | ZKW42172 | |
| | 968999158 | 968999172 | ZKW42171 | ZKWQL42172 | |

FRONT WEIGHT BAR

Parts List

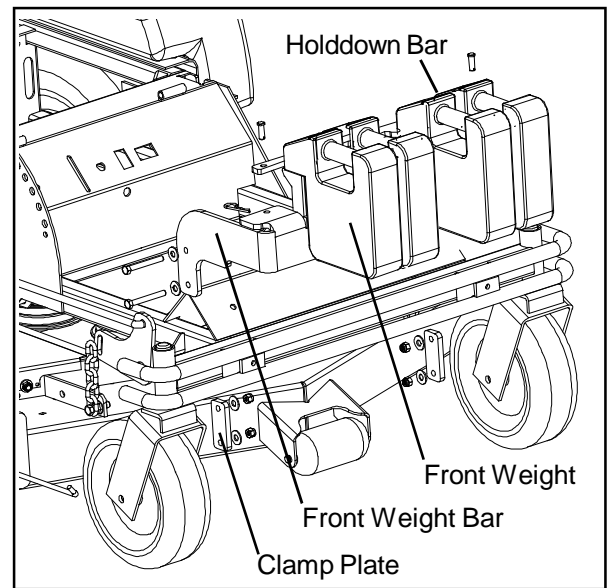
| | | | |
|-----|--------|----------------------|---|
| 540 | 200810 | Front Weight Bar | 1 |
| 540 | 092747 | Clamp Plates | 2 |
| 540 | 092731 | Holddown Bar | 1 |
| 540 | 099065 | 3/8" Nylon Lock Nuts | 4 |
| 540 | 001765 | 3/8" x 3" Hex Bolts | 4 |
| 540 | 000415 | 3/8" Flat Washer | 8 |
| 540 | 099616 | #11 Cotter Pin | 2 |
| 540 | 099668 | 3/8" x 1" Clevis Pin | 2 |

Tools

Ratchet with 9/16" Socket
9/16" Wrench

Mounting Instructions

- Remove mower front weight from underneath foot plate.
- Slide Front Weight Bar over mower frame.
- Position Clamp Plates inside mower frame so that the holes align with the holes in the Front Weight Bar.
- Secure Front Weight Bar to mower frame with four (4) 3/8" x 3" hex bolts, eight (8) 3/8" flat washers, and four (4) 3/8" nylon lock nuts.
- Place all Front Weights on Front Weight Bar.
- Place Holddown Bar over Front Weights and secure to Front Weight Bar using two (2) 3/8" x 1" clevis pins and two (2) #11 cotter pins.



Mounting Instructions for Custom Kit 540 200798

HITCH

Parts List

| | | |
|------------|-------------------------|---|
| 540 200809 | Hitch | 1 |
| 540 099020 | 3/8" x 1-1/4" Hex Bolts | 2 |
| 540 000415 | 3/8" Flat Washers | 4 |
| 540 099065 | 3/8" Nylon Lock Nuts | 2 |
| 540 099031 | 1/2" x 1-1/4" Hex Bolts | 4 |
| 540 000427 | 1/2" Flat Washers | 8 |
| 540 093082 | 1/2" Nylon Lock Nuts | 4 |

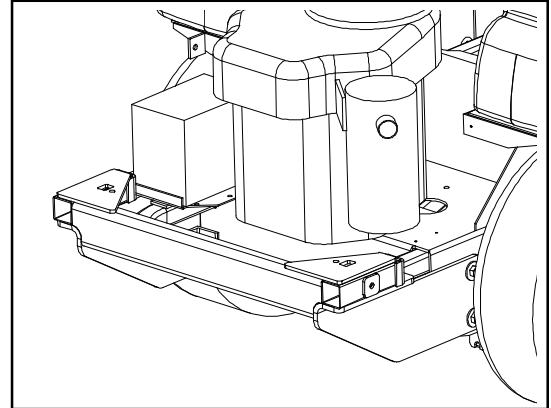


Figure 3

Tools

- | | |
|------------------------------------------|----------------------|
| - Drill with 1/8", 13/32", & 17/32" bits | - Combination Square |
| - Ratchet with 9/16" & 3/4" Socket | - Center Punch |
| - 9/16" & 3/4" Wrench | - Marking Scribe |

- Remove rear bumper of mower. Raise/hold rear of mower and remove wheels.
- Using combination square and scribe, mark hole centers in back plate of mower frame as shown in Figures 4 & 5. Use center punch to locate hole center. Hole centers are in same location on both sides.
- Drill 1/8" pilot hole in locations marked. Redrill pilot holes on sides of mower frame with 17/32" drill bit. Redrill pilot holes on rear of mower frame with 13/32" drill bit.
- Position Hitch to mower frame as shown in Figure 6 by aligning the holes in the Hitch to the holes drilled in the previous step. Enlarge holes in mower frame if needed to insert bolts. Attach Hitch to mower frame using two (2) 3/8" x 1-1/4" hex bolts, four (4) 3/8" flat washers, two (2) 3/8" nylon lock nuts, four (4) 1/2" x 1-1/4" hex bolts, eight (8) 1/2" flat washers, and four (4) 1/2" nylon lock nuts.
- Ensure all hardware is tight and replace wheels. See Figure 3 for assembled view.

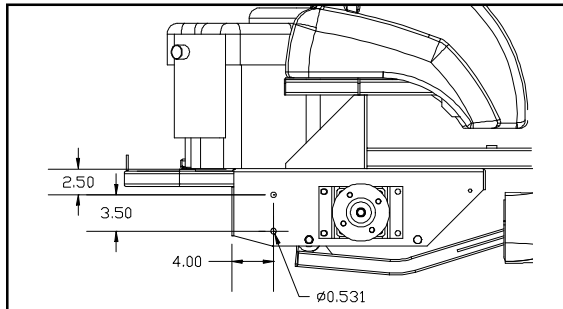


Figure 4

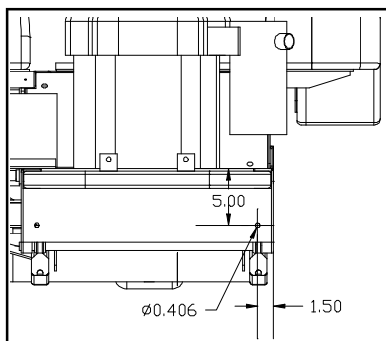


Figure 5

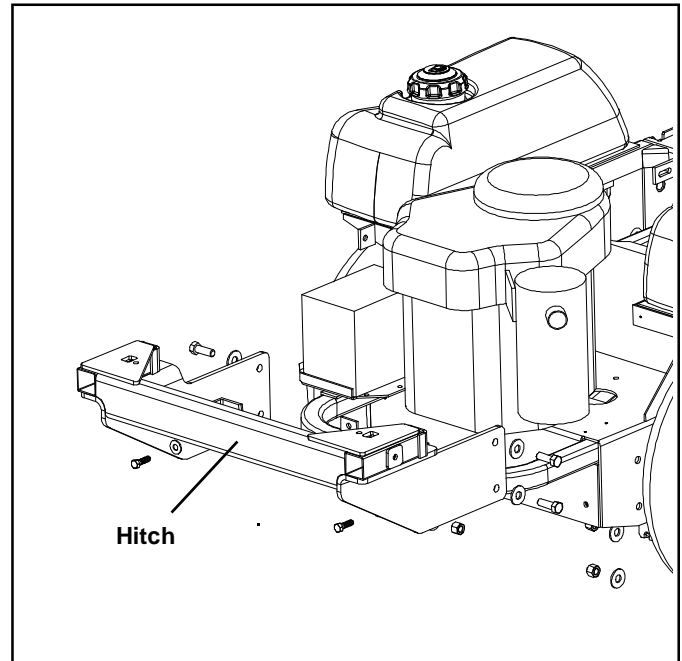


Figure 6