



SERVICE PARTS LIST

BULLETIN NO.
54-24-5440

SPECIFY CATALOG NO. AND SERIAL NO. WHEN ORDERING PARTS		REVISED BULLETIN	DATE
14 lb. (6,4 kg) SDS-MAX DEMOLITION HAMMER			Sept. 2014
CATALOG NO. 5446-21	STARTING SERIAL NO. B39A	WIRING INSTRUCTION 58-01-5400	

EXAMPLE:
Component Parts (Small #) Are Included
When Ordering The Assembly (Large #).

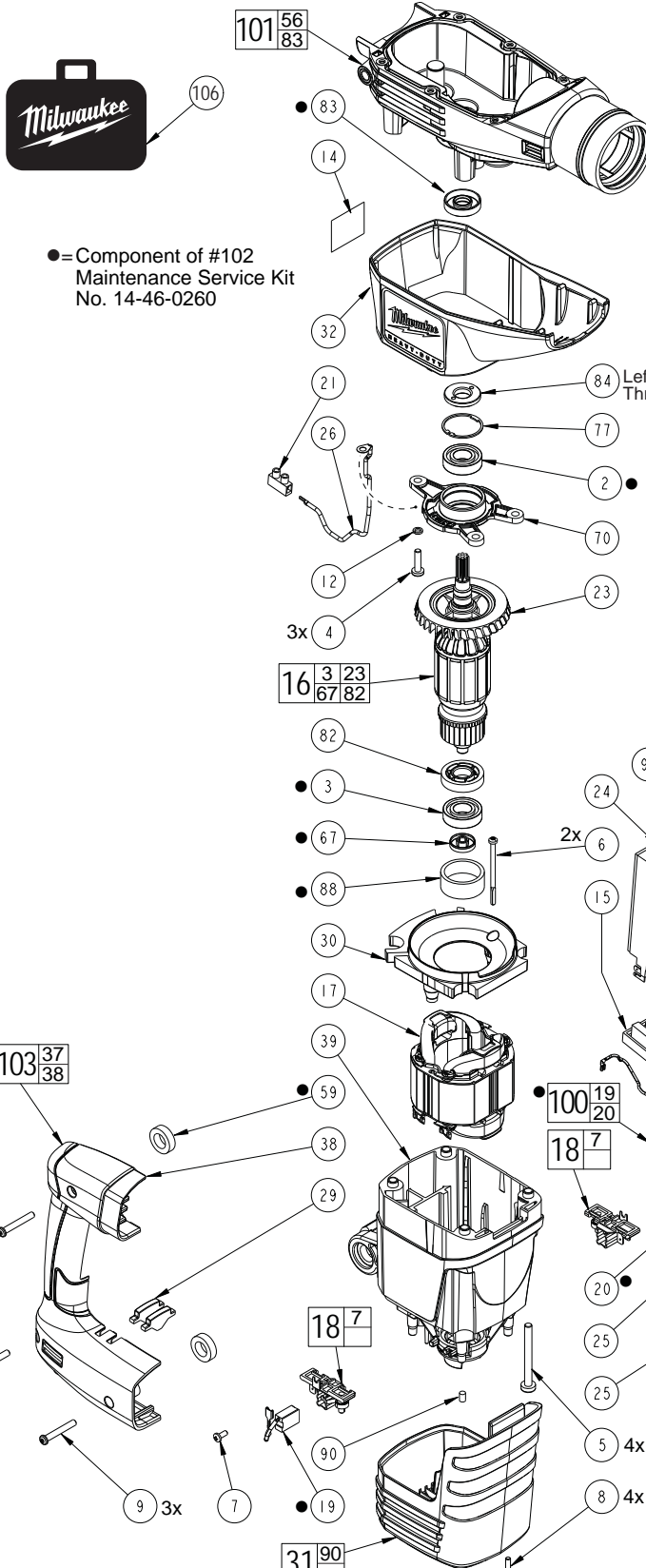


FIG.	PART NO.	DESCRIPTION OF PART	NO. REQ.
2	02-04-0140	● Ball Bearing	(1)
3	02-04-0150	● Ball Bearing	(1)
4	05-74-0060	M5 x 20 Taptite T-25 Screw	(3)
5	05-74-0070	M6 x 60 Taptite T-30 Screw	(4)
6	05-74-0240	M4 x 64 Plastite T-20 Screw	(2)
7	05-74-0250	M9 x 9.5 T-15 Screw	(4)
8	05-74-0270	H-K4 x 22 T-15 Screw	(4)
9	05-74-0280	M5 x 35 T-20 Screw	(3)
12	05-90-0190	M5 Spring Washer	(1)
14	12-20-5400	Service Nameplate Kit	(1)
15	14-20-0340	PC Board	(1)
16	16-50-0120	Service Armature Assembly	(1)
17	18-50-0120	Service Field Assembly	(1)
18	22-20-0050	Brush Holder Assembly	(2)
19	-----	● Carbon Brush Assembly	(1)
20	-----	● Carbon Brush Assembly (2 wire)	(1)
21	22-56-0010	Terminal Block	(1)
22	22-64-0880	Power Cord	(1)
23	22-84-0010	Fan	(1)
24	23-66-0033	Switch	(1)
25	23-94-0110	Wire Harness	(2)
26	23-94-0430	Grounding Wire Harness	(1)
27	23-94-0018	Jumper Wire (See Bulletin 58-01-5400)	(1)
29	31-01-0090	Light Pipe	(2)
30	31-05-0140	Fan Baffle	(1)
31	31-12-0070	Motor Cap	(1)
32	31-12-0260	Shroud	(1)
35	31-17-0290	Cord Clamp	(1)
37	-----	Handle Halve-Left	(1)
38	-----	Handle Halve-Right	(1)
39	31-50-0100	Motor Housing	(1)

**SEE PAGE 3 FOR
LUBRICATION AND
SERVICE NOTES**

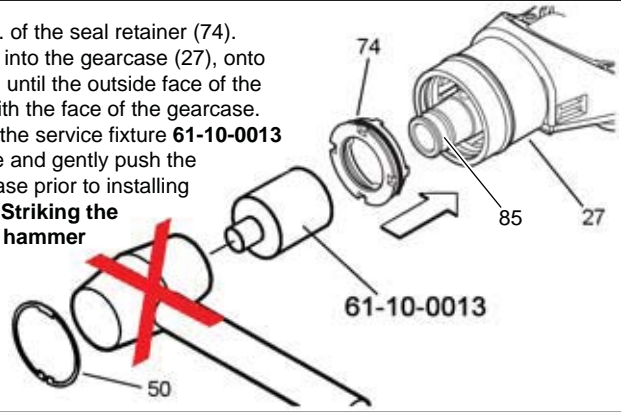
102	2	3	19	20	33	43	45	47	48	49	58	59	62	97
	65	67	73	74	76	80	83	88	90	91	95	96	98	100

FIG.	PART NO.	DESCRIPTION OF PART	NO. REQ.
59	42-42-0031	● Bushing	(4)
67	44-26-0090	● Magnetic Disc	(1)
70	44-66-0220	Bearing End Plate	(1)
73	44-76-0320	● Cord Protector	(1)
77	44-90-0080	Internal Retaining Ring	(1)
82	45-06-0020	Dust Seal	(1)
83	45-06-0030	● Armature Seal	(1)
84	45-06-0120	Seal Ring-Left Hand Thread	(1)
88	45-22-0110	● Rubber Sleeve	(1)
90	45-30-0055	● Rubber Plug	(1)
92	45-72-0020	Trigger	(1)
100	14-46-0275	● Brush Service Kit	(1)
101	14-46-0355	Gearcase Service Kit	(1)
102	14-46-0290	Maintenance Service Kit	(1)
103	14-46-0215	Handle Service Kit	(1)
106	42-55-0190	Accessory Carrying Case	(1)

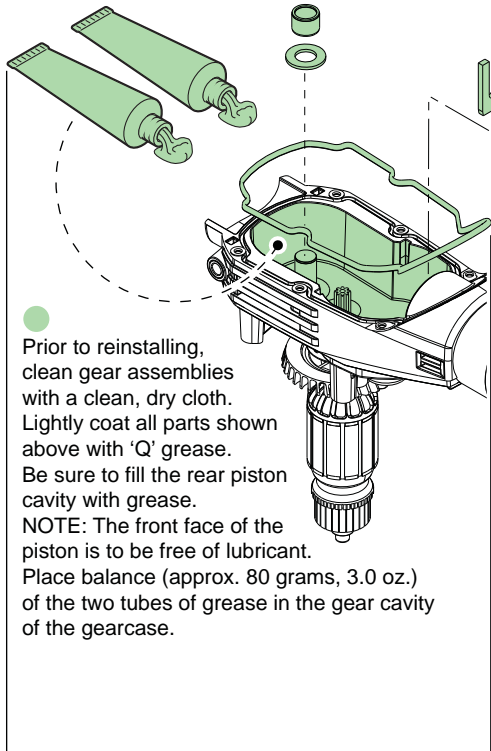
LUBRICATION

No. 49-08-4255 Type 'Q' Grease
45gm (1.5 oz) Tube - 3 tubes needed

Lightly grease the O.D. of the seal retainer (74).
Insert the seal retainer into the gearcase (27), onto the spindle sleeve (85) until the outside face of the seal retainer is flush with the face of the gearcase.
Place the open end of the service fixture **61-10-0013** over the spindle sleeve and gently push the retainer into the gearcase prior to installing the retaining ring (50). **Striking the service fixture with a hammer is not recommended, doing so may cause the seal retainer to wedge in the gearcase.**



80 g / (3.0 oz.)

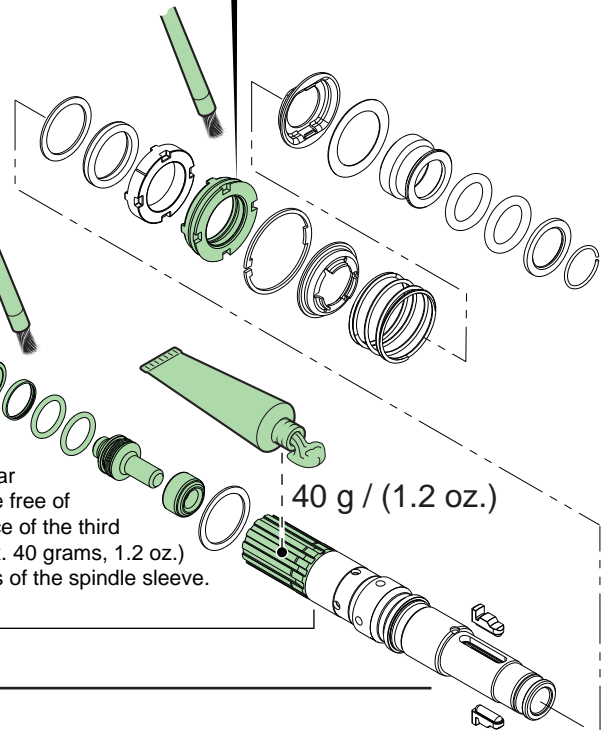


Prior to reinstalling, clean gear assemblies with a clean, dry cloth. Lightly coat all parts shown above with 'Q' grease. Be sure to fill the rear piston cavity with grease.
NOTE: The front face of the piston is to be free of lubricant. Place balance (approx. 80 grams, 3.0 oz.) of the two tubes of grease in the gear cavity of the gearcase.

No lubricant on rear face

Prior to reinstalling, lightly coat all parts shown above with 'Q' grease. **NOTE:** The rear face of the ram is to be free of lubricant. Place balance of the third tube of grease (approx. 40 grams, 1.2 oz.) liberally around splines of the spindle sleeve.

40 g / (1.2 oz.)



● **14-46-0290 MAINTENANCE SERVICE KIT**

THIS KIT CONTAINS:

- 1 02-04-0140 Ball Bearing
- 1 02-04-0150 Ball Bearing
- 1 31-12-0420 Rubber Cap
- 1 34-40-0020 O-Ring
- 3 34-40-0170 O-Ring
- 1 34-60-0040 Core Lifter Ring
- 1 34-60-0090 Internal Snap Ring
- 1 34-60-0110 Internal Snap Ring
- 1 42-38-0410 Dampening Bumper
- 4 42-42-0031 Bushing
- 1 43-44-0120 Gearcase Gasket
- 2 43-96-0010 Interlock
- 1 44-26-0090 Magnetic Disc
- 1 44-76-0320 Cord Protector
- 1 44-86-0020 Seal Retainer
- 1 ----- Retaining Ring Key
- 2 44-90-0510 Seal
- 1 45-06-0030 Armature Seal
- 1 45-22-0110 Rubber Sleeve
- 1 45-30-0055 Rubber Plug
- 1 45-56-0010 Striker
- 1 45-88-1120 Washer
- 1 45-88-1490 Washer
- 1 45-88-1550 Washer (5426-21 Only)
- 1 45-88-1570 Stop Washer
- 1 14-46-0275 Brush Svc. Kit (Incl. 19 & 20)
- 3 49-08-4255 'Q' Grease (45g/1.5 oz. tube)

14-46-0275 BRUSH SERVICE KIT

THIS KIT CONTAINS:

- 1 ----- Carbon Brush Assembly
- 1 ----- Carbon Brush Assembly (Two Wire)

FASTENER TORQUE SPECIFICATIONS (FT./LBS.)

FIG. NO.	SEATING TORQUE	
	MINIMUM	MAXIMUM
2	4.43	
4	3.30	
5	4.43	
6	0.96	
7	1.25	
8		
9	1.25	
10	3.30	
11	3.30	
81	1.25	