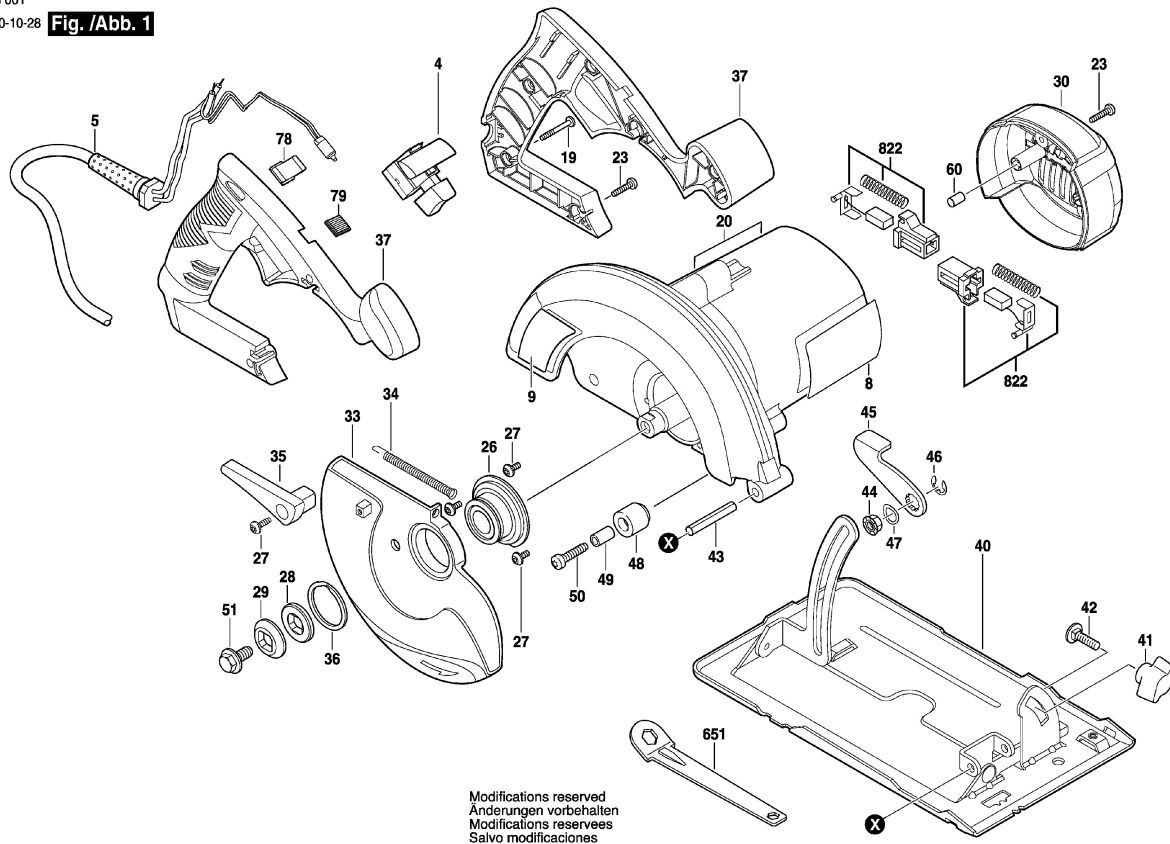


F012 548 001  
Issue | 10-10-28  
Stand | **Fig. /Abb. 1**



Modifications reserved  
Änderungen vorbehalten  
Modifications reserves  
Salvo modificaciones

Date: 2/1/2011

Page: 1 / 1

Item	Pc	Order No.	Description	Item	Pc	Order No.	Description
4	1	1 619 X00 641	Mains switch	48	1	1 619 X00 681	Stopper
5	1	1 619 X06 054	Power supply cord	49	1	1 619 X00 682	Spacer
8	1	1 619 X05 338	Nameplate	50	1	1 619 X00 683	Screw
9	1	1 619 X00 644	Manufacturer's Nameplate	51	1	1 619 X00 935	Hex Screw
19	2	1 619 X01 012	Screw	60	2	1 619 X01 409	Holding Pin
20	1	1 619 X04 900	Warning Label	78	1	1 619 X05 925	reflector
23	6	1 619 X01 011	Screw	79	1	1 619 X01 835	lens
26	1	1 619 X00 657	Bearing Plate	651	1	1 619 X00 685	Box Wrench
27	4	1 619 X01 786	Contact Screw	822	1	1 619 X02 851	Carbon-Brush Set
28	1	1 619 X00 659	Washer				
29	1	1 619 X00 660	Washer				
30	1	1 619 X01 098	Housing Cover				
33	1	1 619 X03 951	Pivoting Blade Guard				
34	1	1 619 X04 824	Extension Spring				
35	1	1 619 X04 655	Lever				
36	1	1 619 X00 667	Retaining snap ring				
37	1	1 619 X05 552	Set Of Handles				
40	1	1 619 X01 008	Base Plate				
41	1	2 610 917 567	Knob				
42	1	1 619 X00 674	Bolt				
43	1	1 619 X00 676	Roller Pin				
44	1	1 619 X00 677	Nut				
45	1	1 619 X00 678	Depth-Gauge				
46	1	2 610 923 854	Clip				
47	1	1 619 X01 014	Spring Washer				