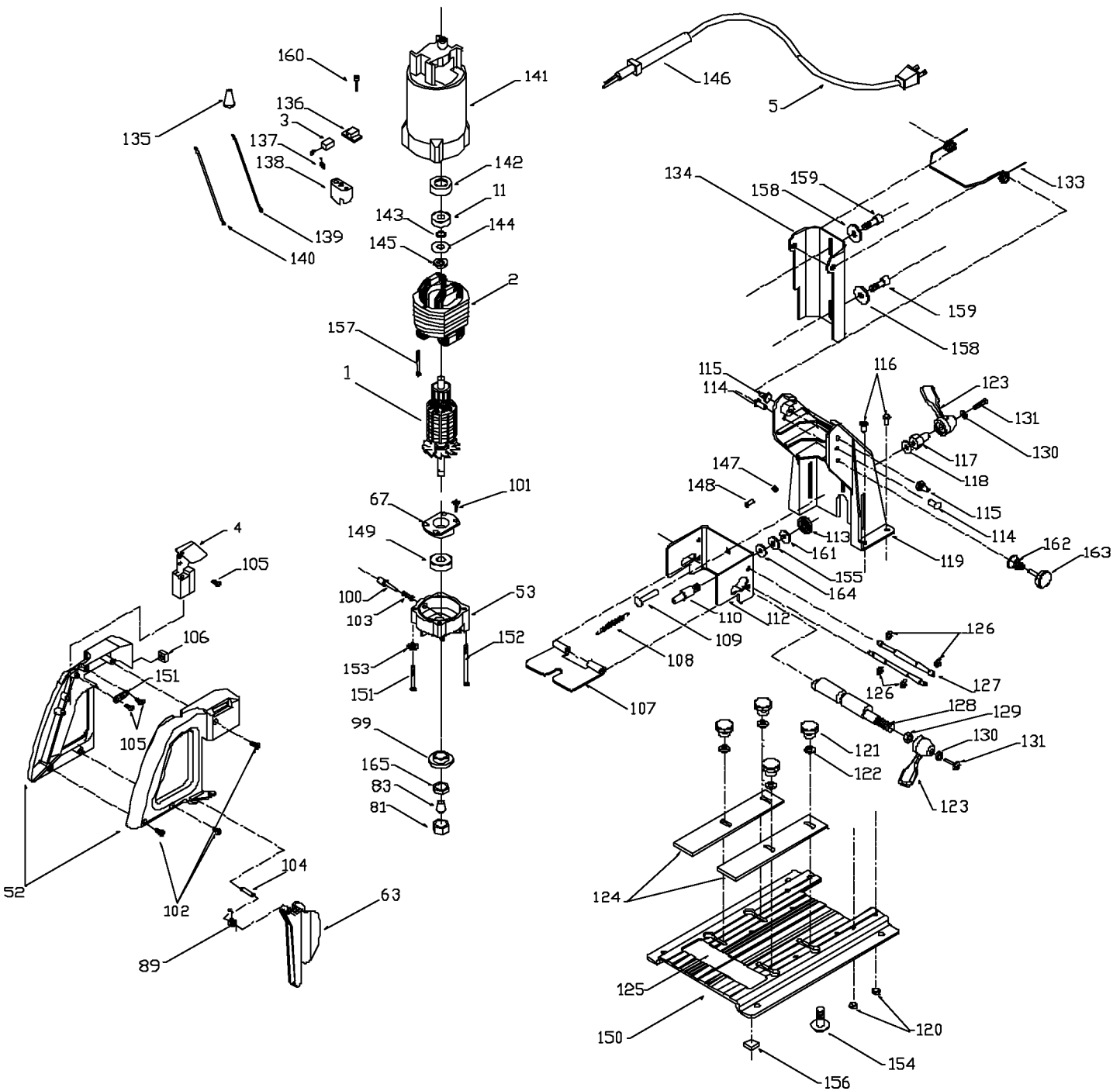


PORTER-CABLE POCKET CUTTER®

WARNING: Electrical repairs should only be attempted by trained repairmen. Contact the nearest Porter-Cable Service Center or other competent repair center.

550



Parts List for 550 Type 1

| Item Number | Part Number | Description | Qty Required |
|-------------|-------------|---------------------|--------------|
| 1 | 901706 | FAN | 1 |
| 1 | 901706 | FAN | 1 |
| 1 | 872862 | ARMATURE | 1 |
| 2 | 891117 | FIELD | 1 |
| 3 | 690741 | BRUSH | 2 |
| 4 | 877252 | SWITCH | 1 |
| 4 | 694010 | SCREW | 10 |
| 5 | 330072-97 | CORD/10 FT/18-2 | 1 |
| 11 | 855284 | BEARING | 1 |
| 52 | 875594 | HANDLE SET | 1 |
| 53 | 873678 | FRONT HOUSING | 1 |
| 63 | 875612 | GUARD | 1 |
| 67 | 874537 | GUIDE RETAINER | 1 |
| 81 | 691257 | NUT COLLET | 1 |
| 83 | 684718 | COLLET | 1 |
| 89 | 875607 | SPRING | 1 |
| 99 | 849826 | RETAINER | 1 |
| 100 | 698708 | SPINDLE LOCK | 1 |
| 101 | 803157 | SCREW | 10 |
| 102 | 879678 | SCREW | 10 |
| 103 | 698709 | SPRING | 1 |
| 104 | 877251 | DOWEL PIN | 1 |
| 105 | 882185 | SCREW MACHINE STEEL | 1 |
| 106 | 000000-00 | No Longer Available | 4 |
| 107 | 876956 | CLAMP PLATE | 1 |
| 108 | 875611 | SPRING | 1 |
| 109 | 876716 | CARRIAGE BOLT | 1 |

Parts List for 550 Type 1

| Item Number | Part Number | Description | Qty Required |
|-------------|--------------|---------------------|--------------|
| 110 | 875603 | DRILL BUSHING | 1 |
| 111 | 854805 | SCREW | 10 |
| 112 | 000000-00 | No Longer Available | 1 |
| 113 | 877272 | NUT | 4 |
| 114 | 876642 | PIN | 2 |
| 115 | 875615 | SHOULDER BOLT | 4 |
| 116 | 875601 | SCREW | 10 |
| 117 | 876698 | HEX ADAPTOR | 1 |
| 118 | 877254 | WASHER | 4 |
| 119 | 875618 | COLUMN | 1 |
| 120 | 875606 | NUT & LOCKWASHER | 2 |
| 121 | 400080600005 | KIT | 2 |
| 122 | 801530 | WASHER | 10 |
| 123 | 877883 | LEVER | 1 |
| 124 | 877948 | FENCE | 2 |
| 125 | 876601 | INDEX LABEL | 1 |
| 126 | 697965 | RET RING | 4 |
| 127 | 875598 | GUIDE PIN | 1 |
| 128 | 875597 | ECCENTRIC SHAFT | 1 |
| 129 | 875597 | ECCENTRIC SHAFT | 4 |
| 130 | 802417 | WASHER | 10 |
| 131 | 872242 | SCREW | 10 |
| 132 | 861434 | CORD CLAMP | 1 |
| 133 | 876528 | SPRING | 2 |
| 134 | 876957 | MOTOR MOUNT | 1 |
| 135 | 682063 | CONNECTOR VS | 2 |
| 136 | 690742 | BRUSH HOLDER | 2 |

Parts List for 550 Type 1

| Item Number | Part Number | Description | Qty Required |
|-------------|-------------|-------------------|--------------|
| 137 | 868775 | BRUSH SPRING | 2 |
| 138 | 690740 | BRUSH HOLDER BASE | 2 |
| 139 | 876695 | WHITE LEAD | 1 |
| 140 | 876626 | BLACK LEAD | 1 |
| 141 | 887284 | MOTOR HSG. | 1 |
| 142 | 694432 | BEARING MOUNT | 1 |
| 143 | 849328 | SPACER | 2 |
| 144 | 695893 | WASHER | 10 |
| 145 | 698394 | INSULATING TUBE | 1 |
| 146 | 810716 | RELIEVER | 1 |
| 147 | 869687 | NUT | 10 |
| 148 | 883485 | SCREW | 10 |
| 149 | 874538 | BALL BEARING | 1 |
| 150 | 875613 | BASE | 1 |
| 151 | 694015 | SCREW | 10 |
| 152 | 876651 | SCREW | 10 |
| 153 | 872534 | WASHER | 10 |
| 154 | 876716 | CARRIAGE BOLT | 4 |
| 155 | 866795 | SPACER | 10 |
| 156 | 876759 | FOAM PAD | 4 |
| 157 | 695185 | FIELD SCREW | 4 |
| 158 | 801530 | WASHER | 10 |
| 159 | 875601 | SCREW | 10 |
| 160 | 854805 | SCREW | 10 |
| 161 | 850802 | WASHER | 10 |
| 162 | 877563 | SPRING | 4 |
| 163 | 879306 | KNOB KIT | 2 |

Parts List for 550 Type 1

| Item Number | Part Number | Description | Qty Required |
|-------------|-------------|----------------------|--------------|
| 164 | 802425 | WASHER | 10 |
| 165 | 877659 | JAM-NUT | 4 |
| 856 | 842323 | WRENCH HOLDER | 1 |
| 856 | 000000-00 | No Longer Available | 1 |
| 856 | 43115PC | SINGLE FLUTE PLUNGE | 1 |
| 856 | 5504 | EXT LONG SQ DRIVE BT | 1 |
| 856 | 683875 | WRENCH OPEN END | 1 |
| 856 | 876689 | GAUGE | 1 |
| 856 | 802876 | ALLEN WRENCH | 1 |
| 856 | 683875 | WRENCH OPEN END | 1 |