



Pneumatic Rivet Buster

#550610, JCT-2610

#550611, JCT-2611

#550612, JCT-2612



JCT-2611 shown

Operation & Parts Manual

M-550610

Edition 1

07/2016



| |
|-----------------|
| Stock No.: |
| Serial No.: |
| Purchased from: |
| Date purchased: |

JET

427 New Sanford Road

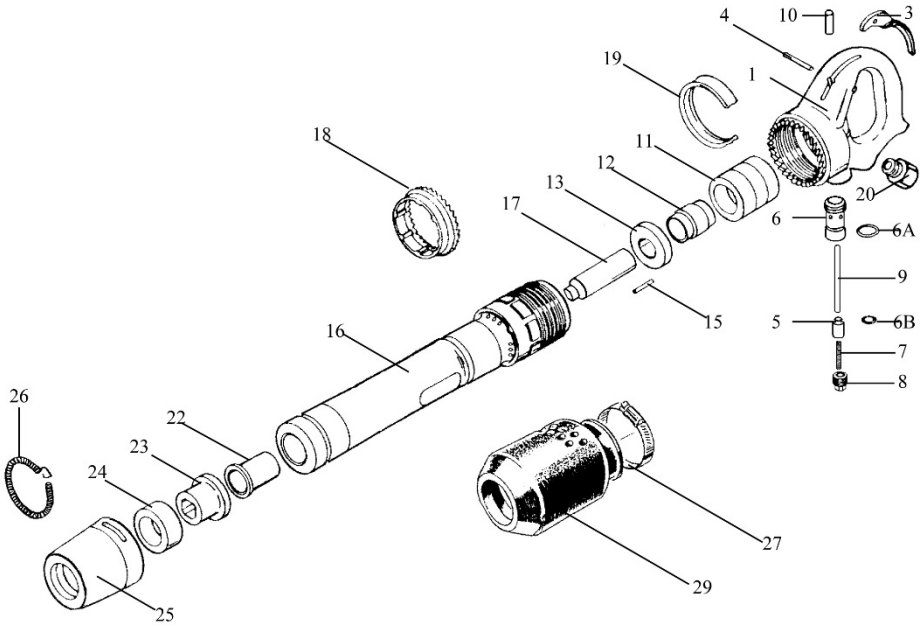
LaVergne, TN 37086

Ph.: 800-274-6848

www.jettools.com

Copyright © 2016 JET

#550610, JCT-2610 Rivet Buster 11in. – exploded view



#550610, JCT-2610 Rivet Buster 11in. – parts list

| Index | Part No. | Description | Qty |
|-------|-------------|-------------------------|-----|
| 1 | JCT2610-01 | Handle | 1 |
| | JCT2610-HA | Handle assembly (#1-10) | 1 |
| 3 | JCT2610-03 | Throttle lever | 1 |
| 4 | JCT2610-04 | Throttle lever pin | 1 |
| 5 | JCT2610-05 | Throttle valve | 1 |
| 6 | JCT2610-06 | Throttle valve bushing | 1 |
| 6A | JCT2610-06A | Throttle bushing O-ring | 1 |
| 6B | JCT2610-06B | Throttle valve O-ring | 1 |
| 7 | JCT2610-07 | Throttle valve spring | 1 |
| 8 | JCT2610-08 | Throttle valve plug | 1 |
| 9 | JCT2610-09 | Throttle valve pin | 1 |
| 10 | JCT2610-10 | Valve pin bushing | 1 |
| | JCT2610-VA | Valve assembly (#11-15) | 1 |
| 11 | JCT2610-11 | Valve case | 1 |
| 12 | JCT2610-12 | Valve | 1 |

| Index | Part No. | Description | Qty |
|-------|------------|-----------------------------|-----|
| 13 | JCT2610-13 | Valve cover front | 1 |
| 15 | JCT2610-15 | Valve dowel pin | 1 |
| 16 | JCT2610-16 | Cylinder 6in. | 1 |
| 17 | JCT2610-17 | Piston | 1 |
| 18 | JCT2610-18 | Clutch ring | 1 |
| 19 | JCT2610-19 | Clutch band | 1 |
| 20 | JCT2610-20 | Air inlet bushing 1/2in.NPT | 1 |
| 22 | JCT2610-22 | Upper sleeve | 1 |
| 23 | JCT2610-23 | Lower sleeve | 1 |
| 24 | JCT2610-24 | Urethane bumper | 1 |
| 25 | JCT2610-25 | Retainer | 1 |
| 26 | JCT2610-26 | Retainer spring | 1 |
| 27 | JCT2610-27 | Screw clamp | 1 |
| 29 | JCT2610-29 | Exhaust deflector | 1 |