



# Pneumatic Paving Breaker

#550660, JCT-4660

#550661, JCT-4661



## Operation & Parts Manual

M-550660

Edition 3

11/2018

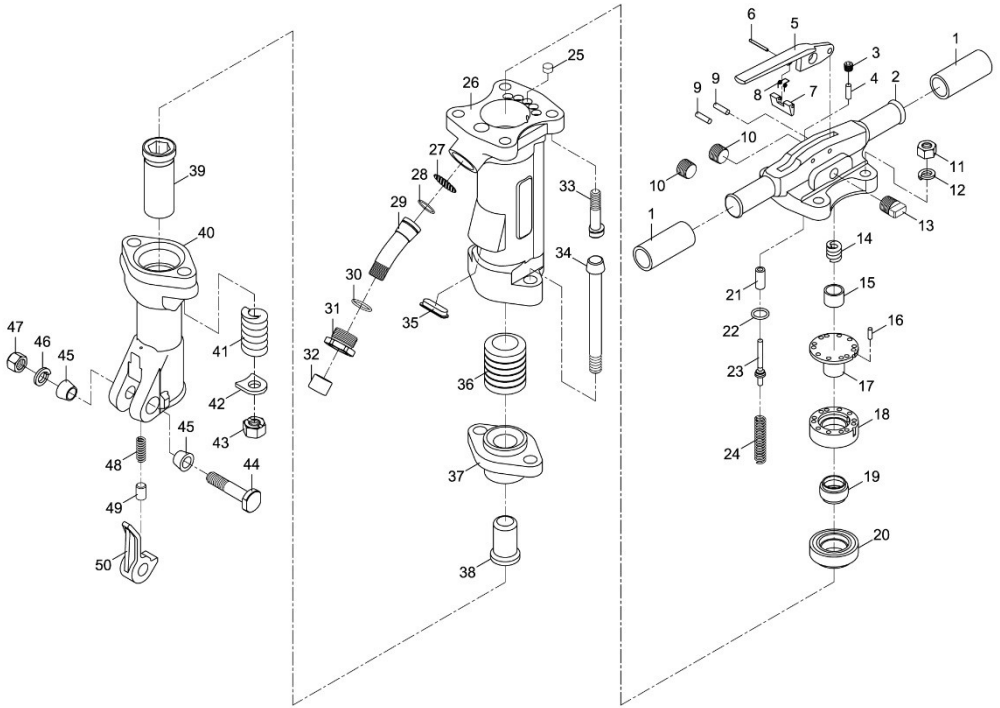


Stock No.:
Serial No.:
Purchased from:
Date purchased:

**JET**  
427 New Sanford Road  
LaVergne, TN 37086  
Ph.: 800-274-6848  
[www.jettools.com](http://www.jettools.com)

Copyright © 2017 JET

# #550661, JCT-4661 Paving Breaker (90 lb.)



## #550661, JCT-4661 Paving Breaker (90 lb.)

Index	Part No.	Description	Qty
1	P91213	Rubber grip	2
2	JCT4661-02	Back head	1
3	P91220	Oil control plug 1/8PT	1
4	P91245	Felt oiler Ø8.5x25L	1
5	P91217	Throttle lever	1
6	P91250	Spring pin 4x40L	1
7	P91251	Stop lever	1
8	P91252	Stop lever spring	1
9	P91218	Throttle lever pin Ø8x30L	2
10	P91248	Oil tank plug 1/2PT	2
11	P91225	Back head bolt nut	4
12	P91224	Lock washer 5/8in.	4
13	P91219	Oil Plug	1
14	P91210	Plunger spring	1
15	P91209	Plunger	1
16	P91208	Valve chest dowel pin Ø1/4x20L	1
17	P91207	Valve guide	1
18	P91205	Valve chest	1
19	P91204	Automatic valve	1
20	P91206	Valve seat	1
21	P91215	Throttle valve stem guide	1
22	P91212	O-ring 21.7x3.5mm	1
23	P91214	Throttle valve	1
24	P91216	Throttle valve spring	1
25	P91202	Cylinder plug	5
26	JCT4661-26	Cylinder	1

Index	Part No.	Description	Qty
27	P91238	Air inlet screen	1
28	P91222	Air inlet swivel o-ring 28.5x2mm	1
29	P91235	Air inlet swivel	1
30	P91237	O-ring 29.4x3.1mm	1
31	P91236	Air inlet swivel nut	1
32	P91246	Rubber cap	1
33	P91223	Back head bolt	4
34	P91239	Front head bolt	2
35	P91244	Rubber plug	1
36	P91203	Piston hammer	1
37	JCT4661-37	Tappet seat	1
38	P91227	Tappet	1
39	P61143	Front head bushing	1
40	JCT4661-40	Front head	1
41	P91242	Front head bolt spring	2
42	P91241	Front head bolt lock washer	2
43	P91240	Front head bolt nut	2
44	P91229	Steel retainer bolt	1
45	P91232	Steel retainer bolt bushing	2
46	P91231	Lock washer 3/4in.	1
47	P91230	Steel retainer bolt nut, 3/4-16UNF	1
48	P91234	Steel retainer spring	1
49	P91233	Steel retainer plunger	1
50	P91228	Steel retainer	1

JCT4660-RPK, Repair Kit, contains #21,22,23,24

JCT4661-RBK, Rebuild Kit, contains #14,15,16,17,19,36