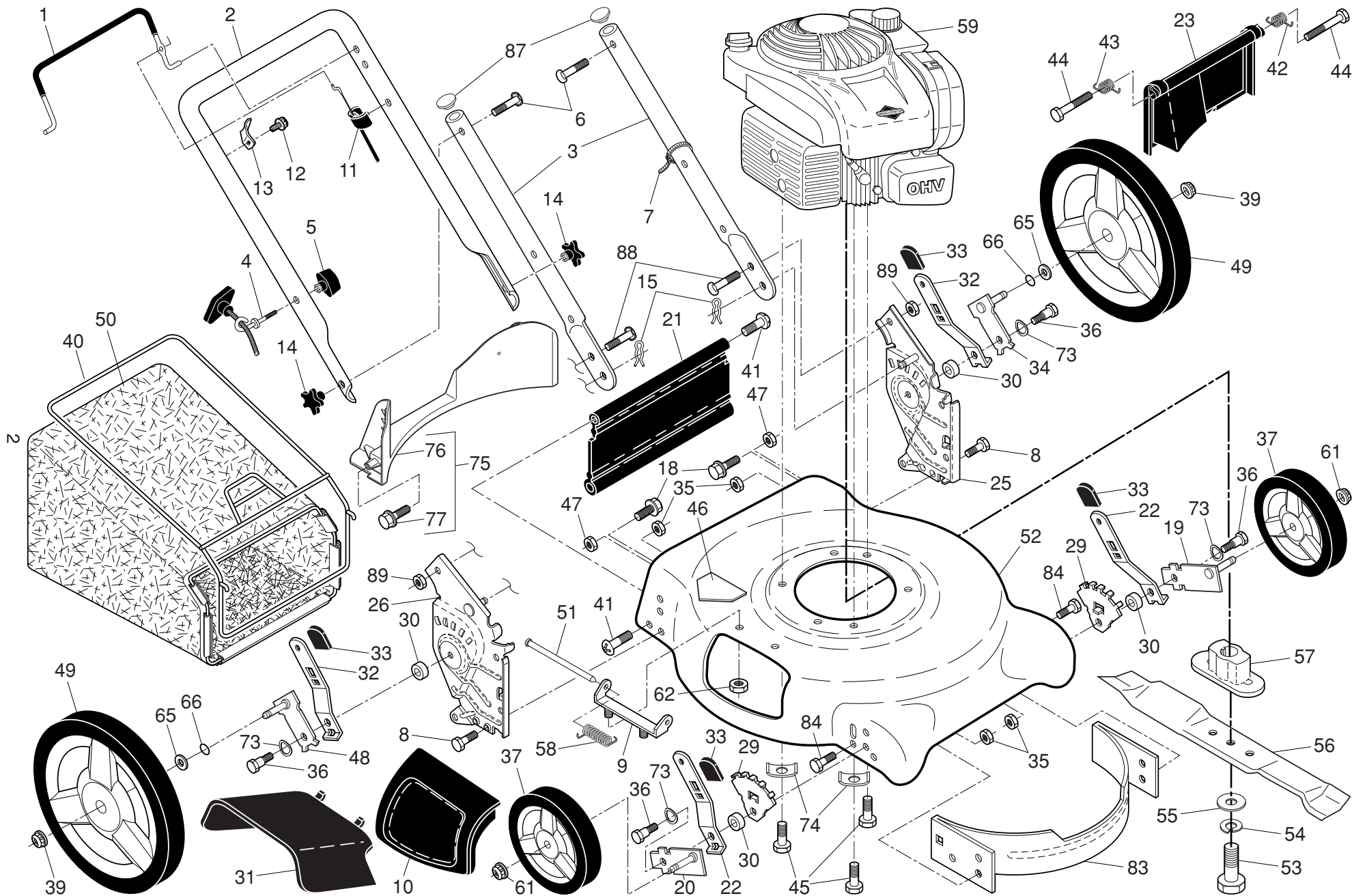


# HUSQVARNA ROTARY LAWN MOWER - - MODEL NUMBER 5521P (MFG. ID. NO. 96133001801)



# HUSQVARNA ROTARY LAWN MOWER - - MODEL NUMBER **5521P** (MFG. ID. NO. 96133001801)

| KEY NO. | PART NO.            | DESCRIPTION                            | KEY NO. | PART NO.            | DESCRIPTION   |
|---------|---------------------|--|---------|---------------------|---|
| 1       | 581 49 74-02        | Control Bar, Molded                    | 43      | 532 40 54-23        | Spring, RH  |
| 2       | 532 42 79-71        | Upper Handle                           | 44      | 532 18 41-93        | Bolt, Rear Door   |
| 3       | 580 63 86-03        | Bar, Lower Handle                      | 45      | 532 15 04-06        | Hex Head Thread Rolling Screw 3/8-16 x 1  |
| 4       | <b>581 90 21-01</b> | Rope Guide                             | 46      | 532 40 47-63        | Danger Decal  |
| 5       | <b>581 91 26-01</b> | T-Knob                                 | 47      | 532 75 11-53        | Nut, Hex  |
| 6       | 532 19 15-74        | Handle Bolt                            | 48      | 532 41 06-01        | Axle Arm Assy., Rear, RH  |
| 7       | 532 06 64-26        | Wire Tie                               | 49      | 580 33 46-01        | Wheel & Tire Assembly, Rear 12 x 1-3/4  |
| 8       | 874 78 05-12        | Bolt, Hex Head 5/16-18 x 3/4           | 50      | 581 00 21-02        | Grassbag  |
| 9       | 532 15 41-32        | Hinge Bracket                          | 51      | 532 14 72-86        | Hinge Rod   |
| 10      | 581 82 58-01        | Mulcher Door                           | 52      | 532 44 19-50        | Kit, Housing (Includes Key Number 46)   |
| 11      | 532 40 80-47        | Engine Zone Control Cable              | 53      | 532 85 10-84        | Screw, Hex Head, Grade 8<br>3/8-24 x 1-3/8                                      |
| 12      | 532 17 88-48        | Screw, Hex Washer Head #10-16 x 5/8    | 54      | 532 85 02-63        | Helical Lockwasher  |
| 13      | 532 43 00-34        | Up-Stop Bracket                        | 55      | 532 85 10-74        | Hardened Washer   |
| 14      | 532 18 23-98        | Handle Knob                            | 56      | 532 40 67-12        | 21" Blade   |
| 15      | 532 05 17-93        | Hairpin Cotter                         | 57      | 581 54 79-01        | Blade Adapter   |
| 18      | 817 60 04-06        | Screw                                  | 58      | 532 15 21-24        | Hinge Spring  |
| 19      | 532 40 66-89        | Axle Arm Assembly, Front, LH           | 59      | - - -               | Engine, Briggs & Stratton, Model Number<br>9P702-0010-F1 (order parts from B&S) |
| 20      | 532 40 66-90        | Axle Arm Assembly, Front, RH           | 61      | 532 40 91-48        | Flanged Locknut   |
| 21      | 532 41 86-55        | Kit, Rear Skirt                        | 62      | 873 80 04-00        | Nut, Hex  |
| 22      | 532 40 64-28        | Selector Spring, Front                 | 65      | 532 08 83-48        | Washer, Flat  |
| 23      | 581 42 56-01        | Rear Door Assembly                     | 66      | 532 19 74-80        | O-Ring  |
| 25      | 580 91 56-03        | Handle Bracket, LH                     | 73      | 532 40 16-30        | Washer, Curved, Cylindrical   |
| 26      | 580 91 57-03        | Handle Bracket, RH                     | 74      | 532 12 50-78        | Washer, Special, Engine   |
| 29      | 532 41 05-94        | Wheel Adjusting Bracket, Front         | 75      | 532 41 36-93        | Kit, Rear Baffle<br>(Includes 3 Screws)   |
| 30      | 532 40 16-29        | Spacer                                 | 76      | 532 41 05-89        | Baffle, Rear  |
| 31      | 532 18 55-95        | Discharge Deflector                    | 77      | 817 41 13-12        | Screw, Rear Baffle  |
| 32      | <b>532 44 15-59</b> | Selector Spring, Rear                  | 83      | 532 42 85-01        | Baffle, Front   |
| 33      | 532 70 10-37        | Selector Knob                          | 84      | 817 00 05-10        | Screw, Hex Head 5/8-16  |
| 34      | 532 41 06-00        | Axle Arm Assy., Rear, LH               | 87      | 532 43 75-16        | Plug, Handle Bar  |
| 35      | 532 42 65-89        | Locknut, Hex 5/16-18                   | 88      | 872 25 05-05        | Bolt, Carriage  |
| 36      | 532 40 16-38        | Shoulder Bolt 5/16-18                  | 89      | 873 97 05-00        | Nut, Hex  |
| 37      | 532 41 31-83        | Wheel & Tire Assembly, Front 8 x 1-3/4 | --      | 532 40 47-64        | Warning Decal (not shown)   |
| 39      | 532 40 91-49        | Nut, Hex                               | --      | <b>115 63 08-96</b> | Operator's Manual, English / Spanish  |
| 40      | 532 41 19-49        | Frame, Grassbag                        |         |                     |   |
| 41      | 532 19 41-86        | Screw, Hinge                           |         |                     |   |
| 42      | 532 40 54-21        | Spring, LH                             |         |                     |   |

**NOTE:** All component dimensions given in U.S. inches. 1 inch = 25.4 mm

**IMPORTANT:** Use only Original Equipment Manufacturer (O.E.M.) replacement parts. Failure to do so could be hazardous, damage your lawn mower and void your warranty.