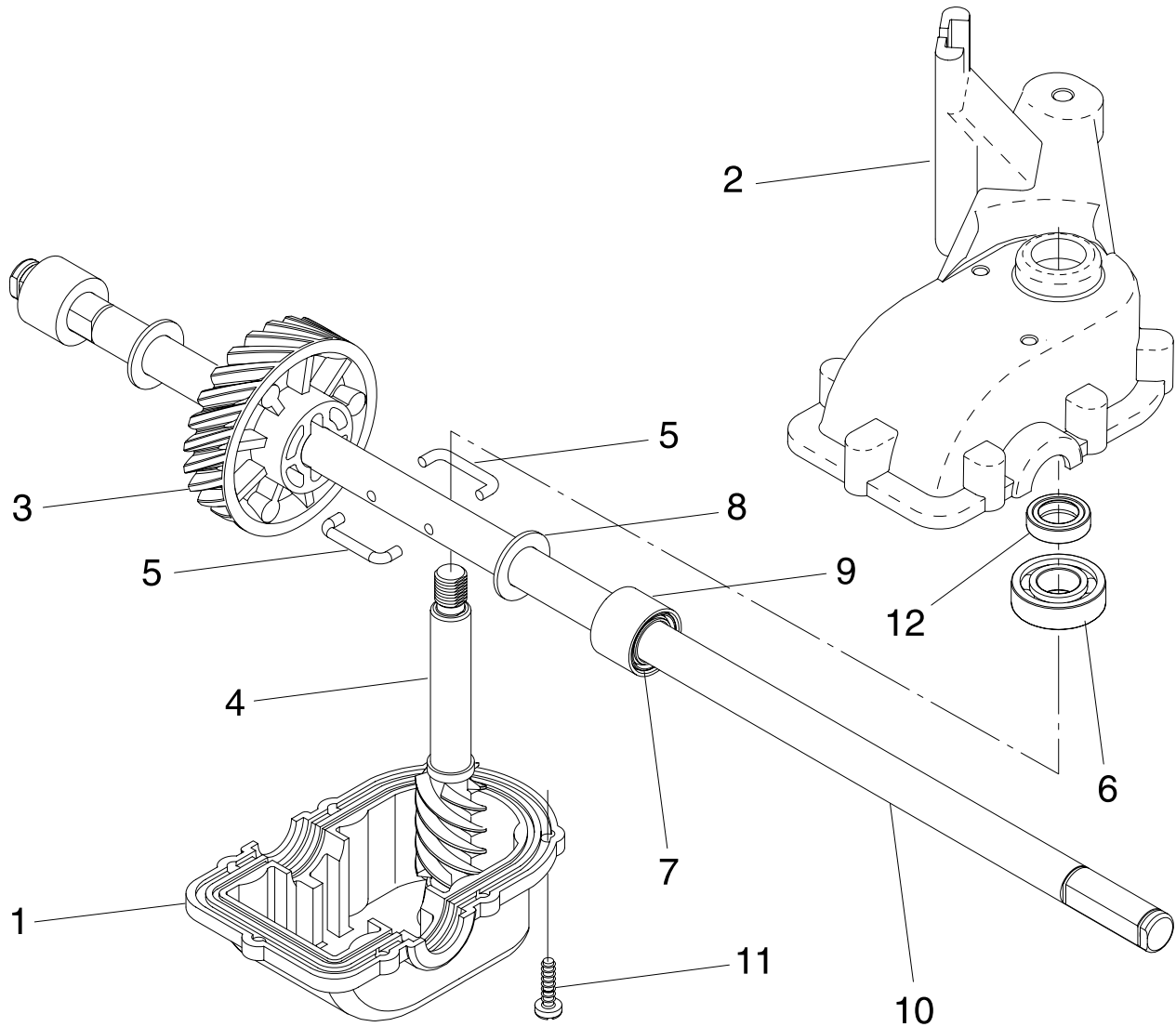


ROTARY LAWN MOWER
MODEL NUMBER 5521RS (96143000201) - PRODUCT NUMBER 961 43 00-02
GEAR CASE ASSEMBLY - PART NUMBER 532 18 86-45

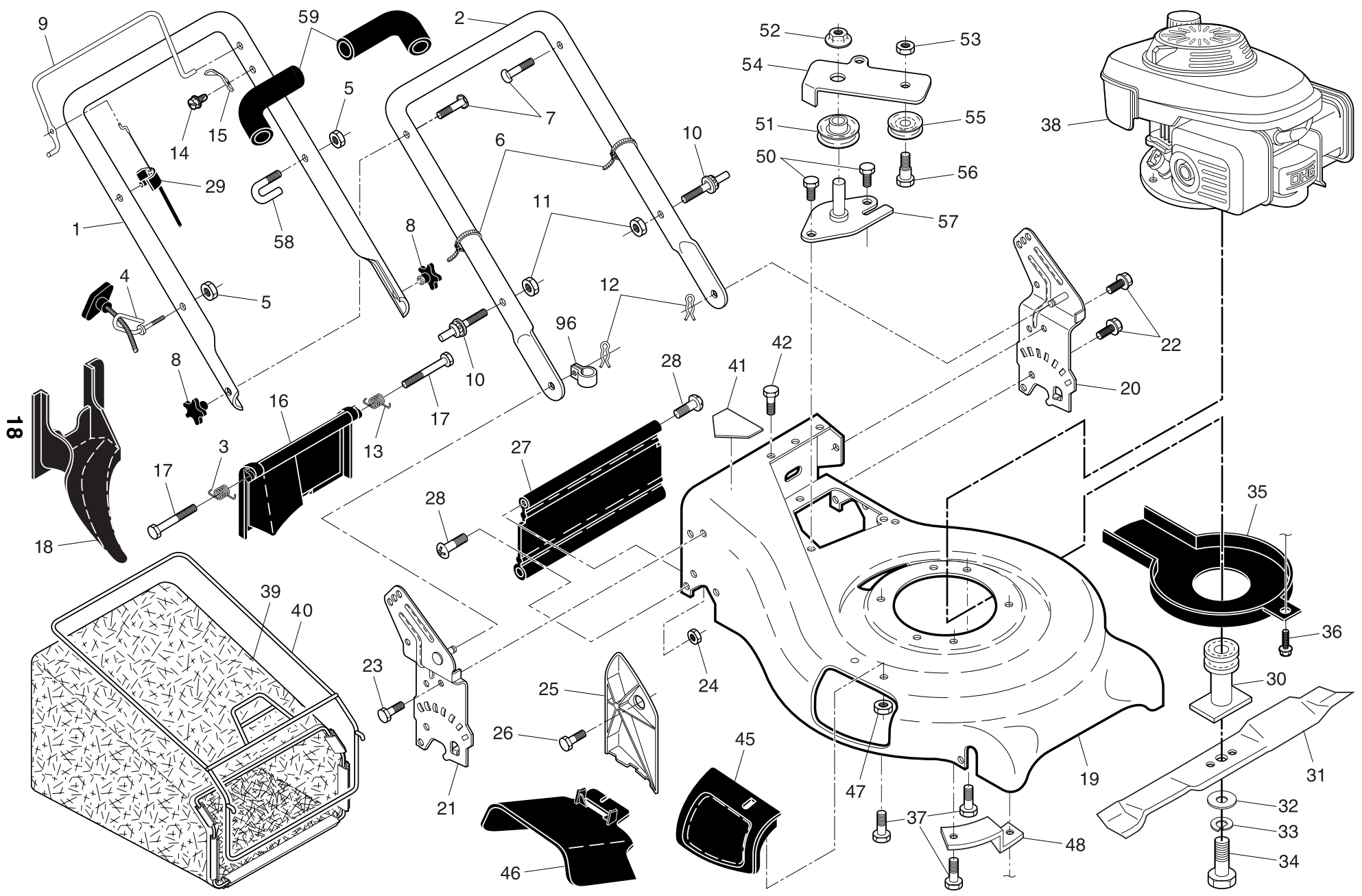


KEY NO.	PART NO.	DESCRIPTION
1	532 18 75-30	Case, Lower
2	532 18 75-31	Case, Upper
3	532 18 75-32	Gear, 24 Teeth
4	532 18 75-33	Shaft, Input
5	532 19 12-49	Wire, Formed
6	532 18 35-06	Bearing, Ball
7	532 18 35-08	Seal, Output Shaft
8	532 18 35-09	Washer
9	532 18 35-11	Bushing
10	532 19 09-48	Shaft, Output
11	532 18 35-13	Screw
12	532 18 35-14	Seal, Input Shaft
--	532 75 03-69	Grease, Texaco Starplex Premium 1 (Do not substitute) (1.4 ounce capacity)

NOTE: All component dimensions given in U.S. inches.
1 inch = 25.4 mm

IMPORTANT: Use only Original Equipment Manufacturer (O.E.M.) replacement parts.
Failure to do so could be hazardous, damage your lawn mower and void your warranty.

ROTARY LAWN MOWER - - MODEL NUMBER 5521RS (9614300201) - PRODUCT NUMBER 961 43 00-02



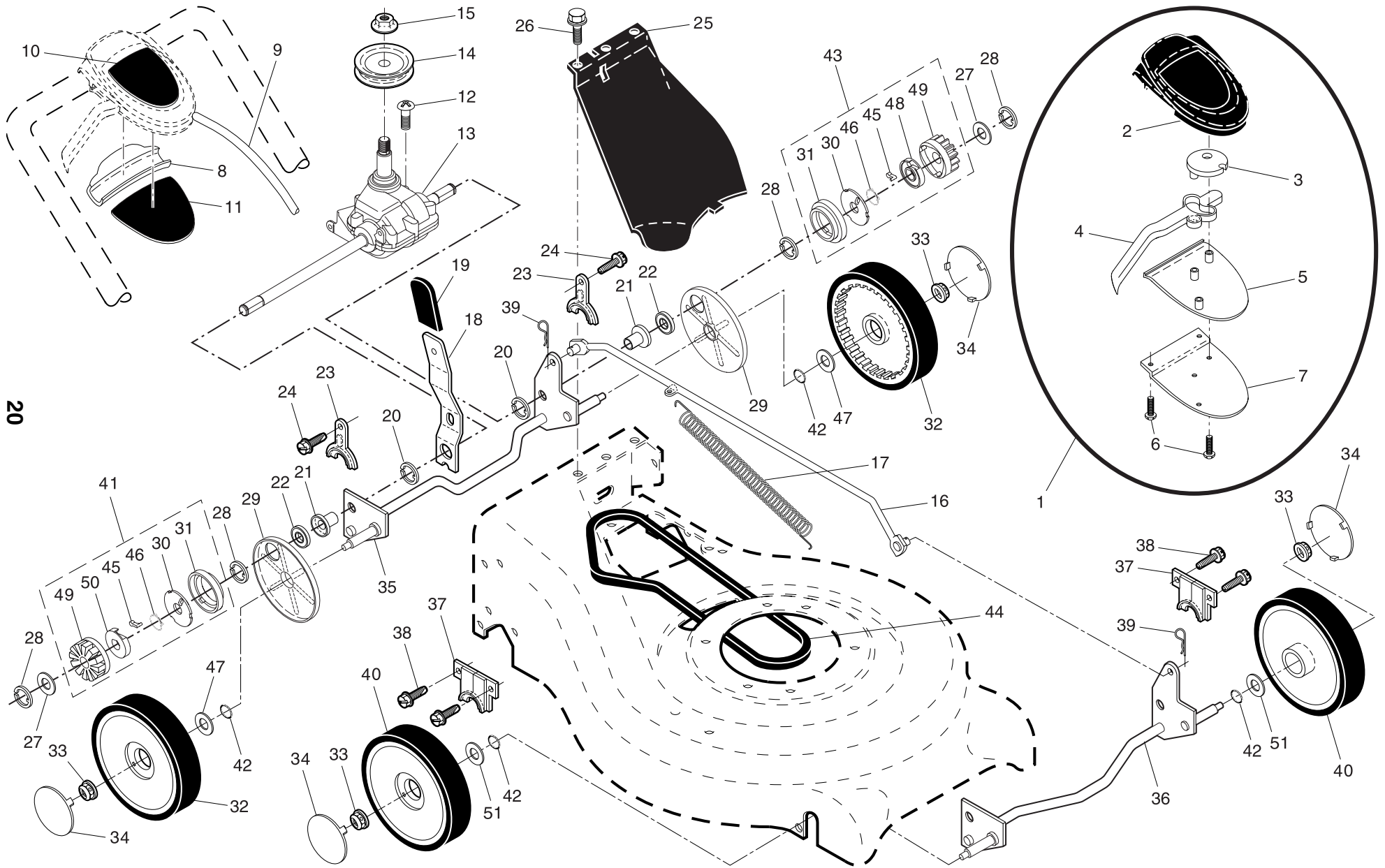
ROTARY LAWN MOWER - - MODEL NUMBER **5521RS** (96143000201) - PRODUCT NUMBER 961 43 00-02

KEY NO.	PART NO.	DESCRIPTION	KEY NO.	PART NO.	DESCRIPTION
1	532 18 97-40	Handle, Upper (Includes Foam Grip)	31	532 18 90-28	Blade, 21"
2	532 19 60-05	Handle, Lower	32	532 85 10-74	Washer, Hardened
3	532 18 60-53	Spring, Rear Door, RH	33	532 85 02-63	Lockwasher, Helical Spring 3/8
4	532 17 95-85	Guide, Rope, Side	34	532 85 10-84	Screw, Hex Head 3/8-24 x 1.38
5	532 13 20-04	Nut, Hex Lockwasher Insert 1/4-20	35	532 18 87-86	Debris Shield
6	532 06 64-26	Wire, Tie	36	532 19 23-25	Screw
7	532 19 15-74	Bolt, Handle 5/16-18 x 1.75	37	532 15 04-06	Bolt, Engine
8	532 18 55-88	Knob, Handle	38	- - -	Engine, Honda, Model Number GCV160 (For engine service and replacement parts, call Honda at 1-800-426-7701)
9	532 19 06-20	Bail, Flat, Auto-Walk, Orange			
10	532 18 88-21	Bolt, Carriage			
11	873 93 05-00	Nut, Hex, Centerlock 5/16-18 UNC	39	532 19 45-40	Grassbag
12	532 05 17-93	Cotter, Hairpin	40	532 18 88-17	Frame, Grassbag
13	532 18 60-52	Spring, Rear Door, LH	41	532 10 73-39	Danger Decal
14	532 75 06-34	Screw	42	532 05 45-83	Screw
15	532 12 51-62	Bracket, Upstop	45	532 19 05-10	Mulcher Door Assembly
16	532 19 05-74	Rear Door Assembly	46	532 19 05-12	Deflector, Discharge
17	532 18 41-93	Bolt, Rear Door	47	532 08 83-49	Nut, Hex
18	532 18 75-35	Plug, Mulcher	48	532 19 09-39	Mounting Bracket, Debris Shield
19	532 18 56-01	Kit, Housing	50	532 05 78-08	Screw
20	532 19 40-29	Handle Bracket Assembly, LH	51	532 18 45-43	Pulley Assembly, V-Groove
21	532 19 40-31	Handle Bracket Assembly, RH	52	532 14 52-12	Flange Nut
22	532 15 00-78	Screw, Hex Washer Head	53	532 15 55-52	Locknut
23	532 16 31-83	Bolt, Hex Head 5/16-18 x 5/8	54	532 18 58-98	Idler Arm
24	873 80 05-00	Nut, Hex, with Lock Washer Insert 5/16-18	55	532 16 60-43	Idler Pulley
25	532 16 13-33	Baffle, Side	56	532 16 08-29	Shoulder Bolt
26	532 16 34-09	Screw 12 x 5/8	57	532 18 58-99	Bracket Assembly
27	532 18 89-86	Skirt, Rear	58	532 18 20-03	Clip
28	532 08 86-52	Screw, Hinge 1/4-20 x 1.25	59	532 18 27-48	Grip, Handle, Foam, Smooth
29	532 18 35-67	Engine Zone Control Cable	96	532 19 27-70	Clip, Cable
30	532 18 91-79	Blade Adapter / Pulley	- -	532 16 23-00	Warning Decal (not shown)
			- -	532 19 61-41	Owner's Manual, English / French

NOTE: All component dimensions given in U.S. inches. 1 inch = 25.4 mm

IMPORTANT: Use only Original Equipment Manufacturer (O.E.M.) replacement parts. Failure to do so could be hazardous, damage your lawn mower and void your warranty.

ROTARY LAWN MOWER -- MODEL NUMBER **5521RS** (9614300201) - PRODUCT NUMBER 961 43 00-02



ROTARY LAWN MOWER - - MODEL NUMBER **5521RS** (96143000201) - PRODUCT NUMBER 961 43 00-02

KEY NO.	PART NO.	DESCRIPTION	KEY NO.	PART NO.	DESCRIPTION
1	532 18 97-41	Drive Control Assembly, Auto-Walk	26	532 75 06-34	Screw, Threaded, Rolled #10-25 x 1/2
2	532 18 82-79	Cover, Top, Auto-Walk Drive Control	27	532 05 21-60	Washer, Shim (as required)
3	532 18 73-53	Pulley	28	812 00 00-58	E-Ring 7/16
4	532 19 00-39	Lever, Auto-Walk Drive Control	29	532 18 94-03	Cover, Dust, Wheel
5	532 18 82-78	Cover, Bottom, Auto-Walk Drive Control	30	532 17 51-04	Disc, Drive
6	532 18 16-98	Screw, Phillips Head #10 x 5/8	31	532 18 41-72	Seal, Friction
7	532 18 70-97	Plate, Trigger, Auto-Walk Drive Control	32	532 18 80-42	Wheel & Tire Assembly, Rear 9 x 2
8	532 18 62-97	Cap, Drive Control, Bottom	33	532 08 39-23	Nut, Hex, Flangelock 3/8-16
9	532 19 02-84	Cable, Drive Control	34	532 18 06-26	Hubcap
10	532 18 90-74	Decal, Drive Control	35	532 19 60-16	Shaft Assembly, Rear
11	532 18 59-13	Decal, Drive Control Adjustment (bottom)	36	532 19 60-15	Shaft Assembly, Front
12	532 18 76-53	Screw	37	532 16 14-63	Retainer, Front Shaft
13	532 18 86-45	Gear Case Assembly (See Breakdown)	38	532 16 34-09	Screw #12 x 5/8
14	532 18 94-08	Pulley, Drive	39	532 70 02-79	Clip, Retainer
15	532 13 20-10	Nut, Hex, Flangelock, Zinc Plated 3/8-16	40	532 15 03-48	Wheel & Tire Assembly, Front 8 x 2
16	532 16 15-84	Rod, Connecting	41	532 18 83-30	Pinion Assembly, RH
17	532 16 16-02	Spring, Extension	42	532 18 81-52	O-Ring
18	532 19 07-94	Spring Selector	43	532 18 83-31	Pinion Assembly, LH
19	532 19 06-22	Knob, Selector Spring	44	532 18 22-12	V-Belt
20	812 00 00-22	E-Ring	45	532 17 50-98	Pawl
21	532 16 33-65	Bearing, Support	46	532 18 82-91	Spring, Torsion
22	532 16 99-11	Bearing, Ball	47	532 06 77-25	Washer 1/2 x 1-1/2 x .134
23	532 16 45-55	Retainer, Drive Assembly, Stamped	48	532 17 51-05	Retainer, Drive, LH
24	532 05 78-08	Screw, Tapping, Hex Head 1/4-20 x 3/4	49	532 17 51-03	Gear, Pinion
25	532 19 55-03	Cover Drive	50	532 17 51-02	Retainer, Drive, RH
			51	532 08 83-48	Washer, Flat 1/2

NOTE: All component dimensions given in U.S. inches. 1 inch = 25.4 mm

IMPORTANT: Use only Original Equipment Manufacturer (O.E.M.) replacement parts. Failure to do so could be hazardous, damage your lawn mower and void your warranty.