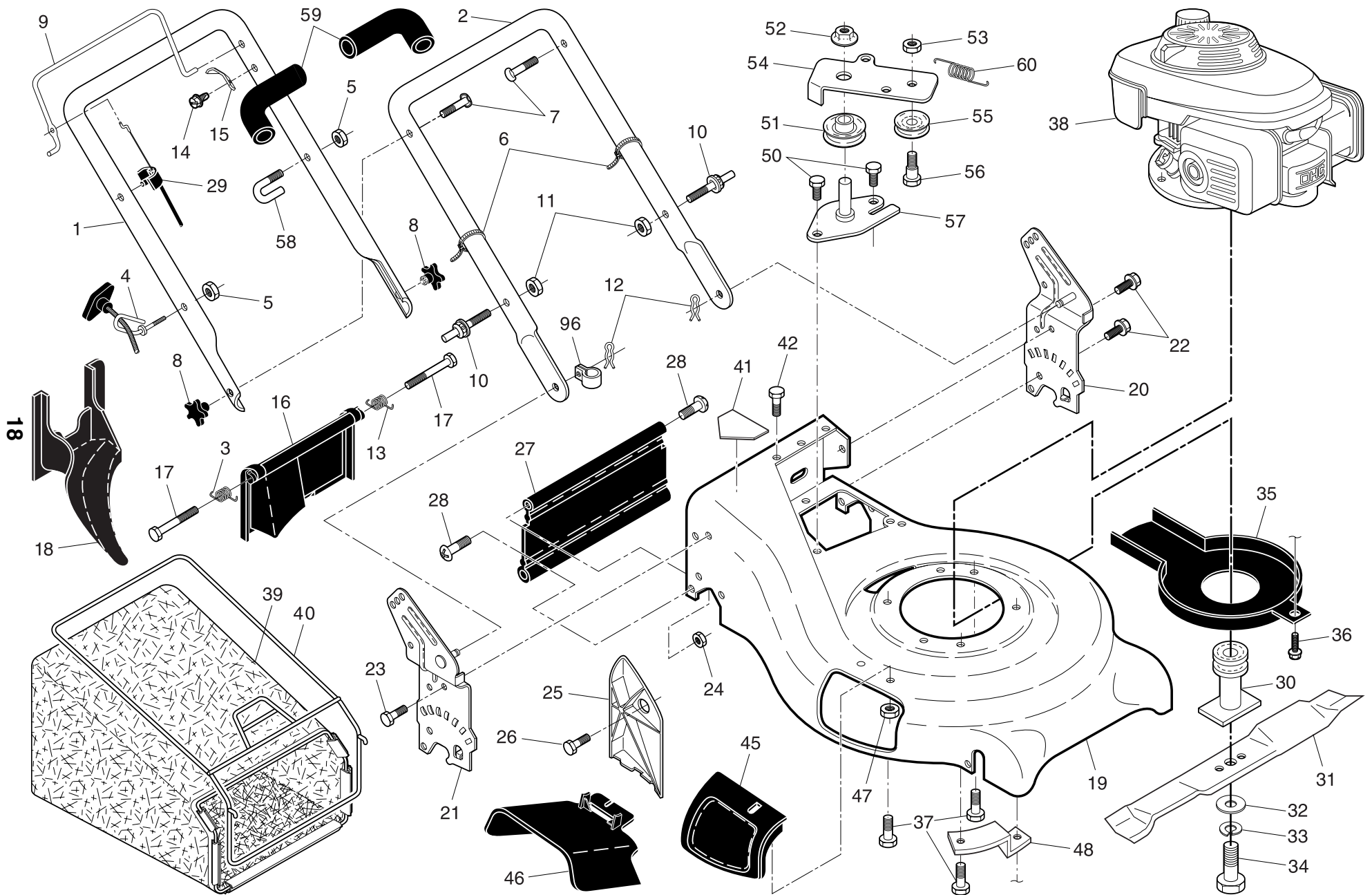


ROTARY LAWN MOWER - - MODEL NUMBER 5521RS (9614300202) - PRODUCT NUMBER 961 43 00-02



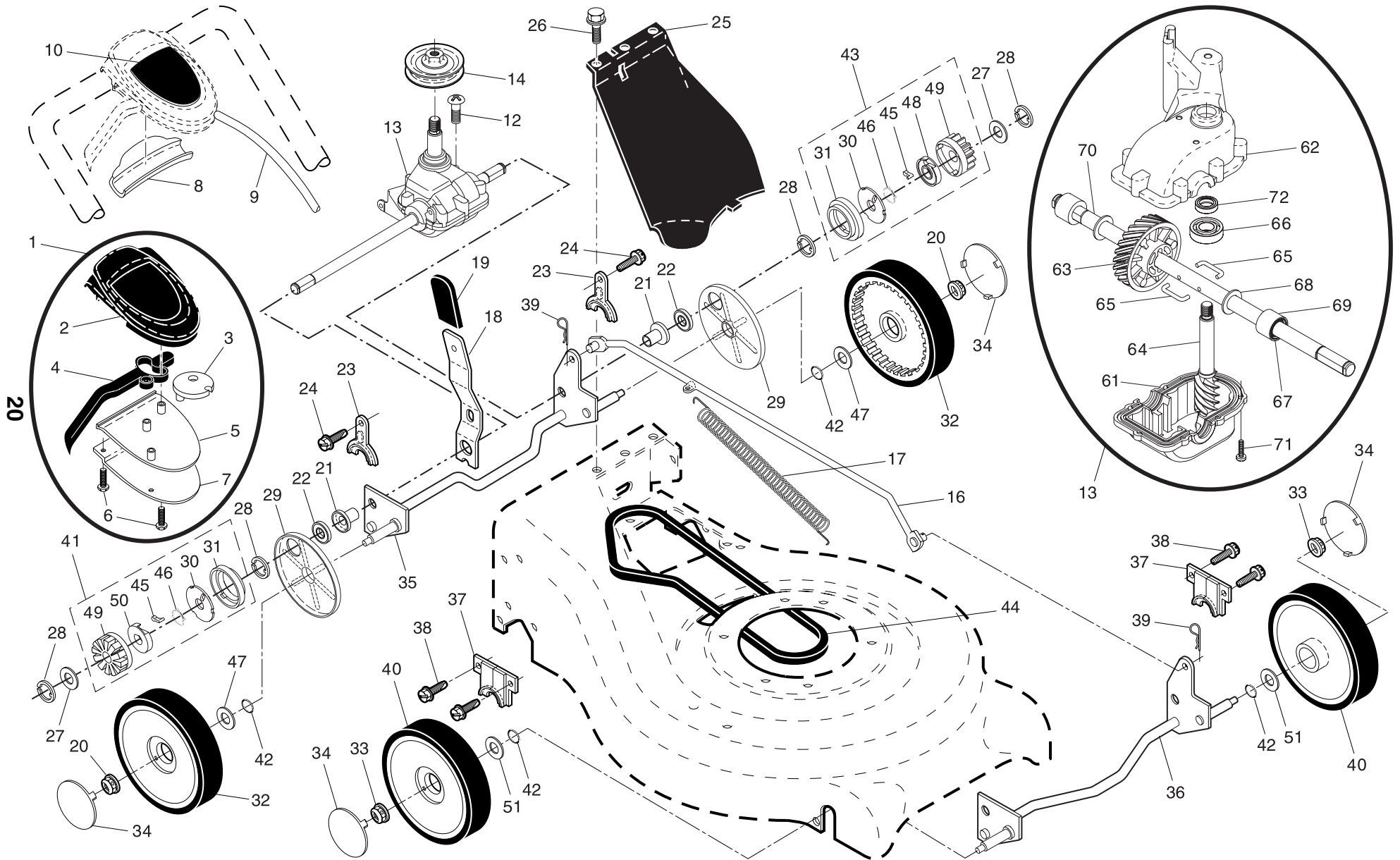
ROTARY LAWN MOWER - - MODEL NUMBER 5521RS (96143000202) - PRODUCT NUMBER 961 43 00-02

KEY NO.	PART NO.	DESCRIPTION	KEY NO.	PART NO.	DESCRIPTION
1	532 18 97-40	Handle, Upper (Includes Foam Grip)	32	532 85 10-74	Washer, Hardened
2	532 19 60-05	Handle, Lower	33	532 85 02-63	Lockwasher, Helical Spring 3/8
3	532 18 60-53	Spring, Rear Door, RH	34	532 85 10-84	Screw, Hex Head 3/8-24 x 1.38
4	532 17 95-85	Guide, Rope, Side	35	532 18 87-86	Debris Shield
5	532 13 20-04	Nut, Hex Lockwasher Insert 1/4-20	36	532 19 23-25	Screw
6	532 06 64-26	Wire, Tie	37	532 15 04-06	Bolt, Engine
7	532 19 15-74	Bolt, Handle 5/16-18 x 1.75	38	- - -	Engine, Honda, Model Number GCV160 (For engine service and replacement parts, call Honda at 1-800-426-7701)
8	532 18 55-88	Knob, Handle	39	532 19 45-40	Grassbag
9	532 19 06-20	Bail, Flat, Auto-Walk, Orange	40	532 18 88-17	Frame, Grassbag
10	532 18 88-21	Bolt, Carriage	41	532 10 73-39	Danger Decal
11	873 93 05-00	Nut, Hex, Centerlock 5/16-18 UNC	42	532 05 45-83	Screw
12	532 05 17-93	Cotter, Hairpin	45	532 19 05-10	Mulcher Door Assembly
13	532 18 60-52	Spring, Rear Door, LH	46	532 19 05-12	Deflector, Discharge
14	532 75 06-34	Screw	47	532 08 83-49	Nut, Hex
15	532 12 51-62	Bracket, Upstop	48	532 19 09-39	Mounting Bracket, Debris Shield
16	532 19 05-74	Rear Door Assembly	50	532 05 78-08	Screw
17	532 18 41-93	Bolt, Rear Door	51	532 18 45-43	Pulley Assembly, V-Groove
18	532 18 75-35	Plug, Mulcher	52	532 14 52-12	Flange Nut
19	532 18 56-01	Kit, Housing	53	532 15 55-52	Locknut
20	532 19 40-29	Handle Bracket Assembly, LH	54	532 18 58-98	Idler Arm
21	532 19 40-31	Handle Bracket Assembly, RH	55	532 16 60-43	Idler Pulley
22	532 15 00-78	Screw, Hex Washer Head	56	532 16 08-29	Shoulder Bolt
23	532 16 31-83	Bolt, Hex Head 5/16-18 x 5/8	57	532 18 58-99	Bracket Assembly
24	873 80 05-00	Nut, Hex, with Lock Washer Insert 5/16-18	58	532 18 20-03	Clip
25	532 16 13-33	Baffle, Side	59	532 18 27-48	Grip, Handle, Foam, Smooth
26	532 16 34-09	Screw 12 x 5/8	60	532 18 22-26	Spring, Return
27	532 18 89-86	Skirt, Rear	96	532 19 27-70	Clip, Cable
28	532 08 86-52	Screw, Hinge 1/4-20 x 1.25	--	532 16 23-00	Warning Decal (not shown)
29	532 18 35-67	Engine Zone Control Cable	--	532 19 68-58	Owner's Manual, English / French
30	532 18 91-79	Blade Adapter / Pulley			
31	532 18 90-28	Blade, 21"			

NOTE: All component dimensions given in U.S. inches. 1 inch = 25.4 mm

IMPORTANT: Use only Original Equipment Manufacturer (O.E.M.) replacement parts. Failure to do so could be hazardous, damage your lawn mower and void your warranty.

ROTARY LAWN MOWER - - MODEL NUMBER 5521RS (9614300202) - PRODUCT NUMBER 961 43 00-02



ROTARY LAWN MOWER - - MODEL NUMBER **5521RS** (96143000202) - PRODUCT NUMBER 961 43 00-02

KEY NO.	PART NO.	DESCRIPTION	KEY NO.	PART NO.	DESCRIPTION
1	532 19 67-55	Drive Control Assembly, Auto-Walk	33	532 08 39-23	Nut, Hex, Flangelock 3/8-16
2	532 19 57-61	Cover, Top, Auto-Walk Drive Control	34	532 18 06-26	Hubcap
3	532 18 73-53	Pulley	35	532 19 60-16	Shaft Assembly, Rear
4	532 19 00-39	Lever, Auto-Walk Drive Control	36	532 19 60-15	Shaft Assembly, Front
5	532 19 57-62	Cover, Bottom, Auto-Walk Drive Control	37	532 16 14-63	Retainer, Front Shaft
6	532 18 16-98	Screw, Phillips Head #10 x 5/8	38	532 16 34-09	Screw #12 x 5/8
7	532 18 70-97	Plate, Trigger, Auto-Walk Drive Control	39	532 70 02-79	Clip, Retainer
8	532 18 62-97	Cap, Drive Control, Bottom	40	532 15 03-48	Wheel & Tire Assembly, Front 8 x 2
9	532 19 67-84	Cable, Drive Control	41	532 18 83-30	Pinion Assembly, RH
10	532 18 90-74	Decal, Drive Control	42	532 18 81-52	O-Ring
12	532 18 76-53	Screw	43	532 18 83-31	Pinion Assembly, LH
13	532 18 86-45	Gear Case Assembly (See Breakdown)	44	532 18 22-12	V-Belt
14	532 19 41-28	Pulley, Drive	45	532 17 50-98	Pawl
16	532 16 15-84	Rod, Connecting	46	532 18 82-91	Spring, Torsion
17	532 16 16-02	Spring, Extension	47	532 06 77-25	Washer 1/2 x 1-1/2 x .134
18	532 19 07-94	Spring Selector	48	532 17 51-05	Retainer, Drive, LH
19	532 19 06-22	Knob, Selector Spring	49	532 17 51-03	Gear, Pinion
20	812 00 00-22	E-Ring	50	532 17 51-02	Retainer, Drive, RH
21	532 16 33-65	Bearing, Support	51	532 08 83-48	Washer, Flat 1/2
22	532 16 99-11	Bearing, Ball	61	532 18 75-30	Case, Lower
23	532 16 45-55	Retainer, Drive Assembly, Stamped	62	532 18 75-31	Case, Upper
24	532 05 78-08	Screw, Tapping, Hex Head 1/4-20 x 3/4	63	532 18 75-32	Gear, 24 Teeth
25	532 19 55-03	Cover Drive	64	532 18 75-33	Shaft, Input
26	532 75 06-34	Screw, Threaded, Rolled #10-25 x 1/2	65	532 18 35-05	Wire, Formed
27	532 05 21-60	Washer, Shim (as required)	66	532 18 35-06	Bearing, Ball
28	812 00 00-58	E-Ring 7/16	67	532 18 35-08	Seal, Output Shaft
29	532 18 94-03	Cover, Dust, Wheel	68	532 18 35-09	Washer
30	532 17 51-04	Disc, Drive	69	532 18 35-11	Bushing
31	532 18 41-72	Seal, Friction	70	532 19 12-49	Shaft, Output
32	532 18 80-42	Wheel & Tire Assembly, Rear 9 x 2	71	532 18 35-13	Screw
			72	532 18 35-14	Seal, Input Shaft

NOTE: All component dimensions given in U.S. inches. 1 inch = 25.4 mm

IMPORTANT: Use only Original Equipment Manufacturer (O.E.M.) replacement parts. Failure to do so could be hazardous, damage your lawn mower and void your warranty.