



SERVICE PARTS LIST

BULLETIN NO.
54-37-0110

SPECIFY CATALOG NO. AND SERIAL NO. WHEN ORDERING PARTS		REVISED BULLETIN 54-37-0109	DATE April '95
1 H.P. ROUTER			
CATALOG NO.	5620	SERIAL NUMBER	451A
		WIRING INSTRUCTION 58-01-0703	

EXAMPLE:



Component Parts (Small #) Are Included
When Ordering The Assembly (Large #).

FOR SERIAL NUMBERS:
451A194410001 THRU 451A194410005
USE SERVICE PARTS LIST ON
REVERSE SIDE OF THIS BULLETIN

Catalog No. 5620 Includes:

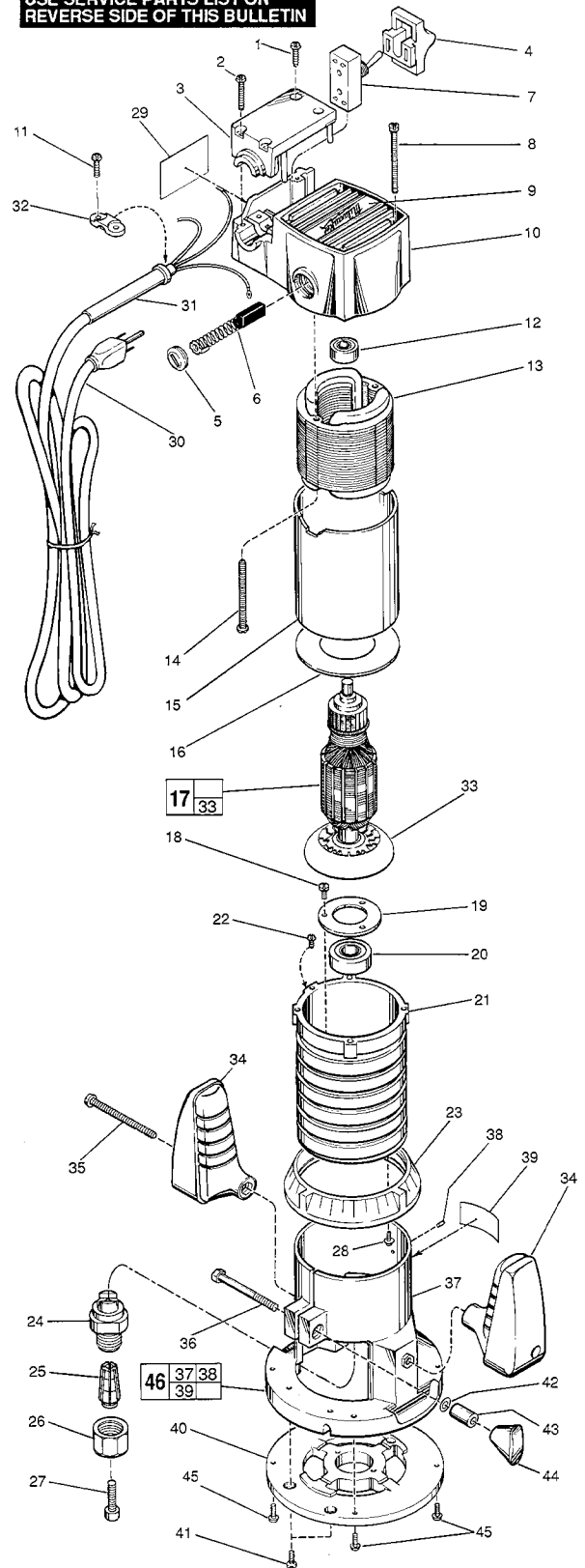
5610 Router Motor Assy. (Figs. 1 thru 33) and

48-10-0070 Router Base Assy. (Figs. 34 thru 45)

FIG.	PART NO.	DESCRIPTION OF PART	NO. REQ.
	1	6-19 x 11/16" Pan Hd. Plastite T-15 Screw	(2)
	2	6-19 x 1-1/8" Pan Hd. Plastite T-15 Screw	(2)
	3	Switch Clamp	(1)
	4	Switch Button	(1)
	5	Brush Cap	(2)
	6	Carbon Brush Assembly	(2)
	7	Toggle Switch	(1)
	8	8-32 x 1-7/8" Pan Hd. Taptite T-20 Screw	(4)
	9	Identification Plate	(1)
	10	Upper Bearing Cap Assembly	(1)
	11	8-16 x 5/8" Pan Hd. Slit. Plast. T-20 Screw	(2)
	12	Ball Bearing	(1)
	13	120 V. Field	(1)
★	14	8-16 x 2-1/4" Pan Hd. Plastite T-20 Screw	(2)
	15	Insulating Sleeve	(1)
	16	Insulating Spacer	(1)
	17	120 V. Armature	(1)
	18	8-32 x 1/2" Flat Hd. Screw	(3)
	19	Bearing Retainer	(1)
	20	Ball Bearing	(1)
	21	Motor Housing	(1)
	22	6-32 x 1/4" Ground Screw	(1)
	23	Adjusting Ring	(1)
	24	Chuck Shank	(1)
	25	1/4" Collet	(1)
	26	Collet Nut	(1)
	27	1/4-20 x 5/8" Socket Hd. Screw	(1)
	28	6-32 x 1/4" Washer Hd. Screw	(1)
★	29	Service Nameplate Kit	(1)
	30	Cord Set	(1)
	31	Cord Protector	(1)
	32	Cord Clamp	(1)
	33	Fan	(1)
	48-10-0070	Router Base (Includes Fig. Nos. 34 thru 45)	(1)
	34	Handle	(2)
	35	10-24 x 2-3/8" Pan Hd. Slit. Taptite T-25 Screw	(2)
	36	1/4-20 x 1-3/4" Hex Hd. Screw	(1)
	37	Router Base	(1)
	38	3/32 x 5/16" Long Pin	(1)
★	39	Router Base Nameplate	(1)
	40	Sub Base	(1)
	41	10-32 x 7/16" Pan Hd. Taptite Sem.	(2)
	42	Lock Washer	(1)
	43	Locking Knob Spacer	(1)
	44	Locking Knob	(1)
	45	8-32 x 3/8" Pan Hd. Taptite T-20 Screw	(4)
	46	Router Base Assembly	(1)

PARTS NOT SHOWN

49-96-4070	7/8" Open End Wrench	(1)
49-96-4075	1" Open End Wrench	(1)



MILWAUKEE ELECTRIC TOOL CORPORATION
13135 W. LISBON RD., BROOKFIELD, WI 53005