



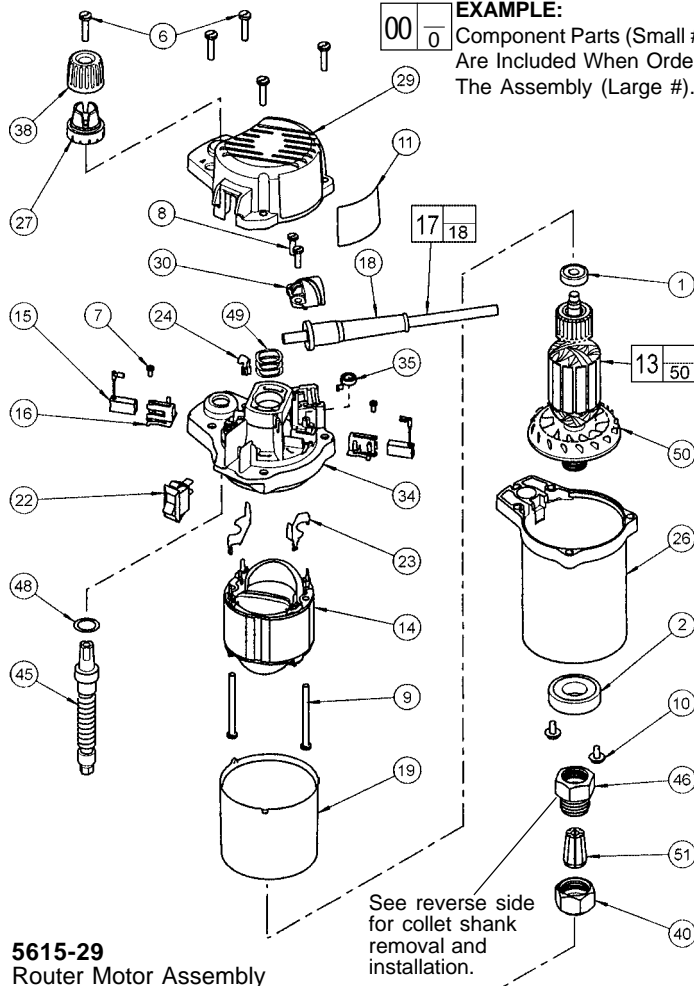
# SERVICE PARTS LIST

**BULLETIN NO.**  
**54-37-0125**

SPECIFY CATALOG NO. AND SERIAL NO. WHEN ORDERING PARTS		REVISED BULLETIN	DATE
<b>1-3/4 H.P. BODY GRIP ROUTER</b>			Nov. 2002
CATALOG NO.	5615-29	SERIAL NUMBER	279A
		WIRING INSTRUCTION	<b>58-01-0705</b>

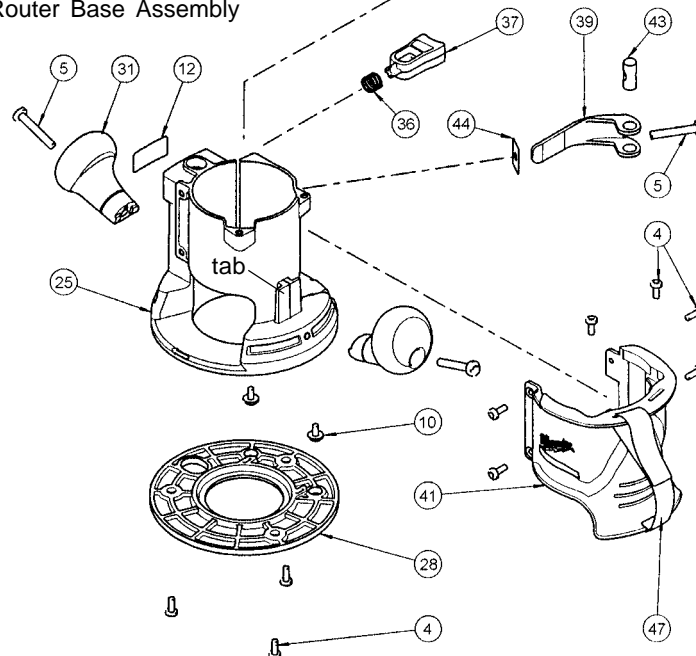
FIG.	PART NO.	DESCRIPTION OF PART	QTY.
1	02-04-0852	Ball Bearing	(1)
2	02-04-2005	Ball Bearing	(1)
4	06-82-5314	10-24 x 1/2" Slit. Pan Hd. Tapt. T-25	(9)
5	06-82-5514	1/4-20 x 1-1/2" Slit. Pan Hd. Tapt. T-30	(3)
6	06-82-5574	10-24 x 7/8" Pan Hd. Slit. Tapt. T-25	(5)
7	06-82-7212	4-20 x 1/4" Pan Hd. Slit. Plast. T-10	(2)
8	06-82-7270	8-16 x 5/8" Pan Hd. Slit. Plast. T-20	(2)
9	06-82-7455	8-16 x 2-3/8" Pan Hd. Slit. Plast. T-20	(2)
10	06-82-8865	10-32 x 7/16" Pan Hd. Tapt. Sems T-25	(4)
11	12-20-0145	Service Nameplate Kit	(1)
12	12-25-0235	Nameplate	(1)
13	16-30-0010	Armature	(1)
14	18-30-1010	Field	(1)
15	22-16-0410	Carbon Brush	(2)
16	22-22-0165	Brush Tube	(2)
17	22-64-7777	Cord Set Assembly	(1)
18	44-76-0210	Cord Protector	(1)
19	23-16-0405	Field Insulator	(1)
22	23-66-2275	Rocker Switch	(1)
23	23-74-0025	Field Terminal	(2)
24	23-74-0055	Connector Terminal	(1)
25	26-06-0100	Base	(1)
26	28-50-0105	Motor Housing	(1)
27	31-01-0025	Depth Scale	(1)
28	49-54-1045	Sub Base	(1)
29	31-15-0065	Motor Cover	(1)
30	31-17-0070	Cord Clamp	(1)
31	31-44-0130	Knob Handle	(2)
34	31-50-0105	Motor Frame	(1)
35	40-50-0190	Brush Spring	(2)
36	40-50-4005	Compression Spring	(1)
37	42-42-0125	Release Button	(1)
38	43-98-0530	Depth Knob	(1)
39	44-10-0435	Base Clamp Lever	(1)
40	44-40-0095	Collet Nut (2 supplied with tool)	(1)
41	44-52-0020	Body Grip	(1)
43	44-60-0095	Thru Pin	(1)
44	44-66-0035	Wear Plate	(1)
45	45-08-0030	Depth Shaft Assembly	(1)
46	45-10-0080	Collet Shank (See reverse side for servicing)	(1)
47	45-56-0225	Handle Strap Assembly	(1)
48	45-88-0045	Washer	(1)
49	45-88-0577	Wave Spring Washer	(3)
50	22-84-0380	Fan Assembly	(1)
51	48-66-0985	1/4" Collet	(1)
51	48-66-1010	1/2" Collet	(1)
	49-96-0365	1-1/8" Open End Wrench (Not Shown)	(2)

**EXAMPLE:**  
Component Parts (Small #)  
Are Included When Ordering  
The Assembly (Large #).



**5615-29**  
Router Motor Assembly

**48-10-5615**  
Router Base Assembly



- FIG. NOTES:**
- 5,39 Clamping force for the base clamp lever (39) is adjusted with base clamp screw (5). Tighten the screw using 10-20 lbs. force to close the lever to the locked position. Motor unit must be in base when checking force.
- 16,34 When servicing the motor frame (34) and the brush tube (16) has to be removed, replace with a new brush tube.
- 25,36,37 To service the release button (37) and the compression spring (36) a long, thin tool like a flat blade screwdriver must be used. From the bottom of the base (25), insert the screwdriver into the cavity located under the release button. Press on the button detent to release.
- 25,41,47 The metal clip from the handle strap (47) is to be placed around the tab on the base (25). The body grip (41) is to be placed onto the base from the top so that the cavity on the inside of the body grip slips over the tab on the base, securing the handle strap.
- 39,43 Apply a thin coat of "L" grease, No. 49-08-4170, to the pivot surface areas of the base clamp lever (39). Apply a thin coat of grease to the surface of the thru pin (43).

**MILWAUKEE ELECTRIC TOOL CORPORATION**  
13135 W. LISBON RD., BROOKFIELD, WI 53005