

# 575 XP

# 570

# 575 XP EPA

# 570 EPA

**Spare parts**

**Ersatzteile**

**Pièces détachées**

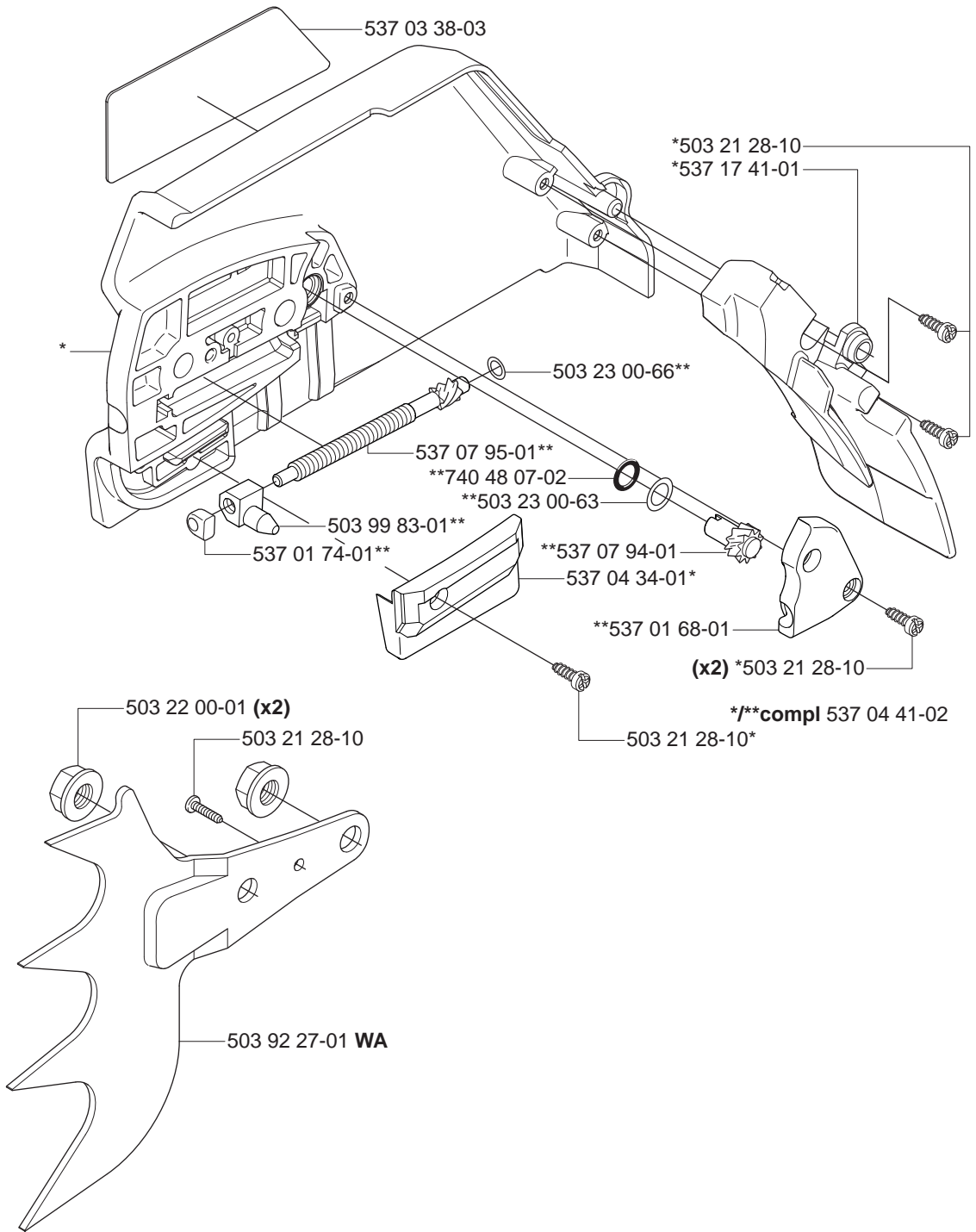
**Reserve onderdelen**

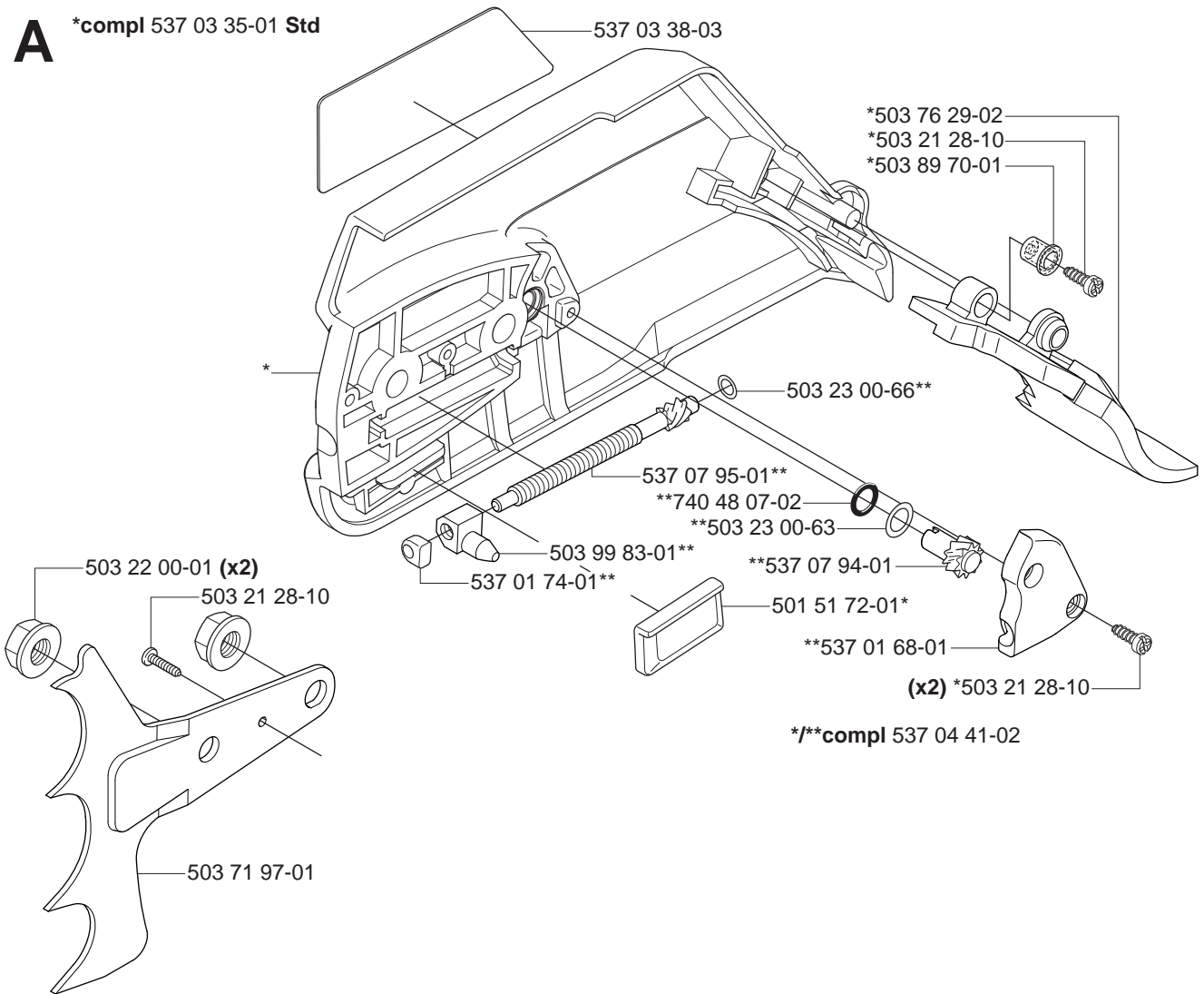
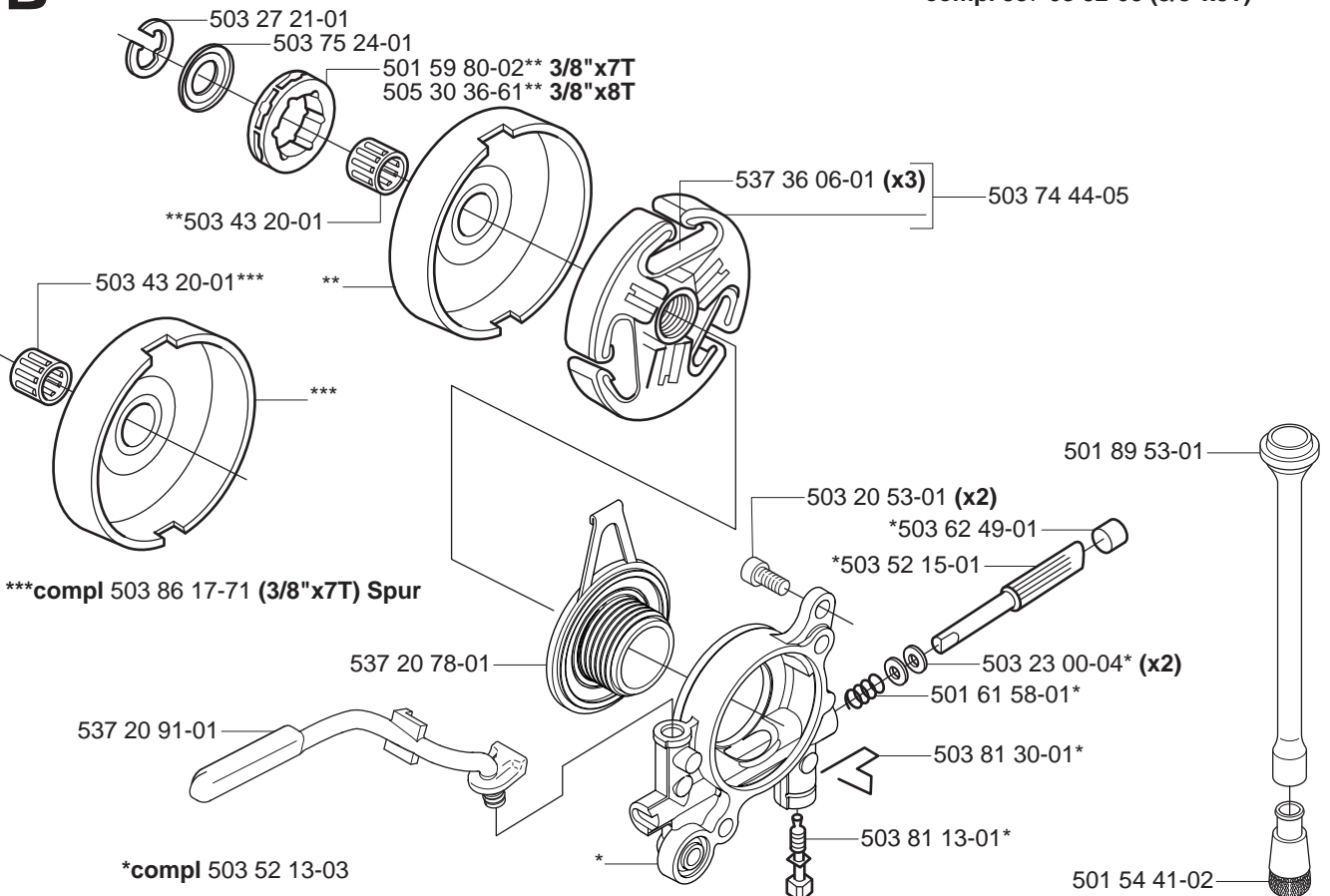
**Repuestos**

**Reservdelar**

**A**

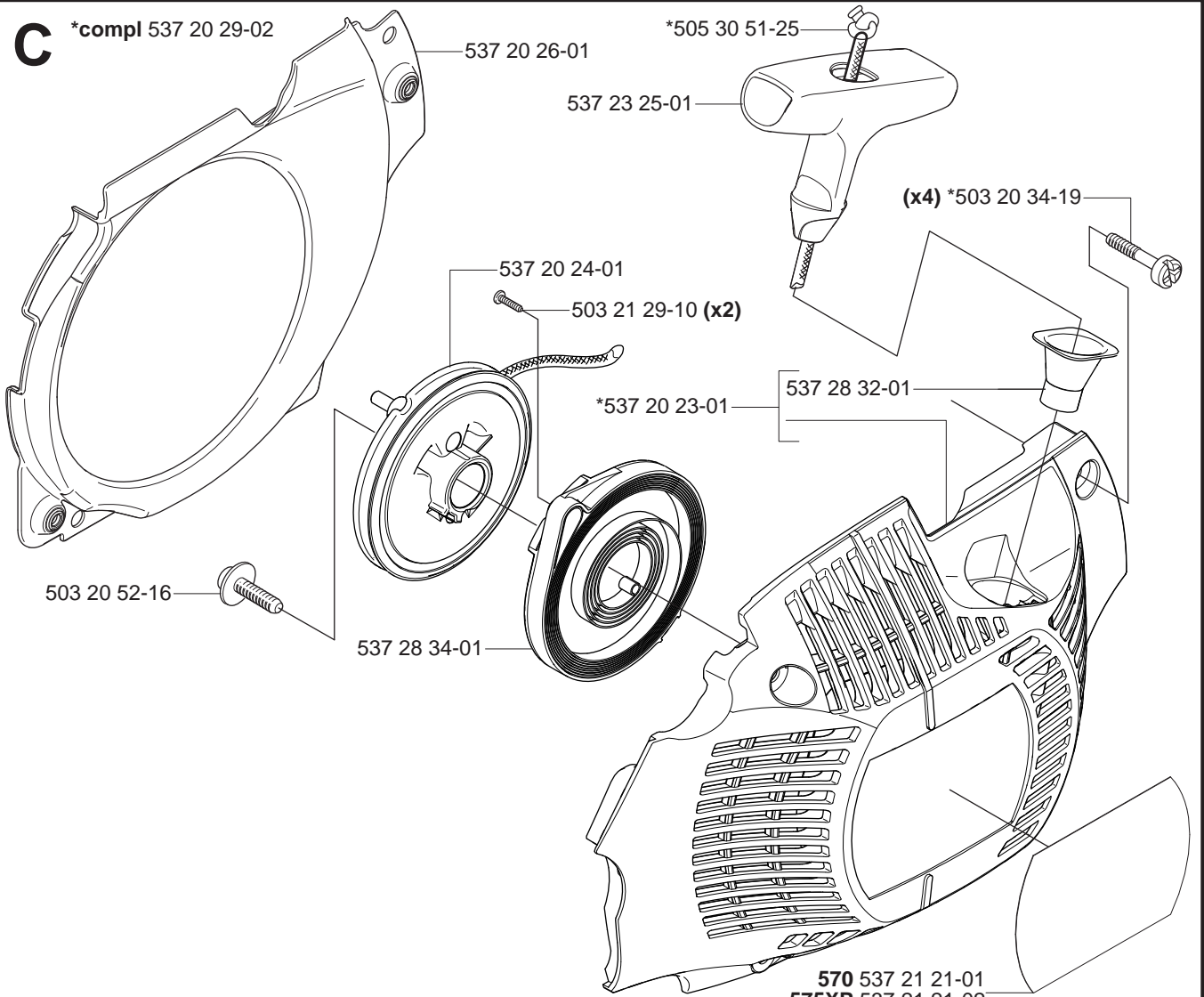
\*compl 537 33 10-01 WA



**A****\*compl 537 03 35-01 Std****B****\*\*compl 537 03 62-05 (3/8"x7T)****\*\*compl 537 03 62-06 (3/8"x8T)**

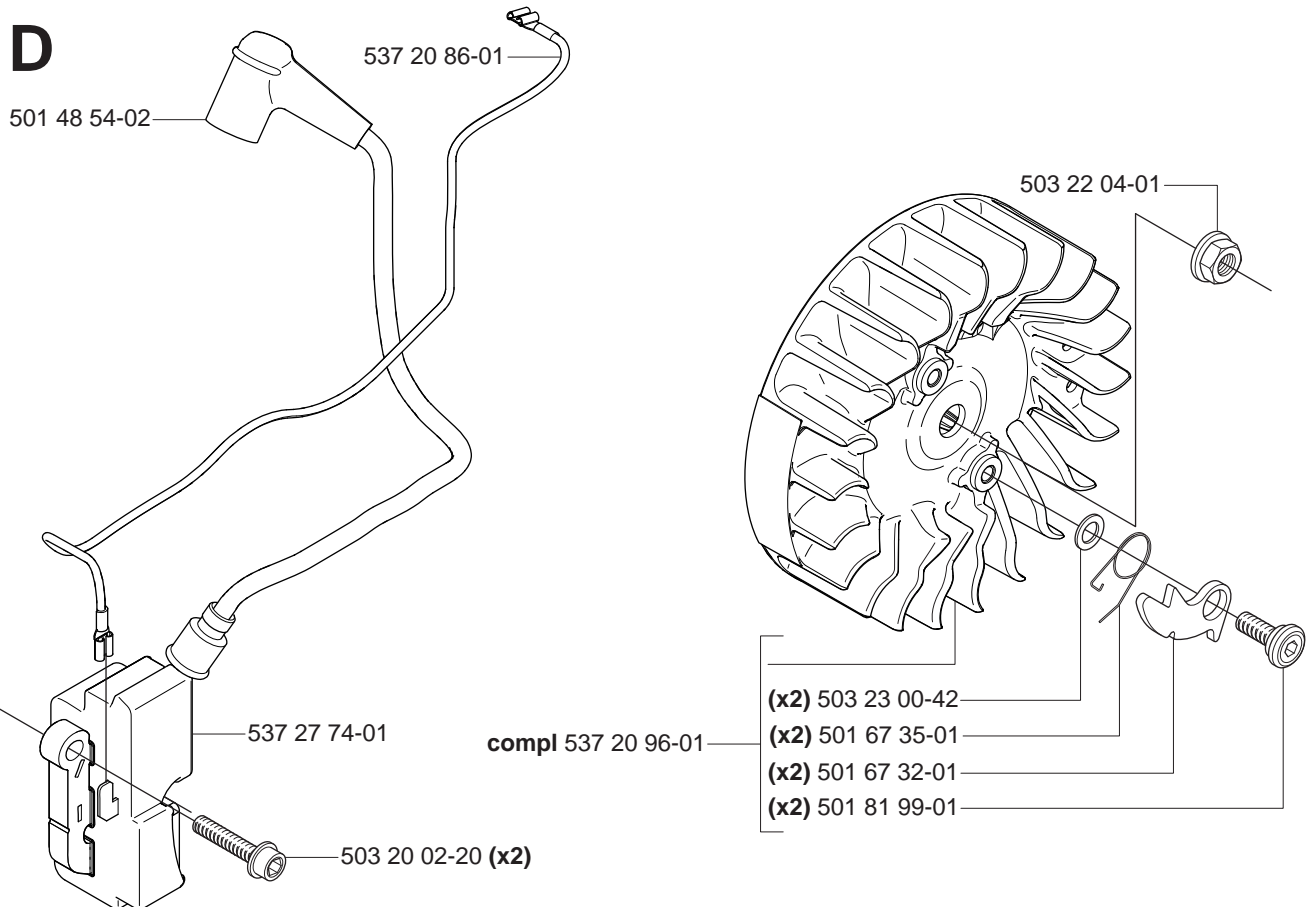
**C**

\*compl 537 20 29-02



570 537 21 21-01  
 575XP 537 21 21-02  
 575XPG 537 21 21-03

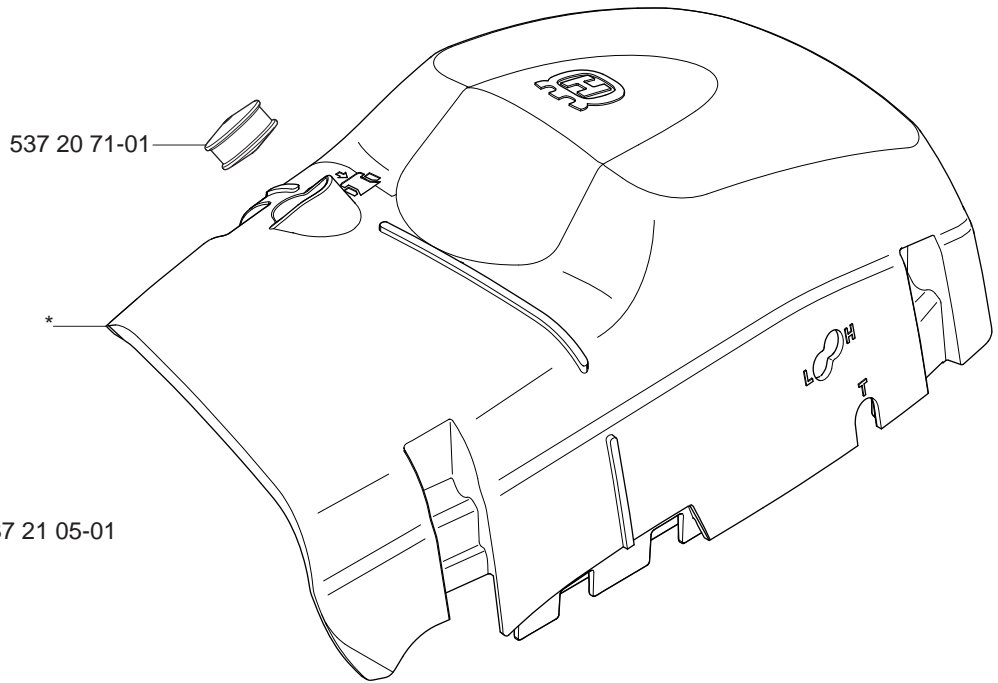
**D**



**E** \*compl 537 21 25-01



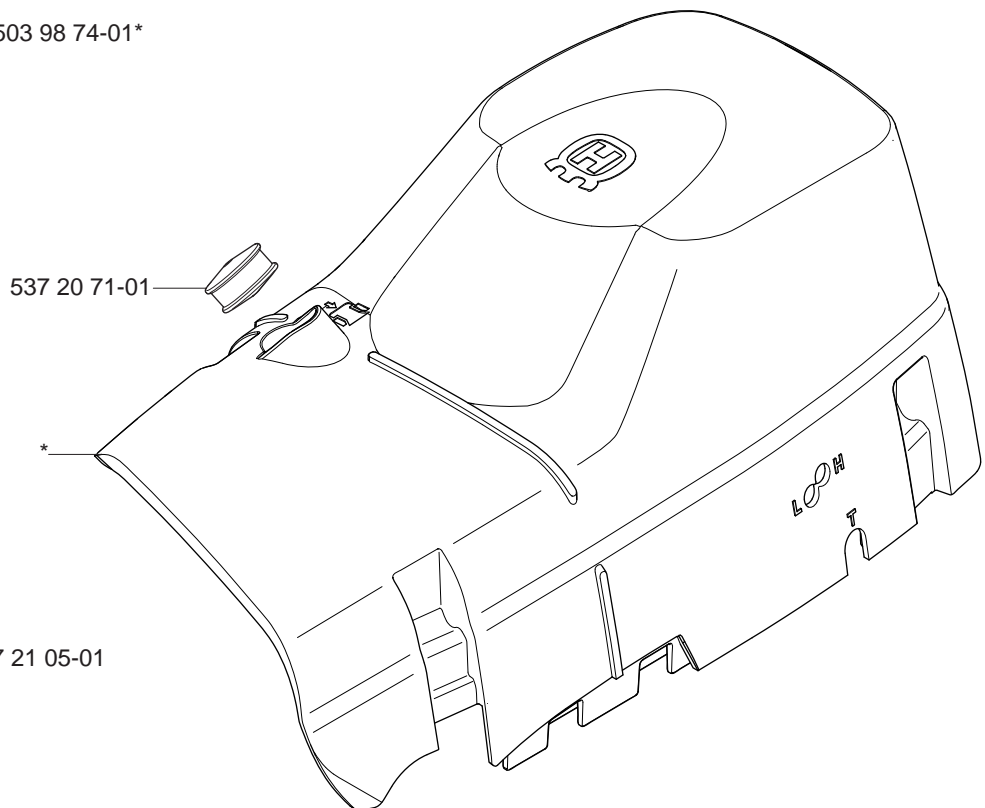
503 98 74-01\*



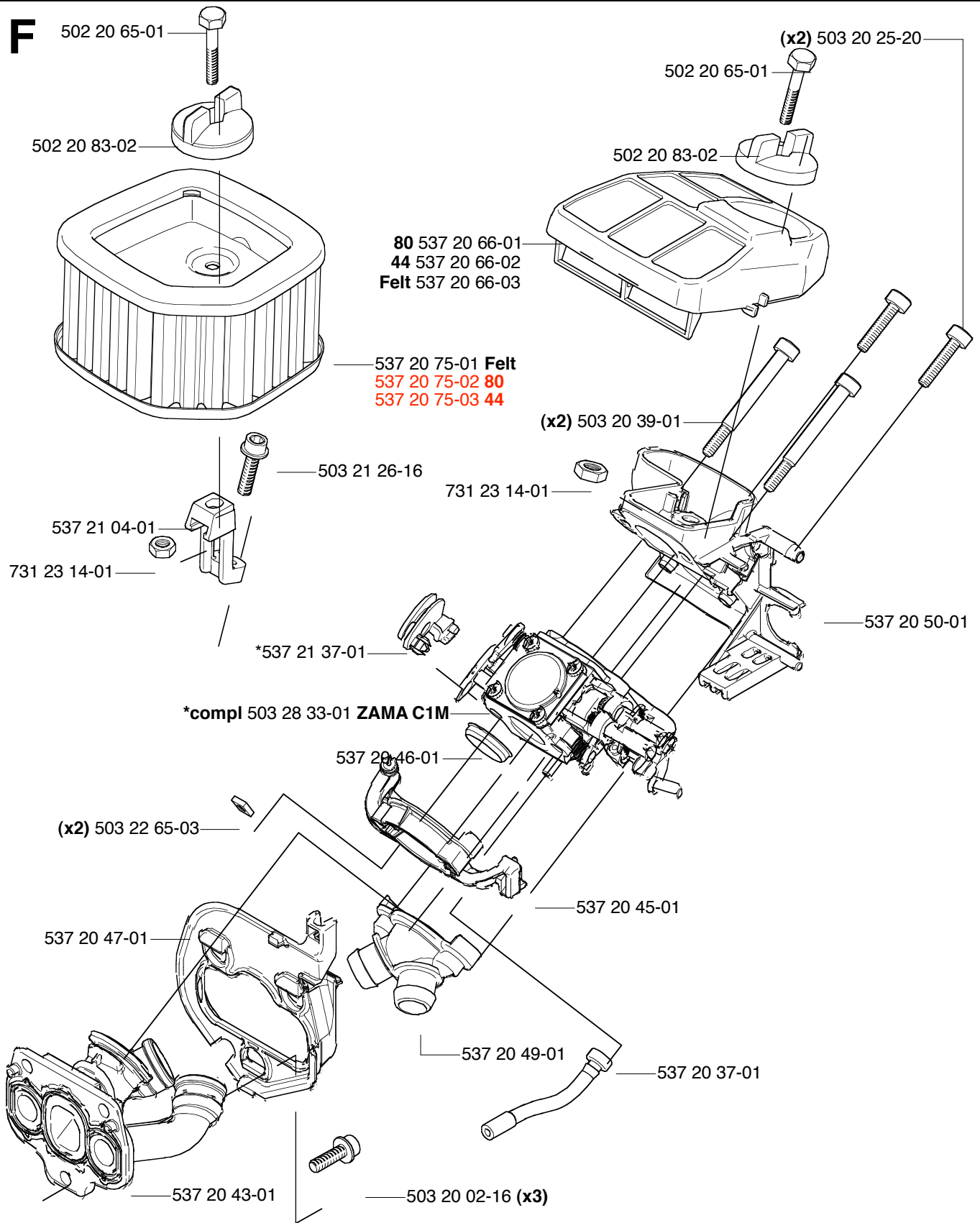
**E** \*compl 537 21 25-02

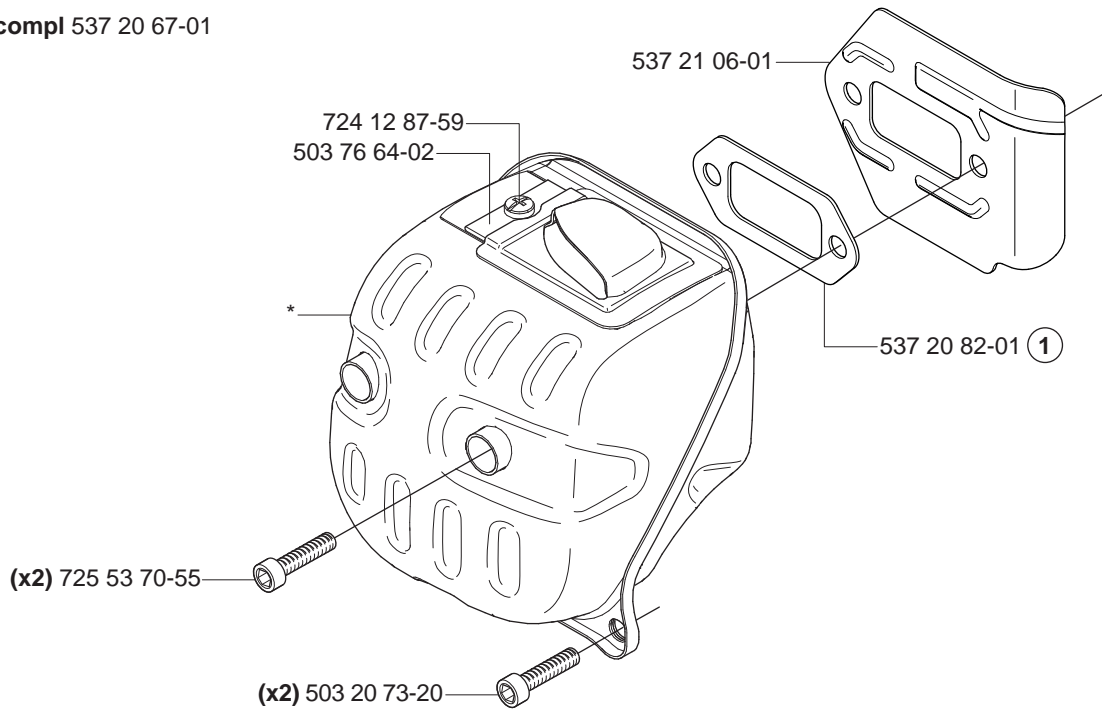
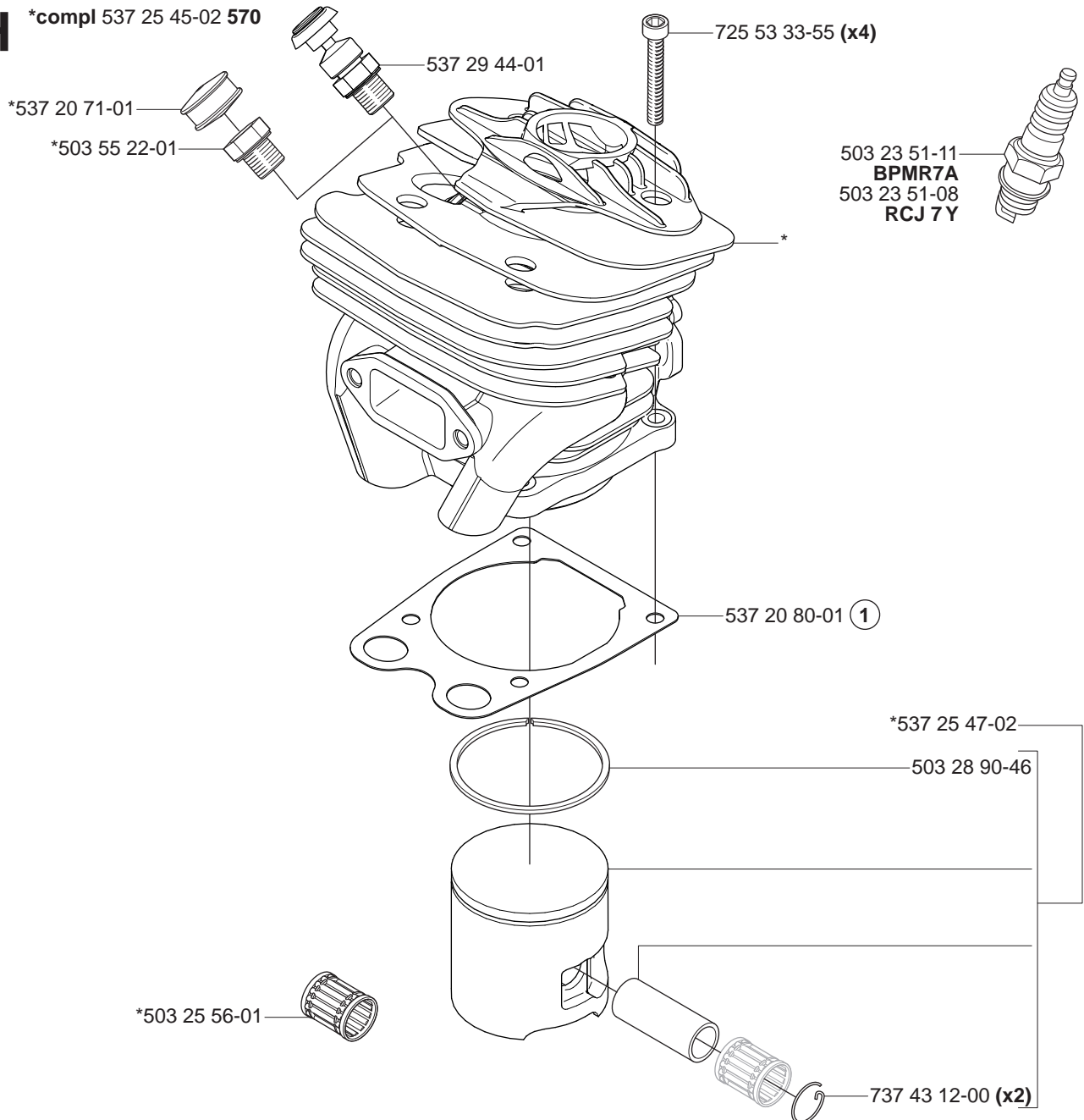


503 98 74-01\*



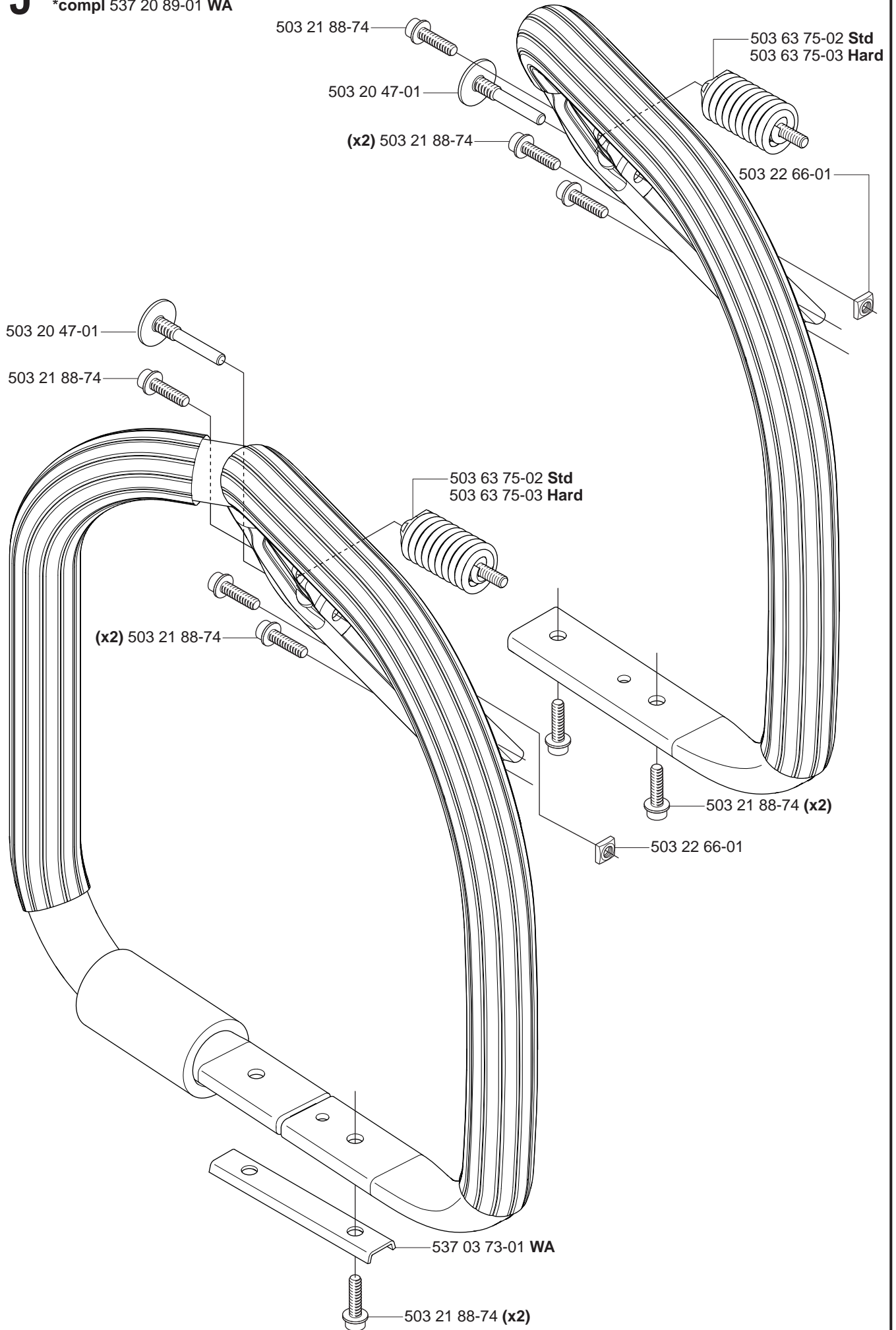
**F**



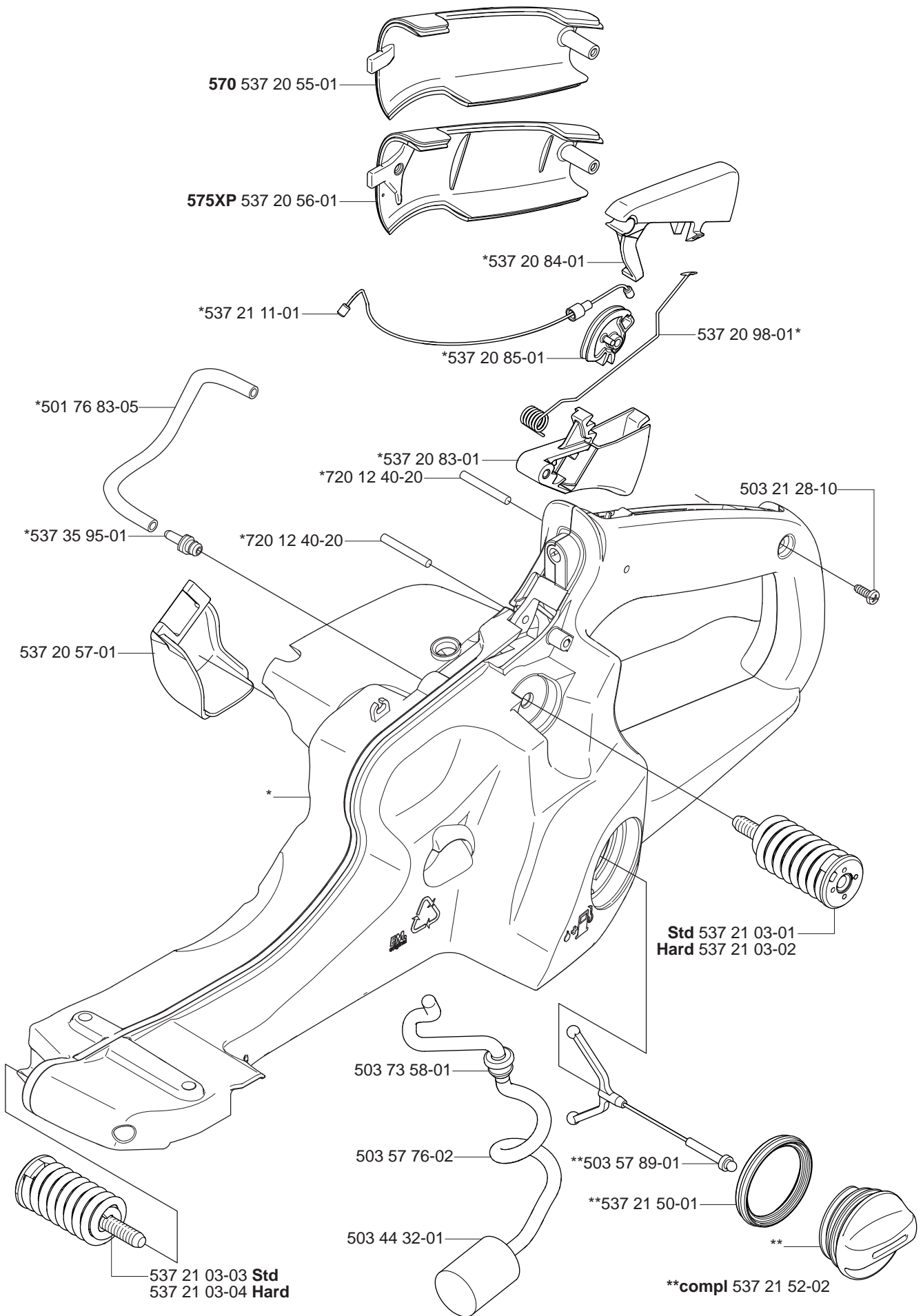
**G****\*compl 537 20 67-01****H****\*compl 537 25 45-02 570**

**J**

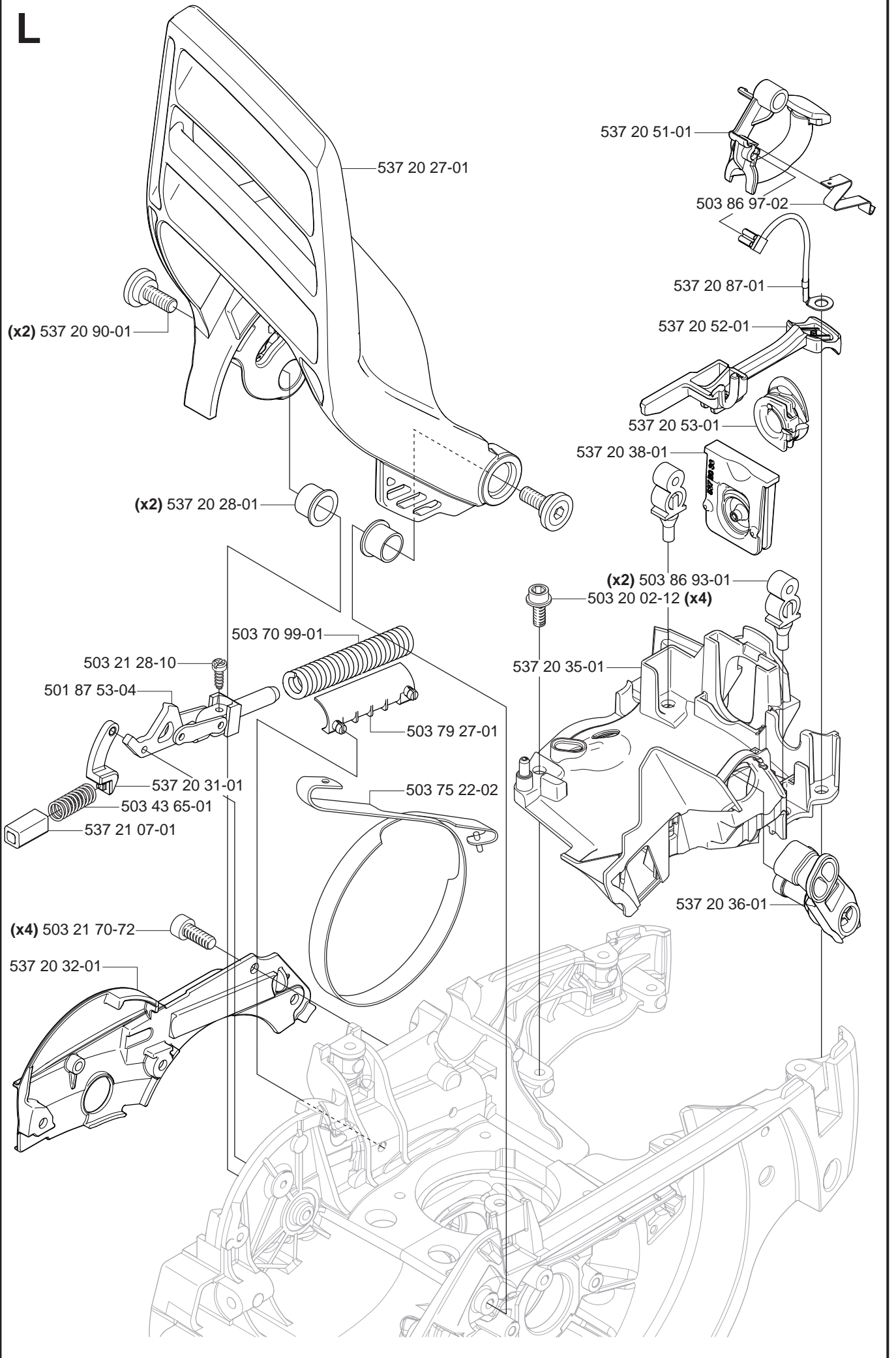
\*compl 537 20 59-01  
\*compl 537 20 89-01 WA



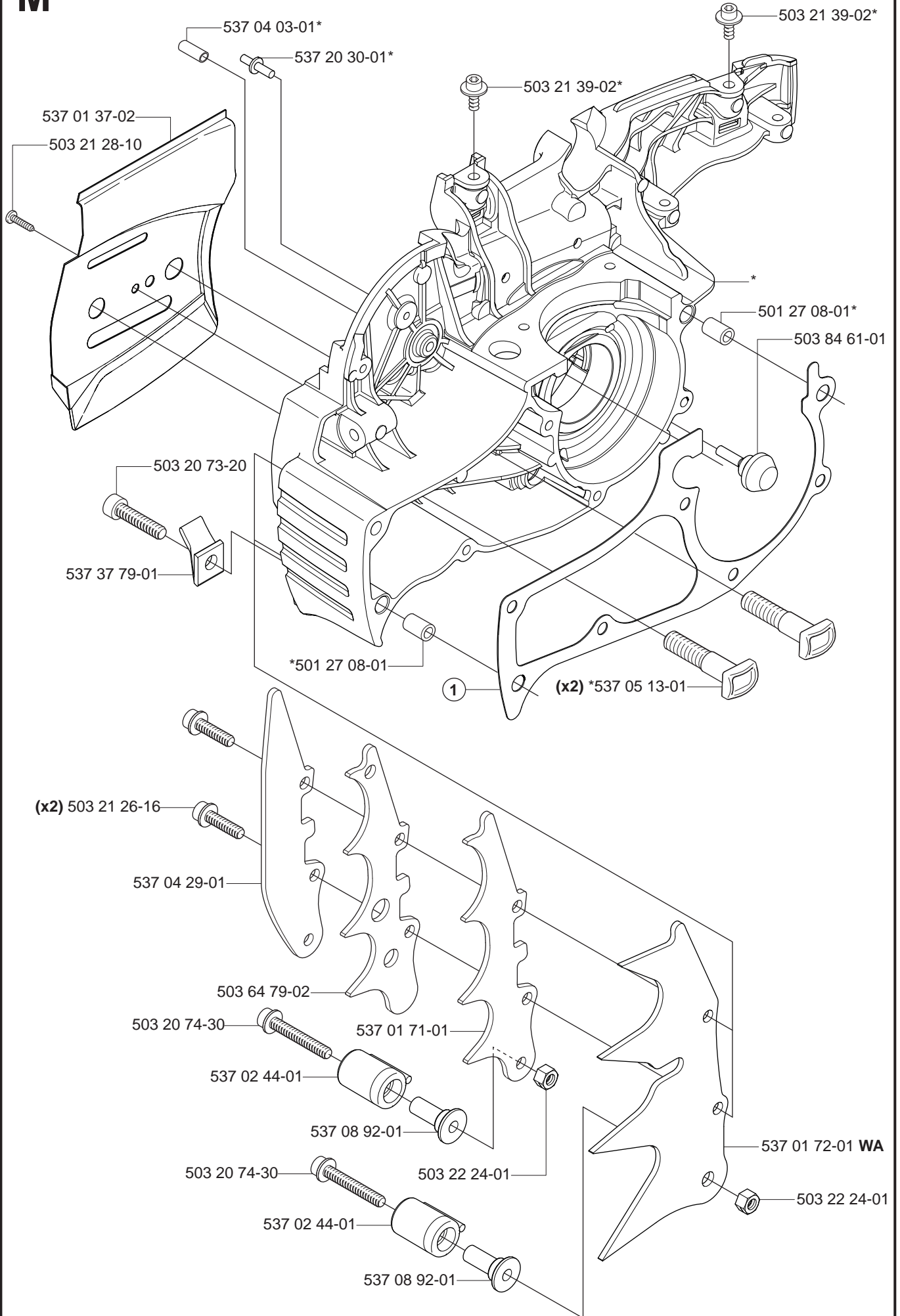


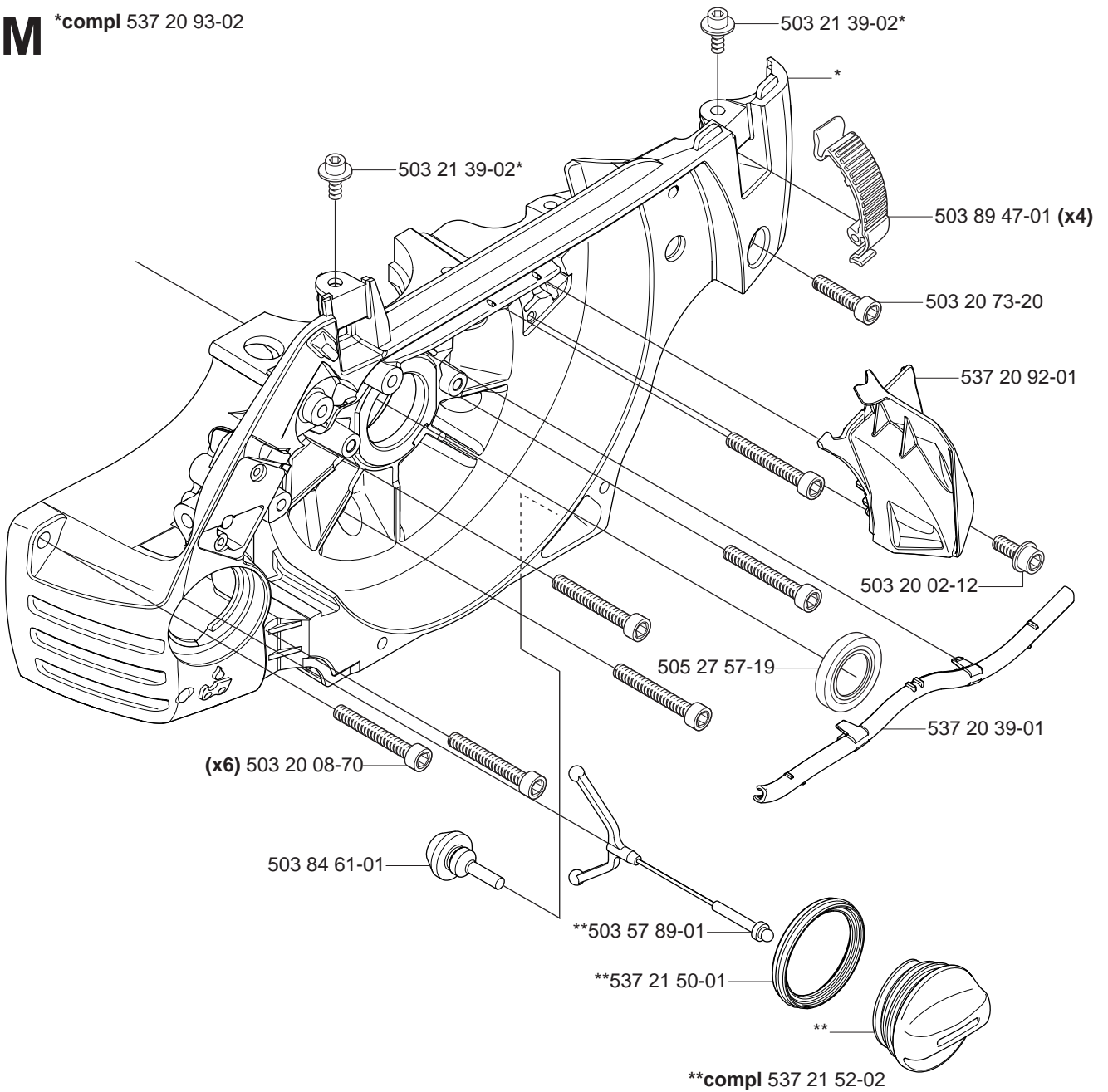
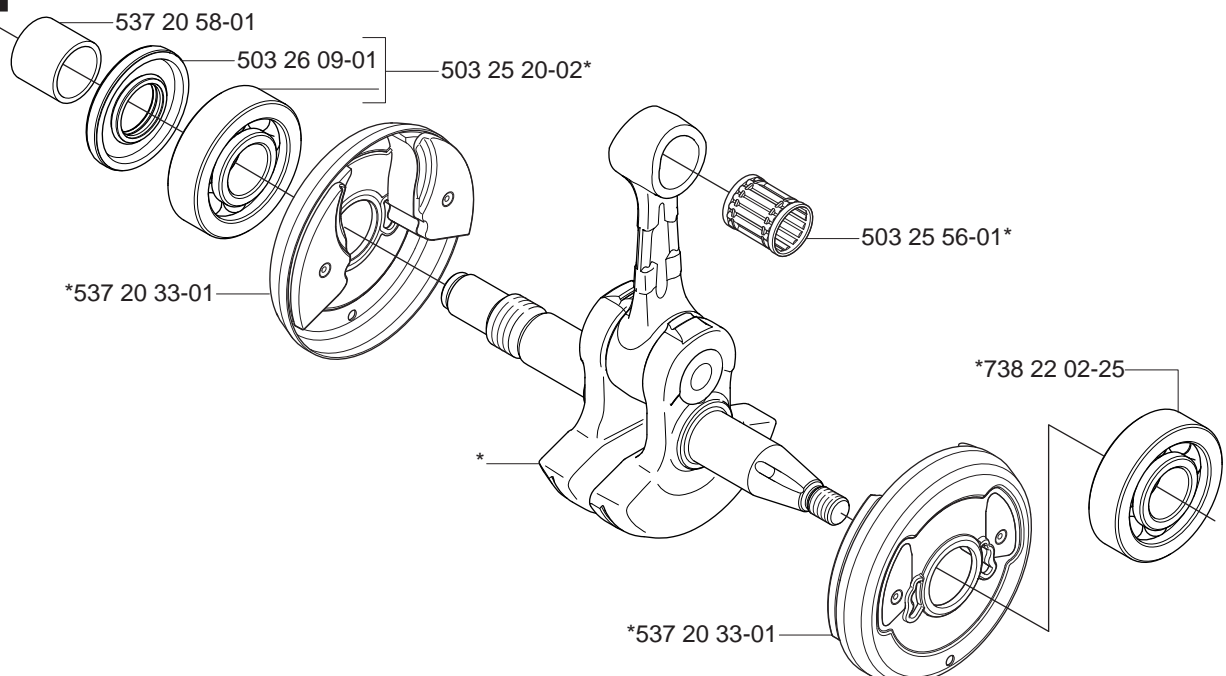


L



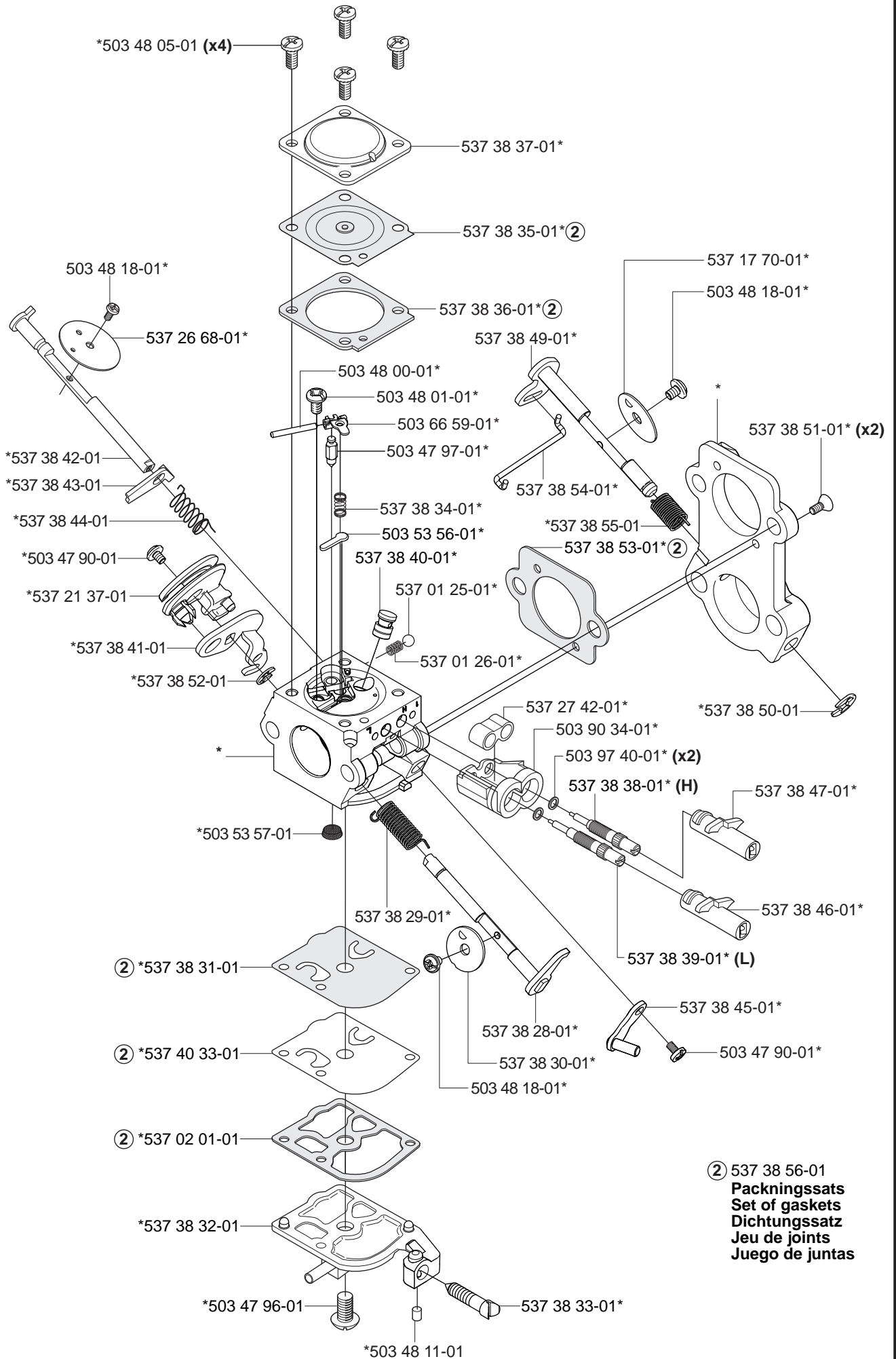
**M** \*compl 537 20 93-02



**M****\*compl 537 20 93-02****N****\*compl 537 30 61-02**

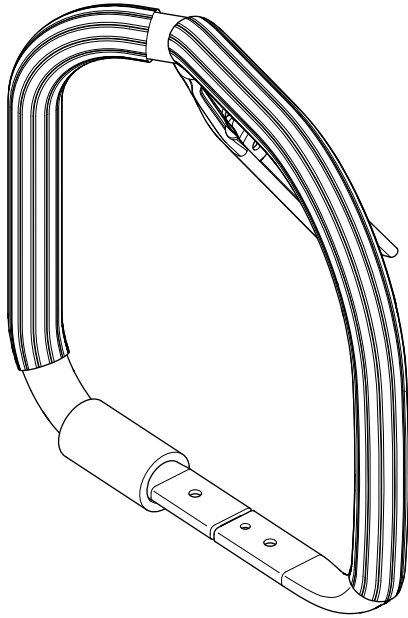
**P**

\*compl 503 28 33-01 ZAMA C1M-EL28

**ZAMA C1M-EL28**

(2) 537 38 56-01  
**Packningssats**  
**Set of gaskets**  
**Dichtungssatz**  
**Jeu de joints**  
**Juego de juntas**

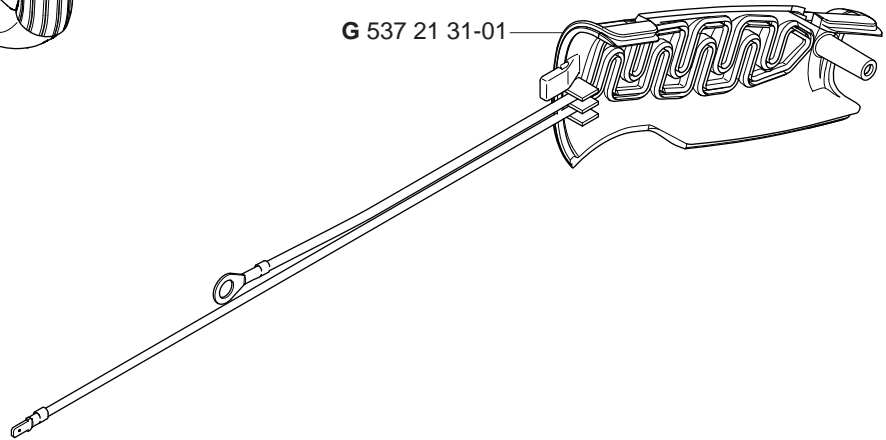
**Q**



**compl 537 20 89-02 WA G**



**compl 537 20 59-02 G**

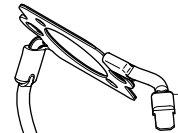
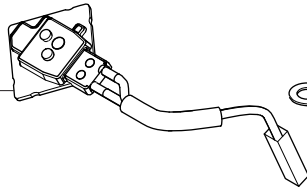


**G 537 21 31-01**



**537 21 08-01**

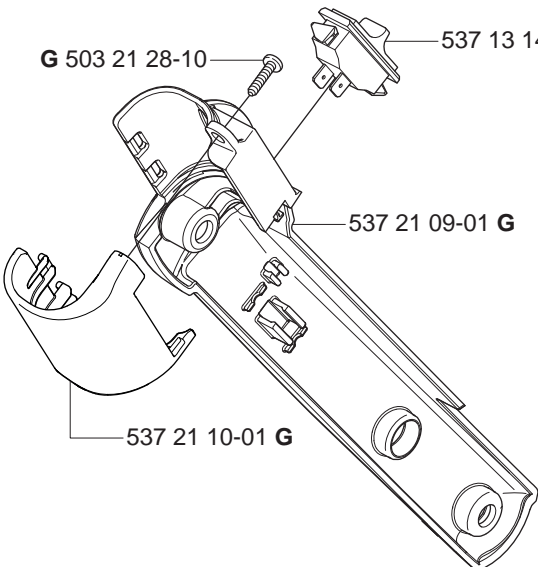
**537 21 29-01**



**537 21 28-01**

**G 503 21 28-10**

**537 13 14-02 G**

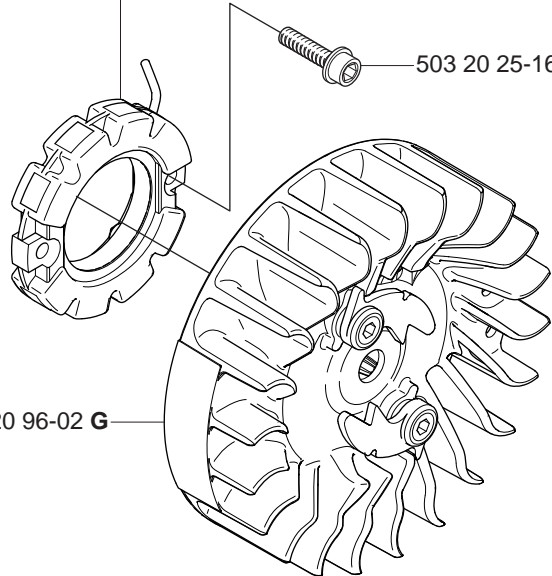


**537 21 09-01 G**

**537 21 10-01 G**

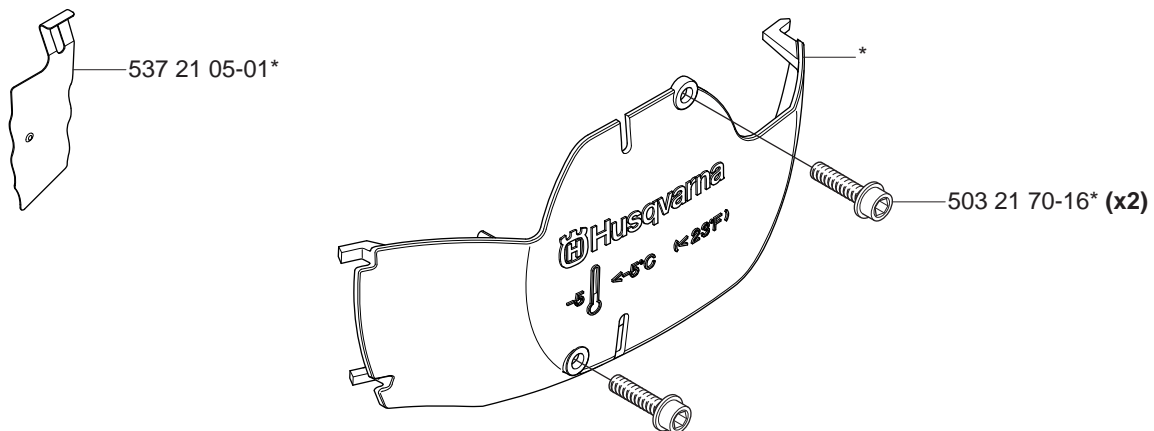
**537 21 34-01 G**

**503 20 25-16 G (x2)**



**\*compl 537 20 96-02 G**

**R** WINTER KIT  
\*compl 537 21 24-01



**S** Tillbehör  
Accessories  
Zubehöre  
Accessoires  
Accesorios  
\*compl 503 55 85-01

